 <p>United States Environmental Protection Agency Washington, DC 20460</p> <h2 style="text-align: center;">Dioxins/Furans Report</h2>	<p><i>Form Approved</i> <i>OMB No. 2070-0054</i></p>		
<p>When completed, send this form to:</p> <p style="text-align: center;"><b>Document Control Office (7407)</b>  <b>Information Management Division</b>  <b>Office of Pollution Prevention and Toxics</b>  <b>Environmental Protection Agency</b>  <b>1200 Pennsylvania Ave., NW</b>  <b>Washington, DC 20460</b></p>	<p><b>For Agency Use Only</b></p> <hr/> <table border="1" style="width: 100%; border-collapse: collapse;"> <tr> <td style="width: 50%;">Document Control Number</td> <td style="width: 50%;">Docket Number</td> </tr> </table>	Document Control Number	Docket Number
Document Control Number	Docket Number		

### Part I – General Information

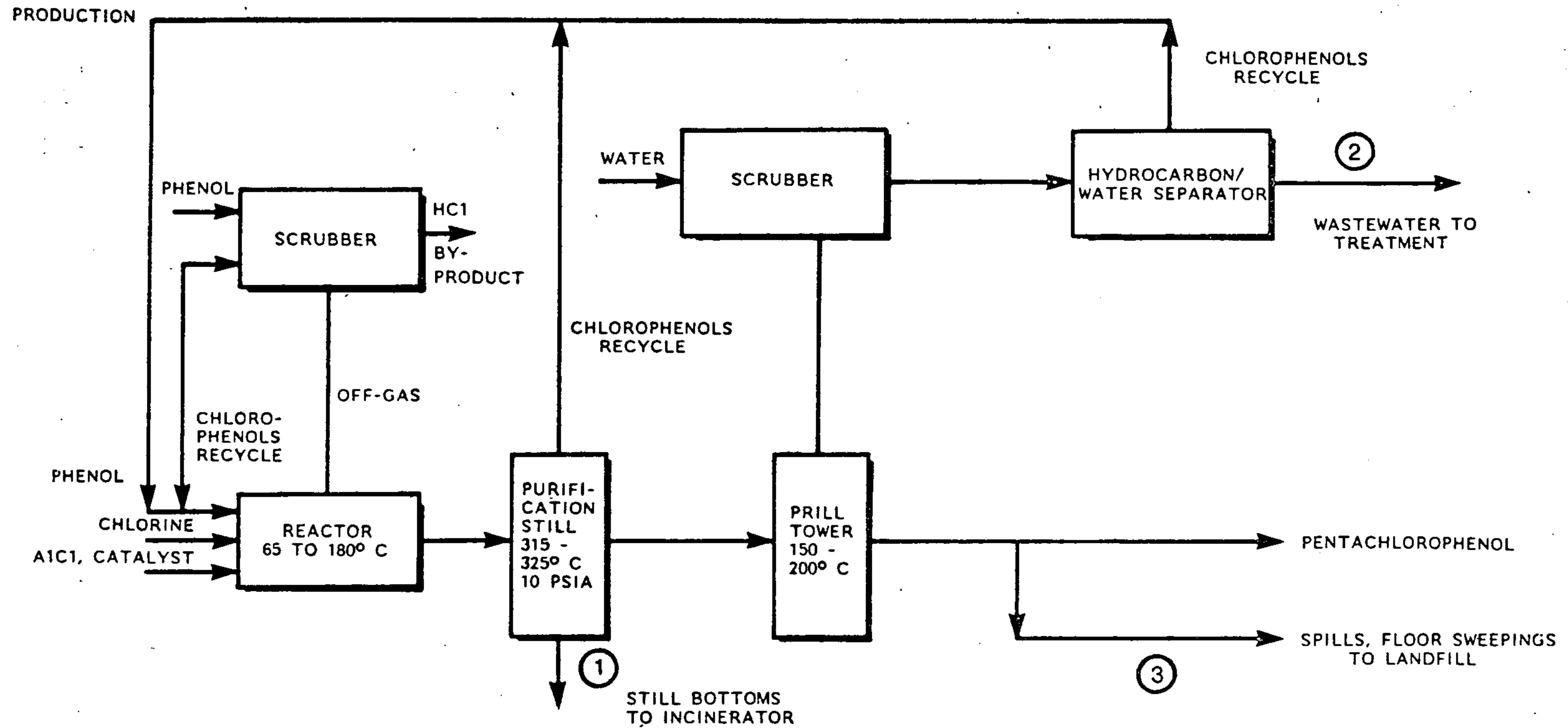
<b>Section A – Submitter Identification</b>	<b>Confidential</b>
<i>Mark (X) the "Confidential" box next to any subsection you claim as confidential.</i>	
<p><b>1a. Person Submitting Notice</b></p> <p>Name of authorized official _____ Title _____</p> <p>Company _____</p> <p>Mailing address (number and street) _____</p> <p>City, State, and ZIP Code _____</p>	<input type="checkbox"/>

<b>Section B – Chemical Identity Information (Use a separate form for each chemical reported.)</b>	
<i>Mark (X) the "Confidential" box next to any subsection you claim as confidential.</i>	
<p><b>1. Chemical name and CAS Registry Number</b></p> <p>_____</p>	<input type="checkbox"/>

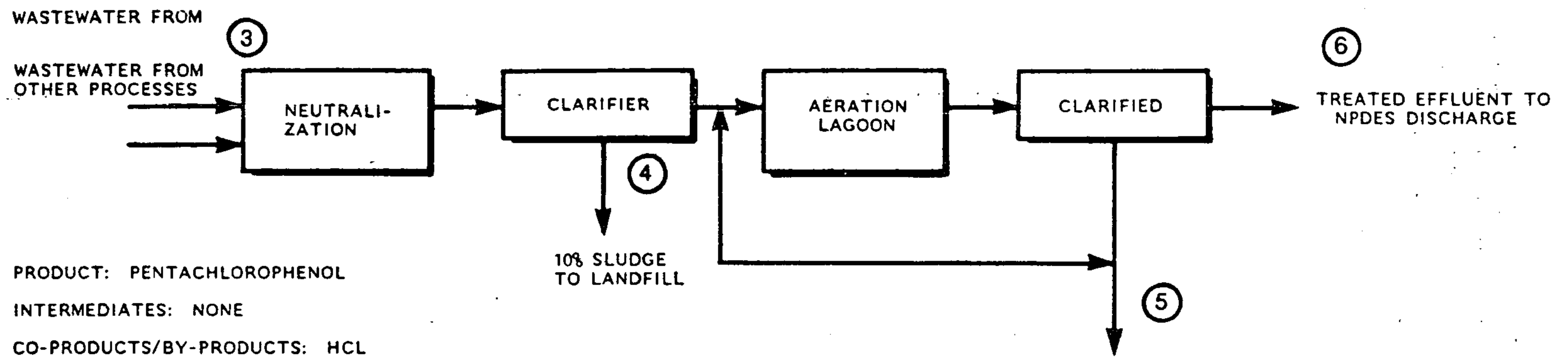
### Part II – Process and Release Information

<b>Section A – Flow Diagram</b>	
<i>Mark (X) the "Confidential" box next to any subsection you claim as confidential.</i>	
<p>Complete this section for each unit process. Provide a general process block flow diagram that identifies major unit operations and treatment processes and indicate the types and points of release of byproducts and residuals. (See example I attached.)</p> <p>(1) Include intermediates, coproducts and byproducts produced by the process.</p> <p>(2) Provide a block for each major unit operation (e.g., reactor, washer, filtration, air emission control, aeration lagoon, etc.) in the production process and in the residuals management process.</p> <p>(3) Identify process input such as raw materials, reagents, and solvents by chemical or common name and CAS number, and indicate the point of introduction with arrows.</p> <p>(4) For each unit operation in which the temperature is not ambient, specify temperature or temperature range in each block of the flow diagram.</p> <p>(5) Specify operating pressure or pressure range in each block of the flow diagram for each unit operation in which the pressure is not atmospheric.</p> <p>(6) Identify the composition of the reaction vessel wherever one is used (e.g., stainless steel, glass-lined).</p> <p>(7) Number all points in the flow diagram from which the chemical substance will be released into the environment. (See example I)</p> <p><input type="checkbox"/> Mark (x) this box if you attach a continuation sheet.</p>	<input type="checkbox"/>

### EXAMPLE I - PROCESS BLOCK FLOW DIAGRAM



### TREATMENT



PRODUCT: PENTACHLOROPHENOL  
 INTERMEDIATES: NONE  
 CO-PRODUCTS/BY-PRODUCTS: HCL









# General Instructions

## EPA Form 7710-51, Dioxins/Furans Report

You must provide all information requested in this form to the extent that it is known to or reasonably ascertainable by you.

### Part I — General Information

You must provide the chemical identity of the chemical substance reported on, even if you claim the identity as confidential.

### Part II — Process and Release Information

You may need additional copies of part II, sections A and B if there are several manufacture operations that you will describe in the form. You should reproduce these sections as needed.

### Part III — Production, Import, and Use Information

You must provide production volume, percent of production used for each use category, and whether use is industrial, commercial or consumer. Also included is a copy of any hazard warning and a report of occupational exposure. Copies may be made of any part of the form if additional space is needed.

### Part IV — List of Attachments

You should attach additional sheets if you do not have enough space on the form to answer a question fully. In part IV, list all attachments you include with the form.

### Optional Information

You may include with the form any information that you want EPA to consider in evaluating the substance.

### Confidentiality Claims

You may claim any information in this form as confidential. To assert a claim on the form, mark (x) the "Confidential" box next to the information that you claim as confidential. To assert a claim in an attachment, circle or bracket the information you claim as confidential.

### A. General Instructions

Complete the form using a typewriter or by printing legibly in black ink. All information must be in English. Provide all information requested on the form to the extent that you know or can reasonably ascertain it. You may attach continuation sheets to any subsection or item on the form. Mark (x) the appropriate box on the form if you attach continuation sheets.

The use of the term "manufacture" in this form includes both manufacture and import. Manufacturers and importers must fully comply with the information requirements set forth in the Polyhalogenated Dibenzo-p-dioxins/Dibenzofurans Testing and Reporting Requirements Rule. However, importers are not required to submit any data under section 8(a) of TSCA which relates solely to exposure to humans or the environment outside the United States.

Any manufacturer or importer using this form may photocopy the form, sections of the form, or these instructions as frequently as needed.

### B. Certification

The official named in Part I, section A of the form, as the person submitting the notice, must sign the certification on page 6 of the form. This official is responsible for the truth and accuracy of each statement in the certification.

### C. Asserting Confidentiality Claims

A manufacturer or importer may assert a claim of confidentiality for any information submitted to EPA on this form. To assert confidentiality claims for specific information on the form (e.g., submitter identity, process data, or use information), mark (x) in the "Confidential" box on the form located to the right of the information. Marking these boxes will provide a quick reference for EPA to determine what information is confidential, thus aiding proper treatment of confidential business information.

### Part I — General Information

#### Section A — Submitter Identification

*Person submitting notice* — Enter information on the official who signed the general certification on page 6.

#### Section B — Chemical Identity Information

*Chemical Name and CAS Registry Number* — List the common name and Chemical Abstracts Registry number, if available, for the chemical on which you are reporting:

### II. Process and Release Information

#### Section A — Flow Diagram

*Flow diagram* — Submit a block flow diagram for each major unit operation and treatment process involved in manufacturing the chemical on which you are reporting. Include the following information:

- (1) identify the product process, and chemical intermediates, coproducts and byproducts produced by the process;
- (2) provide a block for each major unit operation (e.g., reactor, washer, filtration, air emission control, aeration lagoon, etc.) in the production process and in the residuals management process;
- (3) identify all process input such as raw materials, reagents, solvents, etc. by chemical or common name and CAS number, and indicate the point of introduction with arrows;
- (4) for each unit operation in which the temperature is not ambient, specify temperature or temperature range in each block of the flow diagram;
- (5) specify operating pressure or pressure range in each block of the flow diagram for each unit operation in which pressure is not atmospheric;
- (6) identify the composition of the reaction vessel wherever one is used;
- (7) number all points in the flow diagram from which the chemical substance will be released into the environment. See the example provided.

## Section B — Environmental Release and Disposal

**Column (1)** — For each release point indicated in the flow diagram (part II, section A), enter the corresponding number.

**Column (2)** — Estimate the amount of the chemical (in kg/day for continuous operations or kg/batch for batch operations) that will be released from the release point before entering control technology. Base your estimate on your maximum 12-month production volume.

**Column (4)** — Enter the medium (air, water, land) into which the release stream discharges (whether or not control technology is used).

**Column (5)** — For releases to the air and water, describe the type of technology used to control the release of the chemical. Examples of control technologies include carbon filter, scrubber, and biological treatment (primary, secondary, etc.). Give as complete a description as possible. Enter "none" if no control technology is used and the substance is released directly to the environment. For disposal on land, describe the landfill site construction (including liners) and handling procedures. Describe landfill containers.

**Column (7)** — Mark (x) the appropriate box and/or specify other destinations of water releases.

**Columns (3) and (6)** — Note that you must make separate confidentiality claims for the release number and amount of chemical substance released and other release and disposal information.

### Part III — Production, Import, and Use Information

#### A. Production Information

**Production volume** — Report the production volume for the past 12 months of production. Also report the maximum production volume for any consecutive 12-month period during the past 3 years of manufacture. Provide this information in kilograms. Include in your report the amounts produced by persons under contract to you. If part of the amount manufactured is for export, include this amount in your reports.

#### B. Use Information

**Column (1)** — Identify each possible category of use of the chemical substance by describing its function and application. "Function" is related to the inherent physical and chemical properties of the substance (e.g., degreaser, catalyst, plasticizer, ultraviolet absorber). "Application" refers to the use of the substance in particular processes or products (e.g., a degreaser may be used for cleaning of fabricated metal parts). Following are some examples of how you should describe categories of use:

- a disperse dye carrier for finishing polyester fibers
- a cross-linking agent for epoxy-like coatings for metal surfaces
- a flame retardant for surface application on cotton apparel, textile home furnishings, and exterior canvas products
- a surfactant in automobile spray wax
- a colorant for paper and other cellulose

**Column (3)** — Report the percent of the total production volume during the past 12 months manufactured for each category of use.

**Column (5)** — Estimate the weight percent of the chemical substance contained in any formulated mixture, suspension, emulsion, solution, or gel associated with each category of use as manufactured for commercial purposes at sites under your control. Where the substance is distributed from your site neat, enter N/A for not applicable.

For example:

Category of Use	Formulated Product as Manufactured	Percent of Chemical Substance
Cross-linking agent for epoxy-type coatings for metal surfaces	none; distributed neat	N/A
Flame retardant for cotton apparel	none; distributed neat	N/A
Surfactant in automobile spray wax	spray auto wax (suspension)	4
Colorant for paper and other cellulose	colorant (solution)	55

**Column (7)** — Mark (x) to indicate if the category of use is site-limited. Also mark (x) to indicate whether the use is for industrial, commercial, and/or consumer use as defined below. Mark more than one box, if appropriate. For example, a surfactant in an automobile wax may have a consumer use in liquid wax, a commercial use in auto washes, and an industrial use by automobile manufacturers.

**Site-limited:** The substance is used only on the contiguous property unit where it is manufactured and not intentionally distributed outside that site except for waste disposal. This includes all factories, storage space, and warehouses at the site. An example would be an intermediate which is further reacted on-site to produce a chemical product.

**Industrial:** The chemical substance or products containing the substance are used only at the site of other manufacturers or processors, e.g., textile dyeing, paint formulation, use of a resin to manufacture an article.

**Commercial:** The chemical substance or products containing the substance are used by a commercial enterprise providing a consumer service, e.g., use by commercial dry cleaning establishments, use by painting contractors, or use by roofers in commercial building construction.

**Consumer:** The chemical substance or products containing the substance are used by private individuals in or around a residence, or during recreation, or for any other personal use or enjoyment, e.g., automotive polish, dyed wearing apparel, household cleaners, etc.

**Columns (2), (4), (6), (8)** — Note that you must make separate confidentiality claims for the description of the category of use, the percent of production devoted to each category, and other use information. The information in this section is used to evaluate potential exposure of the chemical. If you wish to provide any additional information which would assist in this analysis, it may be submitted as optional information.



### **C. Hazard Information**

Include with the form a copy or reasonable facsimile of any hazard warning statement, label, material safety data sheet, or other information which is provided to any person regarding protective equipment or practices for the safe transport, use or disposal of the chemical. Identify any copies of hazard information or warnings that you attach in Part IV, List of Attachments.

### **D. Occupational Exposure Information**

*Column (1)* — Describe each specific activity in the operation during which workers may be exposed to the chemical. Such activities may include charging reactor vessels, sampling for quality control, transferring materials from one work area to another, drumming, bulk loading, changing filters, and cleaning equipment. Activities must be described even if workers wear protective equipment or clothing. (Recommended protective equipment should be included as part of Hazard Information).

*Column (3)* — Indicate the physical form of the substance at the time of exposure, e.g., solid (crystals, granules, powder, dust), liquid (solution, paste, slurry, emulsion, mist, spray), gas (vapor, fume), even if workers wear protective equipment.

*Column (5)* — Report the maximum number of workers involved in each specific activity, based on the reported maximum 12-month production volume.

*Column (7)* — Enter the maximum duration that any one worker will engage in the activity in hours/day, e.g., 8 hours/day.

*Column (8)* — Enter the maximum duration that any one worker will engage in the activity in days/year, based on the reported maximum production volume, e.g., 200 days/year.

*Columns (2), (4), (6), (9)* — Note that you must make separate confidentiality claims for the description of worker activity, physical form of the chemical, number of workers exposed, and duration of exposure.

### **Part IV — List of Attachments**

Attach any continuation sheets for sections of the form and any optional information, after the last page of the form. Clearly identify the attachment and the section to which it relates. Number consecutively the pages of the attachments. Enter the total number of pages in the form on the last line of the List of Attachments. Mark (x) the "Confidential" box next to any attachment you claim as confidential. See the section of these instructions titled Confidentiality for guidance on claiming any information confidential.

*Paperwork Reduction Action Notice: The public reporting and record keeping burden for this collection is estimated to average about 30 hours per response, including the time for reviewing instructions, searching existing data sources, gathering and maintaining the data needed, and completing and reviewing the collection of information. Send comments regarding this burden estimate or any other aspect of this collection of information, including suggestions for reducing the burden, to Director, Collection Strategies Division (Mail Code 2822T), U.S. Environmental Protection Agency, Washington, DC 20460. Include the OMB control number in any correspondence, but do not submit the form or report to this address. The actual information or form should be submitted in accordance with the instructions accompanying the information or form, specified in the corresponding regulation.*