



SAMKNOWS PERFORMANCE MONITORING UNIT

INSTALLATION INSTRUCTIONS

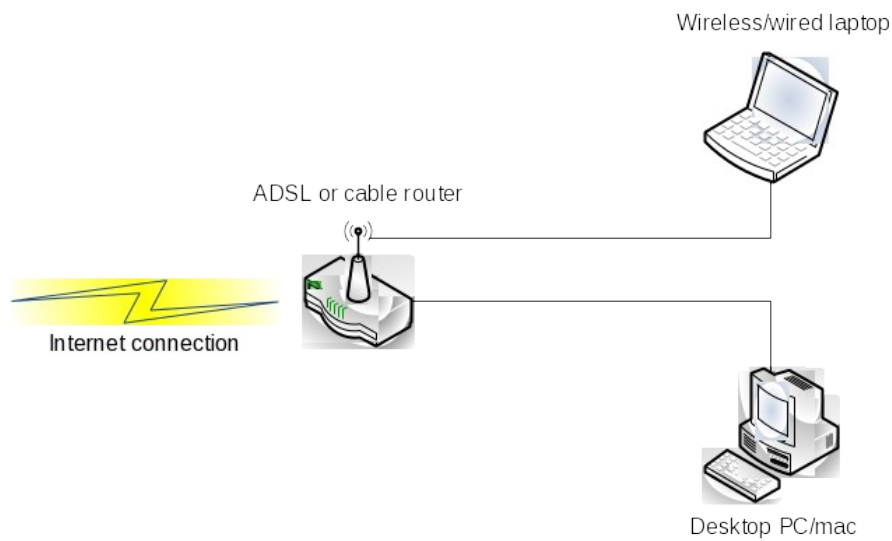
Installation of the monitoring unit is straightforward and proceeds as follows:

1. Check to ensure you have the necessary parts; which should include:
 - 1x Performance monitoring unit (a black Linksys device)
 - 2x Antennas
 - 1x Network cable
 - 1x Power supply
2. Connect antennas to the back of the monitoring unit. (These are used to passively monitor nearby wireless networks for traffic, to ensure no tests are run when the line is active - We do not monitor your traffic)
3. Connect one end of the network cable to a spare port on your router. Connect the other end to the port marked "INTERNET" on the rear of the unit.
4. Disconnect any other wired network devices from your home ADSL / cable router. Plug them into the ports marked 1-4 on the rear of the performance monitoring unit. (Please note: the USB port is non functional)
5. Connect the power cable to the performance monitoring unit. It should power on immediately.
6. The power light will flicker for approximately 30 seconds and then stay on solidly. The "planet" light on the front of the unit should also be lit.
7. That's it!

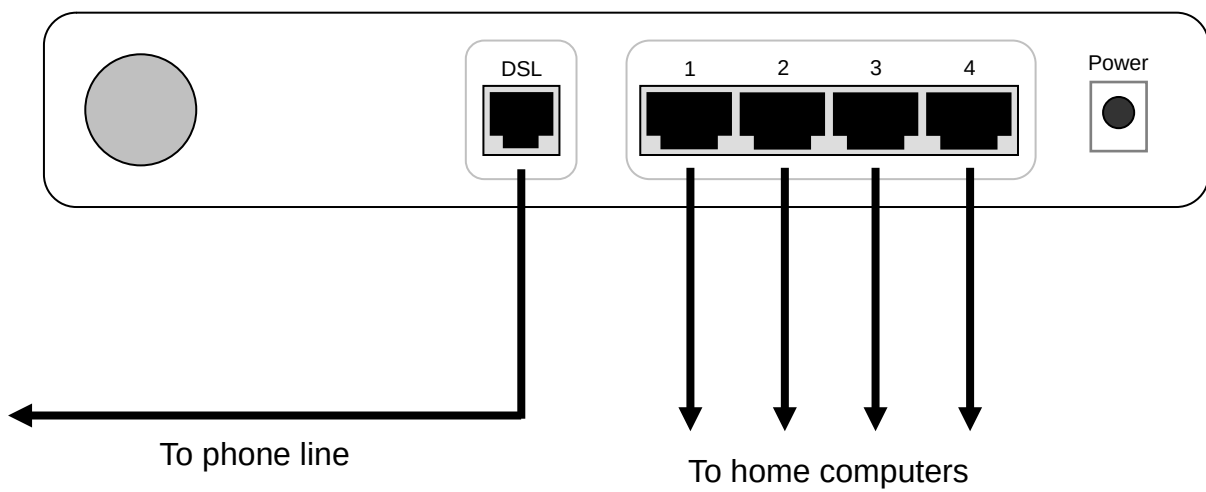
If you have any problems or queries, please contact us at fcc@samknows.com.

NETWORK SCHEMATIC

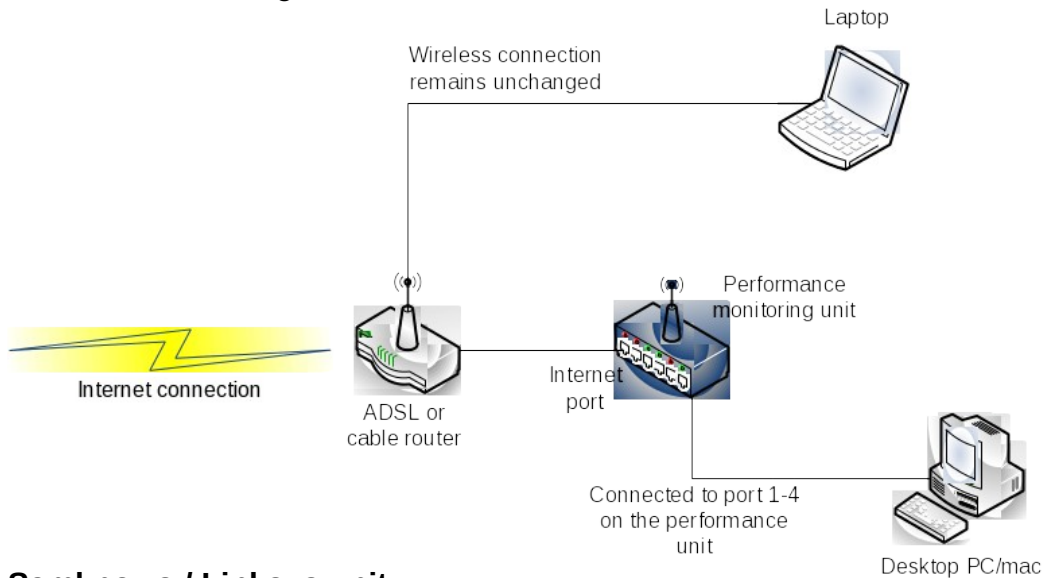
Your existing home network will probably look similar to the following:



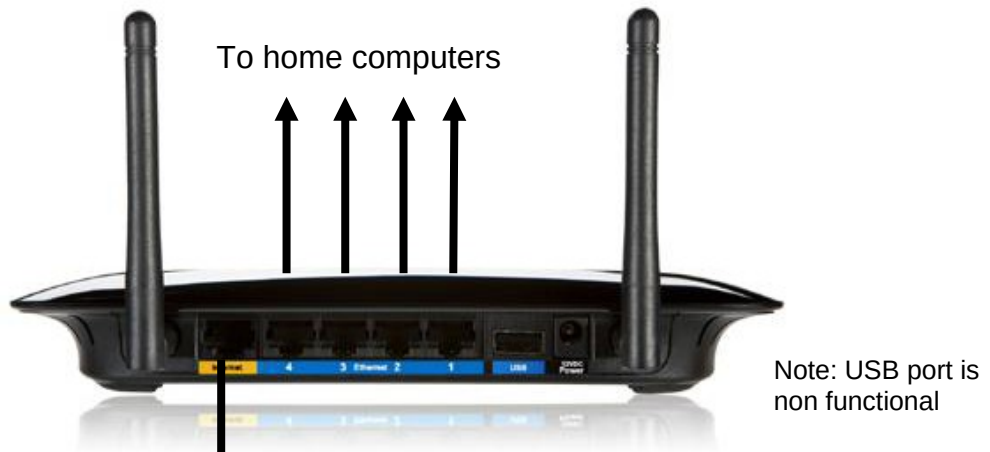
Your existing router



Assuming you follow steps 2 and 3 in the above instructions, your network will now look like the following:



Samknows / Linksys unit



Your existing router

