

Appendix A

National Survey of Crime Victimization Companion Study - Pilot

Summary of Pilot Results

Authors

J. Michael Brick
Sharon Lohr
W. Sherman Edwards
Pamela Giambo
Pam Broene
Douglas Williams
Sarah Dipko

March 12, 2013

Prepared for:
Bureau of Justice Statistics
Washington, D.C.

Prepared by:
Westat
1600 Research Boulevard
Rockville, Maryland 20850-3129
(301) 251-1500

Table of Contents

Chapter		Page
1	Design and Objectives	1-1
	1.1 Pilot Test Sample Design.....	1-5
	1.2 Pilot Telephone Instrumentation	1-6
	1.3 Additional Experiment – Test of Survey Name.....	1-8
2	Data Collection Results	2-1
	2.1 Counts of Yield	2-1
	2.2 Level of Effort.....	2-5
	2.3 Response Rates.....	2-6
	2.4 Summary of Data Collection Results	2-10
3	Results of Other Experiments	3-1
4	Cost Comparisons	4-1
	4.1 Mail Costs.....	4-2
	4.2 Telephone Costs.....	4-4
	4.3 Relationship of Mail and Telephone Costs	4-8
	4.4 Effect of Changing Parameters.....	4-9
	4.5 Comparison with RDD Costs.....	4-10
5	Questionnaire Assessment	5-1
	5.1 Overview and CATI Instrument Timing	5-1
	5.2 Item Nonresponse and Response Frequencies	5-3
	5.3 Interviewer Debriefing.....	5-6
	5.4 Behavior Coding and Monitoring.....	5-9
6	Data Processing	6-1
	6.1 Crime Classification Process	6-1
	6.2 Sensitivity Analysis.....	6-4
	6.3 Recommendations	6-6

<u>Chapter</u>		<u>Page</u>
7	Weighting.....	7-1
	7.1 Household Weights	7-2
	7.1.1 Household Base Weights.....	7-2
	7.1.2 Household Nonresponse Adjustments	7-3
	7.1.3 Household Poststratification	7-4
	7.2 Person Weights.....	7-5
	7.2.1 Person Base Weights	7-6
	7.2.2 Person Weight Raking.....	7-6
	7.2.3 Person Weight Trimming	7-6
	7.3 Victimization and Incident Weights.....	7-7
	7.4 Variance Estimation	7-7
8	Estimation Results.....	8-1
	8.1 Victimization Rates: Comparison with National NCVS Estimates and Estimates from the Chicago Police Department.....	8-1
	8.1.1 Why Might Estimates from the NCVS, the CS, and the City of Chicago be Expected to Differ?.....	8-1
	8.1.2 Property Victimization.....	8-4
	8.1.3 Violent Victimization	8-8
	8.2 Effectiveness of Mail Screener for Predicting NCVS Victimization.....	8-12
	8.3 Nonresponse Bias Assessment	8-15
	8.4 Analysis of Interviewer Effects.....	8-19
	8.5 Recall Effects	8-20
	8.6 Summary and Recommendations	8-21
9	Summary and Next Steps	9-1
	9.1 Lessons from the Pilot Study	9-1
	9.2 Objectives for Further Evaluation	9-4
	9.3 Suggested Approach.....	9-6

<u>Appendices</u>	<u>Page</u>
A Mail Screeners	A-1
B Variation Between Core NCVS Instruments and the Westat Pilot	B-1
C Results from Behavior Coding	C-1
D Behavior Coding Questions Reviewed With Recommendations	D-1
E Census Flow Chart of TOC Codes.....	E-1
F Type of Crime Specifications.....	F-1
G Description of the Type of Crime Codes	G-1
H Census Instructions for Using the Automated NCVS Editing and Coding Blaise Instrument.....	H-1
I How To Use the Weights.....	I-1

Tables

1-1 Comparison of Approach 1 and Approach 2 methodologies used in the Pilot Data Collection.....	1-2
1-2 Expected pilot sample performance, Approach 1	1-7
1-3 Expected pilot sample performance, Approach 2.....	1-7
2-1 Number of sampled and completed sampled addresses, by approach.....	2-2
2-2 Percentage completing household screener of those sent for telephone data collection, by approach and telephone match status.....	2-3
2-3 Number of telephone numbers sent for telephone data collection, by approach and phone type.....	2-4
2-4 Cases to complete ratio, by approach.....	2-5
2-5 Estimated response rates, by approach	2-7

<u>Tables (continued)</u>	<u>Page</u>	
2-6	Estimated NCVS-1 household response rates, by approach and characteristic.....	2-8
2-7	Estimated Approach 2 mail response rates, by characteristic.....	2-9
4-1	Approach 1 mail screener costs.....	4-2
4-2	Approach 2 mail screener costs.....	4-4
4-3	Approach 1 telephone and total costs.....	4-5
4-4	Approach 2 telephone and total costs.....	4-7
5-1	Interviewer and respondent behavior codes used in NCVS-CS pilot.....	5-10
7-1	General guide to using the household, person, victimization and incident weights.....	7-7
8-1	Estimated property victimization rates, per thousand households; 95 percent confidence intervals are given below the estimates. The last two columns give the ratios of the CS victimization rates to the NCVS victimization rates from the Chicago CBSA.....	8-6
8-2	Estimated property victimization rates, per thousand households, for geographic poststrata; 95 percent confidence intervals are given below the estimates.....	8-7
8-3	Estimated Violent Victimization Rates, per thousand persons; 95 percent confidence intervals are given below the estimates.....	8-9
8-4	Estimated violent victimization rates, per thousand persons, for geographic poststrata; 95 percent confidence intervals are given below the estimates.....	8-9
8-5	Estimated violent victimization rates, per thousand persons, for demographic domains; 95 percent confidence intervals are given below the estimates.....	8-10
8-6	Estimated rates of persons with at least one violent victimization, per thousand persons, for geographic poststrata; 95 percent confidence intervals are given below the estimates.....	8-11

<u>Tables (continued)</u>	<u>Page</u>
8-7 Estimated number of persons with at least one violent victimization, per thousand persons, for demographic domains; 95 percent confidence intervals are given below the estimates	8-12
8-8 Cross-classification of reported crimes for households on mail screener and NCVS telephone screener interview.....	8-13
8-9 Sensitivity and specificity of the Approach 2 Mail Screener for NCVS crimes.....	8-13
8-10 Possible reasons that households reporting crimes on the Approach 2 mail screener did not have NCVS-2 victimization reports	8-14
8-11 Households reporting victimization in the telephone interview but not in the mail screener.....	8-14
8-12 Comparison of NCVS-CS Pilot household interview respondents with population	8-16
8-13 Comparison of NCVS-CS Pilot person interview respondents with population	8-17
8-14 Contingency tables of reporting at least one crime on NCVS-CS Pilot telephone questionnaire by refusal conversion status.....	8-18
8-15 Contingency tables of reporting at least one violent crime by refusal conversion status.....	8-18
8-16 Estimated percentages of victimizations reported to police, by type of crime.....	8-19
 <u>Figures</u>	
1-1 Flow chart illustrating Approach 1 Methodology.....	1-3
1-2 Flow chart illustrating Approach 2 Methodology.....	1-4
7-1 Crime rates from Chicago Police Department.....	7-5
8-1 Numbers of incidents reported by months prior to interview	8-21

Chapter Highlights and Key Findings

- Goal to identify a low-cost methodology to produce local area estimates based on the NCVS instrument.
- Use of address-based sampling with telephone administration of the NCVS instruments.
- Two approaches tested in the Pilot study: one using a brief mail survey to obtain telephone numbers, a second using a longer mail survey to identify households at higher risk of victimization.

The Bureau of Justice Statistics (BJS) and Westat have designed a Companion Survey (CS) to the National Crime Victimization Survey (NCVS) as a way of producing sub-national estimates using a more cost-effective approach than the core NCVS. The first data collection phase of the NCVS-CS was a pilot test in the Chicago-Naperville-Joliet, IL-IN-WI MSA. The pilot tested two data collection approaches, both using an address-based sample (ABS) design. Approach 1, a “telephone number harvest,” screened by mail only those addresses for which we were unable to obtain a valid telephone number from directory services; the purpose of this mail screener was primarily to obtain a telephone number. Approach 2, or the “two-phase ABS hybrid,” screened all selected addresses by mail with a goal of oversampling households likely to include a victim of a crime. Approach 2 also included questions that might be used to support model-based small-area estimates (SAE). For both approaches, we developed a telephone version of the core NCVS interview with sampled households, including a household informant and one or two randomly selected adults. Table 1-1 shows differences in design between the Companion Survey and the core NCVS, and between Approaches 1 and 2; Figures 1-1 and 1-2 are flow chart summaries of Approaches 1 and 2.

Table 1-1. Comparison of Approach 1 and Approach 2 methodologies used in the Pilot Data Collection

Design Elements	NCVS	Companion Survey	
		Approach 1	Approach 2
Sample			
Design	Panel	Cross-section	
Scope	National	MSA(s)	
Frame	Area	ABS	
Clustering	Multi-stage geographic	None	
Household (HH) subsampling	None	None	Matched addresses not responding to mail @ 50%
Within-HH selection	All adults in HH; All adolescents aged 12-17	Up to 2 adults in HH; No adolescents	
Data Collection			
Mode	In-person/telephone	Mail/telephone	Telephone only for matched addresses
Interviewers	Census FRs	None/Westat telephone	
Respondent incentive	None	None	
Instruments			
Mail screener	None	Unmatched addresses only; Neighborhood questions plus telephone number	All addresses; Approach 1 plus victimization and correlates
Household enumeration	Control Card, household informant	Adapted for telephone	
Victimization screener	NCVS-1, household informant	Adapted for telephone; some items dropped	
Victimization details	NCVS-1, other sampled person(s)	Adapted for telephone	
	NCVS-2 (Incident Report)	Adapted for telephone	

Figure 1-1. Flow chart illustrating Approach 1 Methodology

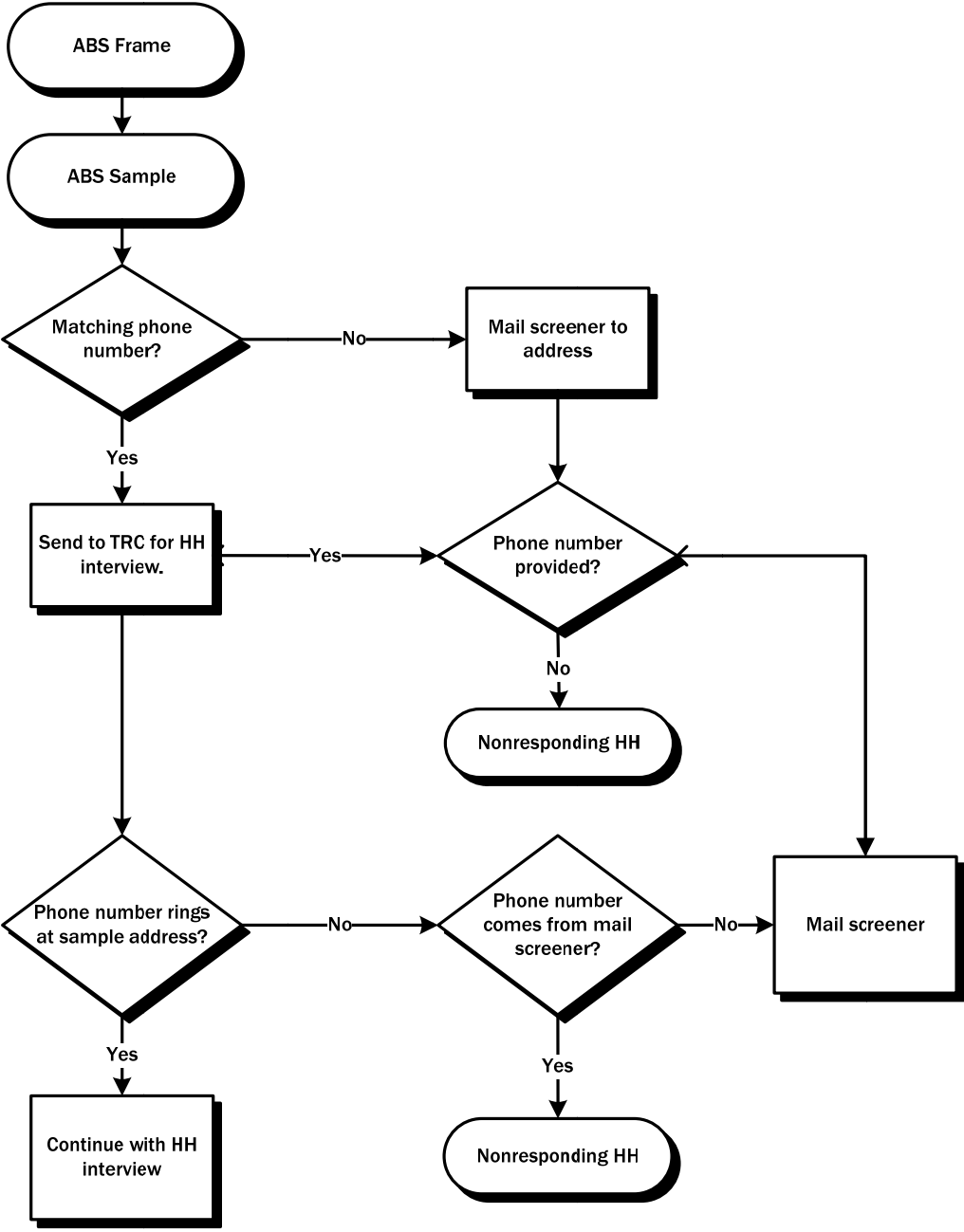
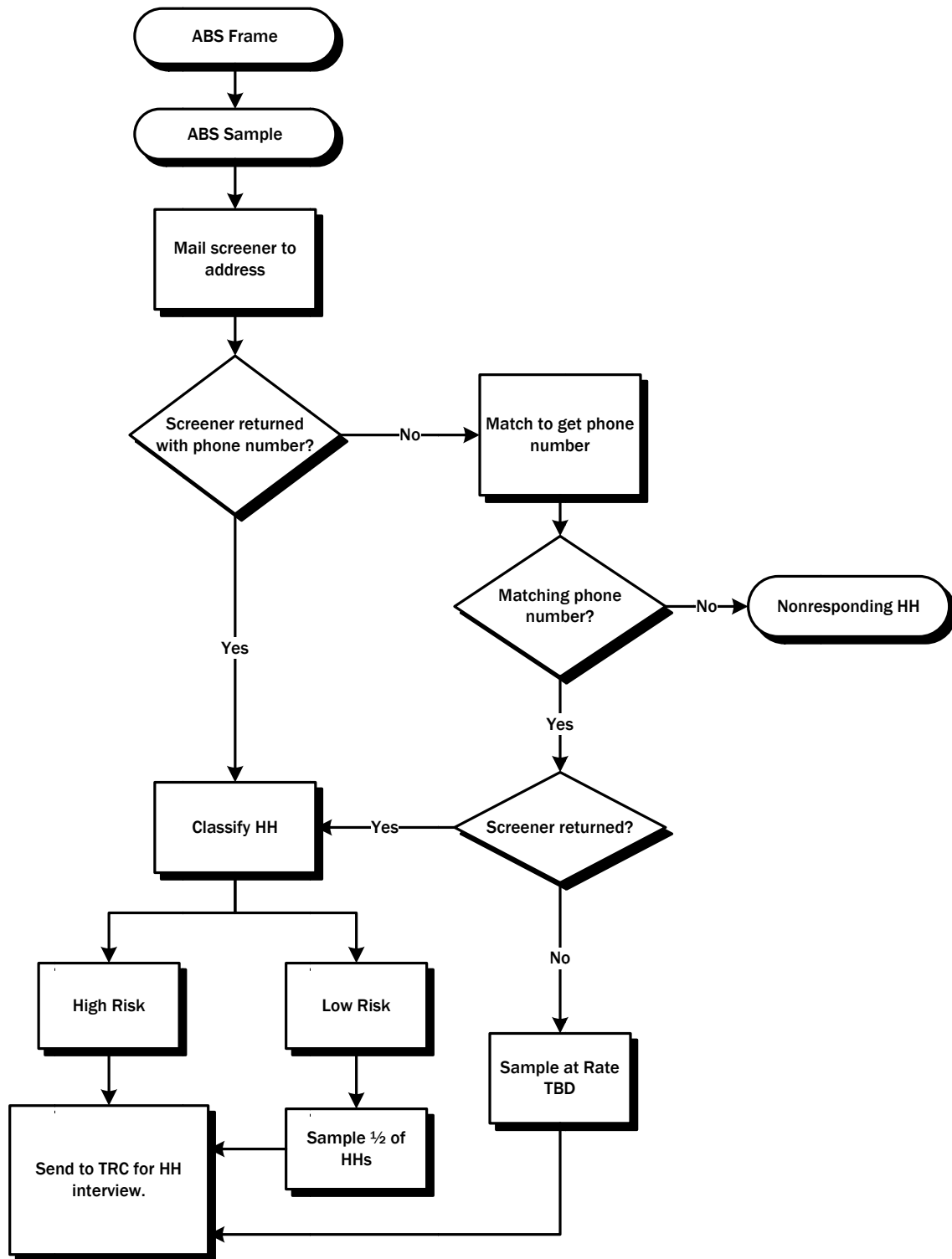


Figure 1-2. Flow chart illustrating Approach 2 Methodology



The goals of the pilot were to:

- Assess the viability of ABS in obtaining sub-national estimates in a cost-effective manner.
- Identify whether Approach 1 or Approach 2 provides more information for producing blended estimates.
- Identify which approach provides more information for small area estimation.
- Analyze the effectiveness of the Approach 2 screener at identifying households with a victim.
- Determine optimal subsampling fractions for a subsequent full-scale test.

1.1 Pilot Test Sample Design

The design for both approaches started with a stratified simple random sample of addresses selected from the ABS frame in the Chicago-Naperville-Joliet, IL-IN-WI MSA. The ABS frame is a file of residential addresses that is maintained by a vendor, based on the United States Postal Service (USPS) Computerized Delivery Sequence File (CDSF). Two strata were created, one for the central city of Chicago and one for the rest of the MSA. The sampling rate in the central city was 1.5 times the rate in the remainder of the MSA to increase the expected yield of victims of crime and improve the ability to make comparisons with the Core NCVS. The sample was randomized within stratum to the two principal experimental conditions.

In Approach 1, addresses were sampled from the ABS frame and immediately matched by a vendor to identify telephone numbers associated with the addresses. Those with matching telephone numbers were sent an advance letter, and sent for a telephone interview. If no telephone number was available for a sampled address, then a mail screener was sent to the address. If a matched telephone number proved to be out of service or not associated with the sampled address, we also sent a mail screener to the address. The primary purpose of the mail screener in this approach was to obtain a telephone number. To increase interest in the survey, we included a limited number of questions on perceptions of the neighborhood and of emergency services. Those households that responded and provided a telephone number were sent (back) for telephone interviewing.

In Approach 2, all addresses sampled from the ABS frame were also matched with telephone directories. However, both matched and unmatched addresses were sent a mail screener. The

screeners included the same questions as the Approach 1 screener, as well as a few questions on victimization experiences and characteristics associated with a higher likelihood of victimization. These items were used to classify households as either High Risk (likely to have experienced victimization in the past year) or Low Risk (unlikely to have experienced victimization). The intent was to sample households classified as High Risk with certainty and as Low Risk at a rate of 1/2. Those selected would be sent for the telephone interview. Non-responding households with matched telephone numbers were also to be sampled at an initial rate of 1/2 for telephone interviewing.

Both samples were released in replicates for mailing and for telephone interviewing if appropriate. The purpose of the replicates was to allow adjustments to the subsampling rates if needed to achieve target numbers of completed interviews. In practice, lower-than-expected response to the mail survey resulted in abandoning the subsampling by risk category.

As part of the telephone interview, two adults were randomly sampled from households with three or more adult residents. If there were only one or two adults, they were sampled with certainty.

Pilot sample sizes and expected sample performance for the two approaches are summarized in Tables 1-1 and 1-2.

1.2 Pilot Telephone Instrumentation

The telephone interview includes three separate instruments: a household screener, a victimization screener asked of each sampled person, and an incident report asked about each reported victimization. These correspond to the core NCVS Control Card, NCVS-1, and NCVS-2, respectively.

The household screener includes a household roster and demographic questions from the NCVS Control Card, and standard questions to identify whether an eligible household at the sampled address had been reached. It is conducted with an adult (18 or older) living in the household. At the end of the household screener, the sampled adults were asked to respond to the victimization screener (NCVS-1, minus questions on identity theft). The household screener respondent was asked to complete both the household and personal victimization questions, whether or not s/he was sampled. Any other sampled adult was asked to complete only the section of the victimization

screeener covering personal crimes. Following completion of each victimization screener, the respondent was asked to complete an incident report for each victimization mentioned. The incident report replicates the NCVS-2 as closely as possible in the telephone environment.

Table 1-2. Expected pilot sample performance, Approach 1

Sample components	Assumptions
Addresses sampled	12,500
Vacancy Rate	12%
Occupied households	11,000
Vendor phone number match rate	60%
Households matched for phone #	6,600
% of Vendor phone numbers that are valid	80%
Household screeners mailed	5,720
Households where interview attempted	6,996
Household interview response rate	35%
Expected household interview completes	2,449
Avg. # of adults sampled per household	1.706
Extended person interview response rate	75%
Expected extended person completes	3,134

Table 1-3. Expected pilot sample performance, Approach 2

Sample components	Assumptions
Addresses sampled	14,000
Vacancy Rate	12%
Occupied households	12,320
% of Household screeners returned with phone number	40%
Household screeners returned with phone number	4,928
% of household screeners returned with no phone number	5%
Household screener returned with no phone number	616
Vendor phone number match rate	50%
Household screeners completed using vendor phone number	308
Subsampling rate for screener nonrespondents	1 in 2
Household screener nonrespondents subsampled	1,694
Household screeners completed in High Risk Stratum (25%)	1,309
Household screeners completed in Low Risk Stratum (75%)	3,927
Subsampling rate for High Risk Stratum	1
Subsampling rate for Low Risk Stratum	1 in 2
Households subsampled in Low Risk Stratum	1,964
Households sent for telephone interview	4,967
Household interview response rate	50%
Expected household interview completes	2,483
Average #adults sampled per household	1.706
Extended person interview response rate	75%
Expected extended person interview completes	3,179

1.3 Additional Experiment – Test of Survey Name

In addition to testing the two different sampling approaches, we implemented a test of the Approach 2 mail screener to assess whether “localizing” the instruments would have any effect on response rates and response patterns. Half of the sample allocated to Approach 2 was randomly assigned to the localized version (which uses the term “Chicagoland” in the survey name and FAQs¹) and the remainder received a generic version of this instrument².

¹ The term “Chicagoland” was received favorably by cognitive interview subjects in both the city of Chicago and outlying suburbs.

² Since the Approach 1 instrument was only mailed to those without a matching telephone number only one version (local) of this instrument was used.

Chapter Highlights and Key Findings

- ABS sample was matched to telephone numbers using directory vendors. The match rate was lower than initially projected. In addition, fewer respondents to the mail survey provided a telephone number than anticipated.
- Response to the mail survey in Approach 2 was reasonable and could be further improved with additional mailings and a small incentive.
- Household level response to the telephone interview was low, with a sizeable number of households never answering the telephone. Once a household completed the screener, the person-level response was high for the screener respondent, but was low for other sampled adults.
- The tested approaches were essentially equivalent in overall weighted response rate.

This section presents the results of the pilot data collection yield (number of completed interviews) and response rates. Because the pilot was designed to test two different approaches, all of the results are given separately for Approach 1 and Approach 2. In the final section, we present the results of the secondary experiments.

2.1 Counts of Yield

Table 2-1 shows the number of sampled addresses and the outcomes from each stage of data collection by approach. As noted earlier, Approach 2 had a larger sample because only subsamples of (1) those identified as having low risk of reporting a victimization and (2) nonrespondents to the mail survey with a vendor-matched telephone number were to be followed up by telephone. The former subsampling was not carried out, so all returned mail screeners in Approach 2 with a phone number were sent for telephone data collection.

Table 2-1 shows that only about 40 percent of addresses were matched to telephone numbers, which was lower than expected; the fact that the rate in Chicago was much lower may be the norm for large metropolitan areas. The percentage of returned mail screeners differs by approach because the samples differed in the mix of matched and unmatched addresses (discussed below). About 74

percent of the returned mail screeners included a valid 10-digit telephone number. This rate was also lower than we expected; the difference may again be due to the location of the sample.

The next-to-last row of Table 2-1 shows that despite the larger sample, fewer Approach 2 cases were sent for telephone data collection because of the 50 percent subsampling of mail nonrespondents with a matched number. Finally, a higher percentage of Approach 2 cases than Approach 1 cases was completed by telephone; again, this difference is related to the subsampling.

Table 2-1. Number of sampled and completed sampled addresses, by approach

	Approach 1		Approach 2	
	Number	Percent	Number	Percent
Addresses sampled	12,500		14,000	
Telephone numbers matched	5,142	41%	5,572	40%
Sent a mail screener	7,638 ^a	61% ^a	14,000	
Completed mail screener	2,518	33%	5,419	39%
Telephone number reported in screener	1,847 ^b	73%	4,004	74% ^b
Sent for telephone data collection	6,909		6,012 ^c	
Completed household telephone screener	1,261	18%	1,350	22%

Source: 2012 NCVS Companion Survey Pilot

^a Includes vendor telephone matches that were not in service or for the sampled address

^b Excludes telephone numbers obtained too late to make calls

^c Includes subsample of mail nonresponse with vendor telephone numbers

To compare the Approach 1 and Approach 2 mail response, we restrict the sample to those cases without a matched telephone number, because these cases should have the same response propensity. There were 7,358 unmatched Approach 1 addresses sent the shorter Approach 1 mail screener. Of these, 33 percent were completed. For Approach 2, there were 8,428 unmatched addresses, of which 33 percent were completed using the longer mail screener. Thus, the two approaches were equally effective in obtaining mail responses for unmatched addresses.

The overall Approach 2 mail completion rate in Table 2-1 is higher than the Approach 1 rate because many fewer Approach 1 matched addresses were sent the screener. The rate for matched addresses in Approach 2 was 47 percent (2,630 of 5,572). The rate for matched addresses in Approach 1, those with “bad” telephone numbers, was 20 percent (57 of 280). (These numbers are not shown in the table.)

Table 2-2 presents more detail on results from the telephone follow-up, separately by approach and by whether there was a matched telephone number. The last row for each approach shows the

percentage of sampled addresses that completed the household screener, where the denominator is the number of cases sent for telephone follow-up. Comparing the results by approach, we see little difference for unmatched addresses (34 percent Approach 1 versus 33 percent Approach 2). There is a difference for the matched cases (13 percent Approach 1 versus 17 percent Approach 2), which is entirely due to subsampling Approach 2 mail screener nonrespondents.

Comparing the results by match status, the completion rate was twice as high for unmatched addresses as for matched addresses. However, the unmatched cases are only those returning a mail screener with a telephone number, so are the most cooperative part of the overall unmatched sample. We can compare household screener completion rates for matched mail respondents providing a telephone number (28 percent, data not shown in Table 2-2) with unmatched mail respondents (33 percent) in Approach 2. This result is somewhat surprising, since matched cases typically are more cooperative than unmatched cases.

Table 2-2. Percentage completing household screener of those sent for telephone data collection, by approach and telephone match status

	Total	Matched	Unmatched
Approach 1			
Sent for telephone data collection	6,909	5,142	1,767
With completed mail screener	1,824	57 ^a	1,767
Completed household screener			
Number	1,261	668	593
Percentage	18%	13%	34%
Approach 2			
Sent for telephone data collection	6,012	3,970	2,042
With completed mail screener	4,635	2,593	2,042
Completed household screener			
Number	1,350	684	666
Percentage	22%	17%	33%

Source: 2012 NCVS Companion Survey Pilot

^a Includes 12 completed screeners that did not provide a valid phone number.

As mentioned above, in Approach 2 nonrespondents to the mail survey with matched telephone numbers were subsampled for telephone follow-up. This process was not very successful, with only 83 of the 1,413 subsampled nonrespondents completing the household telephone screener interview. The latter number includes 63 addresses for which a mail screener was returned after the subsampling had occurred, of whom 5 completed the household screener on the telephone.

The most substantial difference between the two approaches was the type of phone number available for data collection. Table 2-3 shows the number and proportion of telephone numbers used in calling the households by approach and phone type (landline or cell). The rows show whether telephone numbers were obtained from the vendor match, the mail survey, or both. In Approach 1, the mail survey was sent only if there was no matched number or the matched number was nonworking or not associated with the sampled address. In Approach 2, when a mail survey was returned with a telephone number, that number was used for the telephone follow-up regardless of whether or not there was also a matched number. So, for the “both” rows, the numbers and proportions represent the telephone type of the number obtained in the mail.

Only 1 percent of numbers obtained by matching were for cell phones, because there is no equivalent of the White Pages available for cell phone numbers. The small percentage of matched cell phone numbers may have been landline numbers that households ported to cellular service. Consequently, Approach 1 had much lower percentage of cell numbers than Approach 2 of cell phone numbers sent for data collection as Approach 2 (16% and 27%, respectively). In terms completed household screeners, Approach 1 had 33 percent done on cell phones and Approach 2 44 percent.

Table 2-3. Number of telephone numbers sent for telephone data collection, by approach and phone type

	Approach 1		Approach 2	
	Landline	Cell	Landline	Cell
Total	5,780	1,129	4,407	1,616
Only number from match	5,062	35	2,002	15
Only number from mail	673	1,094	843	1,199
Number from match and mail	45	0	1,562	402
Percentage cell phones		16%		27%
Only number from match		1%		1%
Only number from mail		62%		59%
Number from match and mail		0%		20%

Source: 2012 NCVS Companion Survey Pilot

Another measure of yield or productivity is a statistic called the “cases to complete ratio,” which is defined as the number of sampled cases divided by the number of completed cases. The lower the ratio, the more efficient the data collection scheme. Table 2-4 shows the cases to complete ratio by approach, where a complete is defined differently for each row. Even though we subsampled mail nonrespondents with matched telephone numbers rather than sending all of them for telephone follow-up, the numerator of the cases to complete is all sampled cases, not just those subsampled.

Table 2-4. Cases to complete ratio, by approach

	Approach 1	Approach 2
Household screener (NCVS Control Card items)	10	10
Victimization screener (NCVS-1)	11	10
Victimization screener with reported property crime	46	48
Victimization screener with reported personal crime	417	609

Source: 2012 NCVS Companion Survey Pilot

The first row in Table 2-4 shows that the number of sampled addresses needed to complete one household screener was about 10 for each approach. The second row displays the cases to complete for at least one victimization screener in a household, which is virtually the same as the ratio for the control card. Nearly all households that completed the household screener were willing to complete at least one victimization screener. (About 93 percent of household screener respondents went on to complete a victimization screener.)

The next two rows show the ratios where the complete is defined as at least one reported property crime or at least one reported personal crime in the household. These are crimes that wound up being classified as property or personal crimes after coding. (See Section 6.) Because of the relative rarity of personal crime reports, the ratios are much higher for this type of complete. With the CS pilot data collection procedure, a sample of about 400 to 600 cases is needed to produce a single household with a personal crime report.

2.2 Level of Effort

As we noted previously, the mail data collection involved sending a package with the screener and no monetary incentive for both approaches. (In Approach 1, if a matched telephone number was available only an advance letter was sent to the address before calling it.) About 10 days later, a thank you/reminder postcard was mailed to all addresses that were mailed the mail screener. About 2 weeks later, a second package was sent to the nonresponding addresses, again without any incentive.

For the telephone data collection, the level of effort was relatively intense corresponding to a high effort random digit dial survey. On average, a little more than 9 call attempts were made per completed household screener for both approaches. This number includes calls made to all households sent for telephone follow-up. It does not include additional calls made to attempt

completion of victimization screeners and incident reports. Many of the interviews were finalized with a small number of attempts, especially those cases that were eventually completed and those with non-working numbers. When a household refused, a refusal conversion was attempted after a week or two unless the first refusal was classified as hostile. If the household refused a second time it was not attempted again. About 45 percent of all cases attempted in both approaches refused at least once. Just under a third of all completed household screeners were the result of a refusal conversion attempt.

Once the sampled adult(s) was/were identified, we attempted to complete a victimization screener with the household screener respondent and any (other) sampled adult(s). Even when the household screener respondent was not sampled, we asked the household screener respondent to complete a victimization screener; the data were used for household (property) crime purposes. No data from non-sampled adults were used for personal criminal victimizations. The household respondent completed the victimization screener about 93 percent of the time. The completion rate for adults other than the household respondent was much lower, ranging from 20 percent to 33 percent depending on the number of interviews attempted in the household. This result, much lower completion rates when having to go to a different adult within the household, is very common in telephone interviews.

2.3 Response Rates

In this section we present response rates by approach for the mail (only Approach 2) and telephone efforts. All of the response rates are weighted by the base weights. (See Section 7.) For Approach 1 the base weight for computing the telephone NCVS-1 response rate is the inverse of the probability of selection for the address; this is also the base weight for the mail data collection effort for Approach 2. For the Approach 2 telephone response rates, the base weight is the product of the inverse of the probability of selection of the address and the inverse of the subsampling rate for those that were subject to being subsampled.

Some of the sample addresses were no longer associated with occupied households, so these cases are not be counted in the denominator of the response rate computations. When the households were mailed the instrument, the post office returned some of these as non-deliverable. Using the non-deliverable returns (along with some of the telephone dispositions for Approach 1 cases), we estimated that about 13 percent of all the sampled addresses were for addresses that were not

eligible for the survey (primarily vacant units). Thus, we multiplied the weights of the nonrespondents (only those that never returned the mail) by 0.87 in accordance with AAPOR's response rate guidance to compute what they refer to as RR3 (AAPOR 2011).

We treat the response rates as random variables because we are interested in comparing the rates from one approach to the other, and we need to understand the variation that might be expected if these approaches were implemented in the future. Thus, we present sampling errors for the response rate estimates.

Table 2-5 shows that the response rate for the mail screener for Approach 2 was 46.5 percent, which is relatively high given no monetary incentive and only two questionnaire mailings. (A postcard reminder was also sent to all households via First Class Mail.) Monetary incentive, additional mailings, and use of special mail are methods that tend to increase the mail response rate. No mail response rate is given for Approach 1; because only those without a vendor match or with a "bad" matched number were included, comparing the approaches is not appropriate.

Table 2-5. Estimated response rates, by approach

	Approach 1		Approach 2	
	Estimate	S.E.	Estimate	S.E.
Mail screener response rate	-	-	46.5%	0.5%
Telephone response rates				
Household screener rate	12.3%	0.3%	12.4%	0.4%
Conditional victimization screener rate	68.0%	-	64.3%	-

Source: 2012 NCVS Companion Survey Pilot

The household screener telephone response rate is just over 12 percent for each approach. This rate indicates that an adult in the household completed the household screener interview. There is essentially no difference in this key rate between the two approaches.

The last row of Table 2-5 shows the conditional person-level response rate; this rate is the weighted percentage of all sampled adults who completed the victimization screener. It is conditional because the denominator is the (weighted) number of sampled adults and does not account for earlier stages of nonresponse. As is typical of most telephone surveys, the person completing the household screener was very likely to continue and complete the victimization screener. The conditional completion rate for these adults was over 90 percent regardless of how many adults were sampled for interviews. As a result, property crimes could be estimated from nearly all the households that

completed the household screener, and the response rate for estimating property crimes is essentially the same as the household screener response rate.

The conditional response rate for other adults, i.e., an adult other than the one completing the household screener, was only around 30 percent, and when 3 adults were scheduled for interviews the completion rate was less than 20 percent. Households with 3 or more adults are more likely to include young adults still living with their parents or in roommate situations, and these adults tend to be at a higher risk of being victimized than older adults. In fact, the percentage of adults reporting being a victim was higher when 3 adults were scheduled for interview and those interviews were completed.

Table 2-6 presents the estimated response rates to the household screener interview by characteristics of the sampled cases and by approach. Since the approach was the main experimental condition, it is worth noting that overall and across all the characteristics, the response rates for the two approaches are nearly identical and there is no indication of one approach giving a higher response rate than the other by any of these characteristics.

Table 2-6. Estimated NCVS-1 household response rates, by approach and characteristic

	Approach 1		Approach 2	
	Estimate	S.E.	Estimate	S.E.
Overall	12.3%	0.3%	12.4%	0.4%
Vendor phone match				
With vendor matched phone	14.7%	0.4%	15.2%	0.6%
Without vendor matched phone	10.2%	0.4%	10.1%	0.4%
Areas by Census 2010 Tract				
Tract with 30% or more Blacks	10.6%	0.7%	10.6%	0.7%
Tract with less than 30% Blacks	12.6%	0.3%	12.6%	0.3%
Tract with 30% or more Hispanics	11.7%	0.7%	11.7%	0.7%
Tract with less than 30% Hispanics	12.4%	0.3%	12.4%	0.3%
Tract with 30% or more Black and Hispanic	11.4%	0.5%	11.4%	0.5%
Tract with less than 30% Black and Hispanic	12.8%	0.4%	12.9%	0.4%
Areas by crime rates				
Chicago low crime area	11.6%	0.7%	11.6%	0.7%
Chicago medium crime area	11.0%	0.9%	11.0%	0.9%
Chicago high crime area	9.1%	0.7%	9.1%	0.7%
Remainder of Cook county	12.8%	0.6%	12.8%	0.6%
CBSA outside of Cook county	13.1%	0.5%	13.1%	0.5%

Source: 2012 NCVS Companion Survey Pilot

If we compare rates by characteristics of the addresses within approach, there is some variation. One of the most important factors that consistently influences response propensities in most mail and telephone surveys is the ability to match the sample address to a telephone number (for telephone samples the equivalent is matching to an address). In both approaches, the addresses that could be matched to a telephone number had response rates that were about 5 percentage points higher³. The next set of response rates is based on the percentage of the population who are Black and/or Hispanic. The areas are classified using data from the 2010 Census tract of the sampled addresses. While the high Black and the high combined Black and Hispanic areas show significantly lower rates than the other areas, the differences are all substantively small.

The last section of the table gives the response rates by crime rates reported by the Chicago police department. (The areas outside of the city are not classified by crime rates.) These are the categories used in the poststratification step of weighting, and are discussed in more detail in Section 7. The general pattern is as expected, with lower response rates in higher crime areas, but the differences are relatively small and only a few of the differences are statistically significant for both approaches.

Table 2-7. Estimated Approach 2 mail response rates, by characteristic

	Estimate	S.E.
Overall	46.5%	0.5%
Vendor phone match		
With vendor matched phone	53.0%	0.7%
Without vendor matched phone	41.2%	0.7%
Areas by Census 2010 Tract		
Tract with 30% or more Blacks	37.6%	1.1%
Tract with less than 30% Blacks	48.2%	0.5%
Tract with 30% or more Hispanics	38.5%	1.0%
Tract with less than 30% Hispanics	48.3%	0.6%
Tract with 30% or more Black and Hispanic	38.9%	0.7%
Tract with less than 30% Black and Hispanic	51.4%	0.7%
Areas by crime rates		
Chicago low crime area	44.8%	1.0%
Chicago medium crime area	39.4%	1.2%
Chicago high crime area	36.4%	1.2%
Remainder of Cook county	49.2%	1.0%
CBSA outside of Cook county	48.7%	0.7%

Source: 2012 NCVS Companion Survey Pilot

³ Unless otherwise noted, whenever we describe a difference as being higher or lower in this report, it means the difference is statistically significant using a two-sided t-test with $\alpha=0.05$. No adjustments have been made for multiple tests.

Table 2-7 gives the mail response rate for Approach 2 by the same characteristics applied to telephone response rates in Table 2-6. The patterns noted for the household screener are even more apparent for the mail response rates. For example, the addresses with matched telephone numbers have about a 12 percentage point higher mail response rate than those without a match. While at first this may suggest a greater potential for bias for the mail survey, in relative terms this is not the case. The mail rates have a ratio of 1.3 ($53.0/41.2=1.3$) while the telephone rates have a ratio of 1.5 ($15.2/10.1=1.5$, for Approach 2). The ratio is more indicative of the potential for nonresponse bias than is the absolute difference in rates.

2.4 Summary of Data Collection Results

The overall result of the data collection process was disappointing, with household screener (telephone) response rates of only about 12 percent for each approach. In terms of response rates alone, the ABS procedures were probably not superior to what might be achieved in a dual frame telephone survey in Chicago. Later we consider other factors, including the cost of conducting a dual frame telephone survey in a city where the telephone numbers do not correspond precisely to geographic boundaries, and find some advantages of the ABS sample even though response rates are comparable.

One of the main goals of the pilot was to determine if one of the two approaches to data collection was superior to the other. The results above again find no difference in response rates for Approach 1, which went directly to the telephone if a phone number could be matched to the address, and Approach 2, which went to mail for all households prior to calling to conduct the control card and NCVS-1 interview. The original plan of using data collected in the Approach 2 mail instrument to subsample households based on high/low risk of a victimization was not implemented due to the lower than expected response rates, but we return to examine the utility of these data for other purposes later in the report.

Perhaps the most promising result from the pilot was the relatively good response rate to the Approach 2 mail survey. The mail response rate was 46 percent; this rate is reasonably good for a densely populated, metropolitan area especially since some response-enhancing methods were not used in the pilot.

Reviewing the process of data collection, some procedures could be implemented to improve response rates. For the mail survey, token incentives (including \$1 or \$2 in the initial mailing), using special mail (FedEx or Priority Mail), and adding a third mailing of the survey are methods that have a good track record of increasing response rates. Another important component of the mail survey is the acquisition of the telephone number, and some research into methods of improving the return rate for the phone number could be investigated. This research would likely involve questionnaire design (placement and text of the telephone request) and would need cognitive testing. It should be noted that these methods are more pertinent to Approach 2 because all sampled households are mailed in that approach. It should also be noted that increasing the mail response rate would not necessarily result in improvements at the telephone interview stage.

Increasing response rates for the telephone survey is more problematic, especially without major changes in the telephone interview content which was not within the scope of the pilot. With Approach 2, an incentive could be mailed to the household prior to the telephone call. A similar mailing is possible in Approach 1, but the effect would be diminished for addresses that have a telephone number that is not correctly matched to the address. The size of the incentive for this component is not well established in the literature, but we suspect a level of \$5 or \$10 might have a better chance of increasing the telephone response rate substantially. Even then, the increase in the telephone response rate might not be more than 5 to 7 percentage points. Post-paid incentives generally are not very useful in telephone surveys unless the amount paid is considerably higher and even then the relationship is not clearly established.

Another way to increase the telephone response rate might be to make changes in the content of the interview and its nature. One of the especially problematic features with respect to the response rate is the full enumeration at the beginning of the interview. Other content-related issues are discussed in Section 4. A change that would most substantially raise the response rate is a design change that would allow any adult to respond to the survey for all household members. We do not consider any of these changes at this point because they would undoubtedly create more differences from the core NCVS interview protocol and were essentially out of scope for the pilot.

Chapter Highlights and Key Findings

- An experiment using different survey titles (one generic, one using a form of “Chicago”) had little impact on response rate to the mail survey.
- A similar experiment in the telephone survey had no impact on response to the telephone interview.
- A final experiment included the use of bilingual materials in the mail survey. The unilingual version had a marginally higher response rate than the bilingual, with very few returns using the Spanish-language questionnaire.

While the primary experimental condition studied in the pilot was the use of the two approaches to data collection, we also included three other experiments because standard data collection procedures for ABS surveys are not yet well-established. The results of these experiments are described in this section.

The first secondary-level experiment was an attempt to determine if localizing the mail instrument to the Chicago area would improve response rates. This included using a colloquial name for the MSA (Chicagoland) in the survey title as well as using the specific regional name in the letters and introductory text. We had also planned to tailor the survey cover using photos of Chicago and the surrounding areas. The idea was to highlight the value of the mail survey to Chicago residents and compare that to a more generic national survey that had no specific appeal to the local residents. This idea was inspired by some of the work in Dillman, Smyth, and Christian (2009) who suggest the cover might play an important role in highlighting the value of the survey to the local population.

Some of the original plans for this test were revised prior to data collection when cognitive testing found that people expressed a preference for a more official logo and a plain cover on the mail instrument. We speculated that this preference might have been associated with the contents of the survey being about safety in the neighborhood. Since a major part of the experimental condition was conceived to use the cover to discriminate between the local and generic surveys, this finding caused us to eliminate some of the cover differences and use a more official cover for both versions. As a result, we now call this the “Survey Name” experiment, with local and generic treatment levels. The main difference between the local and generic versions of the mail instruments was the use of the

term “Chicagoland” in the local instrument. For example, the cover of the local has the name “The Survey of Chicagoland Neighborhoods” and the generic is just “The Survey of Neighborhoods.” This experiment was tested only for Approach 2.

The response rate for the local version of the Survey Name experiment was 45.3 percent (s.e.=0.6) while for the generic version it was 47.8 percent (s.e.=0.7). The 2.4 percentage point difference (s.e.=0.8) is substantively small, but statistically significant. It also goes in the opposite direction than anticipated with the generic version having the higher response rate.

The second of these experiments was a minor extension of the same idea to the survey introduction, and is called the “Survey Introduction” experiment. For this experiment, the telephone interviewer used the term Chicagoland for the local treatment in the introduction and did not refer to any geography for the generic version. This was tested for both approaches, but the treatments for Approach 2 were defined by whether the local or generic version was used for the mail instrument.

For Approach 1, the NCVS-1 household telephone response rate was 11.8 percent (s.e.=0.4) for the local version and 12.8 percent (s.e.=0.4) for the generic version. In this case, the 1 percentage point difference is not statistically significant (s.e.=0.6). For Approach 2, the NCVS-1 household telephone response rate was 12.2 percent (s.e.=0.4) for the local version and 12.5 percent (s.e.=0.6) for the generic version and the difference is not significant.

The final of these experiments was a test of sending respondents either an English-only mail survey or package with both English and Spanish surveys. The idea was to determine if sending the survey in both languages would improve response rates for Spanish-speakers and whether it would reduce response rates for monolingual English speakers. This experiment was conducted only for Approach 2 and was restricted to households that: (1) were not in linguistically-isolated areas (census tracts that had more than 13 percent of the population classified as speaking only Spanish); and, (2) did not have a surname that was classified as Hispanic. All sampled households in the linguistically-isolated areas and those with Hispanic surnames were mailed the bilingual materials. A random sample of 1,500 addresses from the Approach 2 sample in other areas was assigned to get the bilingual materials and the remainder got the English-only survey.

The mail response rate for the treatment with the bilingual materials was 44.8 percent (s.e.=1.3) and for the English-only treatment the rate was 48.5 percent (s.e.=0.6). The 3.7 percentage point difference is statistically significant, although it is not very large substantively. Even more surprising, only 4 of the 1,500 mail screeners that were mailed the bilingual materials returned the survey

completed in Spanish. These results are in contrast to findings from the National Household Education Survey conducted by mail survey (Brick, Williams and Montaquila 2011). That survey had no difference in rates when bilingual survey material was mailed and had a much higher rate of return in Spanish.

References

- American Association for Public Opinion Research (AAPOR). 2011. Standard definitions: Final dispositions of case codes and outcome rates for surveys.
aapor.org/Content/NavigationMenu/AboutAAPOR/StandardsampEthics/StandardDefinitions/StandardDefinitions2011.pdf
- Brick, J. Michael, Williams, Douglas, and Montaquila, Jill. (2011). Address-Based Sampling for Subpopulation Surveys, *Public Opinion Quarterly*, 75, 409-428.
- Dillman, D., Smyth, J., and Christian, L. (2009). *Internet, mail, and mixed-mode surveys: the tailored design method*, 3rd Edition. Wiley & Sons, New York.

Chapter Highlights and Key Findings

- Approach 1 was less expensive per unit than Approach 2, whether the unit was completed households or completed NCVS-2s.
- Subsampling based on likelihood of victimization in Approach 2 does not appear to reduce per-unit costs.
- Subsampling of unmatched addresses is likely to reduce per-unit cost; the effect on the variance of victimization estimates was not addressed.
- The cost of Approach 1 is roughly comparable to a national RDD using both landline and cell frames, depending on the treatment of cell-only households in the RDD design.

A successful NCVS Companion Survey must be cost-efficient. Many aspects of the pilot study design specifically addressed cost, including the use of mail and telephone rather than in-person interviewing and limiting the survey to a single, unbounded iteration. This section will compare costs of mail and telephone administration in the pilot across the two experimental treatments and within each treatment by other aspects of the design that could be manipulated to improve efficiency.

In Approach 1, these aspects are whether a telephone number was obtained from the sample vendor for a sampled address, and then whether that number was found not to be associated with that sampled address, either because the number was not in service or was associated with a different address. The CS pilot design included sending mail screeners to these “bad numbers,” and then following up by telephone again if a new number was obtained through the mail.

Approach 2 included other manipulatable aspects besides telephone match status. Since all sampled addresses were included in the mail screener, for matched addresses there were mail responders with respondent-provided numbers, mail responders who did not provide a telephone number, and mail non-responders. The Approach 2 mail screener also included questions to allow classification of responders into “high-risk” and “low-risk” strata based upon their estimated likelihood of reporting a victimization in the telephone follow-up interview.

Generally, survey costs for a given design may be classified as either fixed or variable. Variable costs are those directly proportional to the sample size. For the purposes of this report, we will focus only on comparing variable costs across treatments and other design aspects within the CS pilot. Our general approach is to derive component unit costs based on observed data, and then to incorporate these into models that would support exploring what would happen with certain changes in the design. The output of the models is cost per some output unit, such as completed telephone interviews where the respondent reports at least one victimization.

4.1 Mail Costs

Table 4-1 presents the cost model results for the Approach 1 mail screener. Table 4-1 includes three separate groups: addresses without a matched telephone number, all of which were sent mail screeners; addresses with a matched telephone number, none of which were initially sent a mail screener; and matched addresses where the telephone number proved “bad,” which were subsequently sent a mail screener. Note that these last are a subset of all matched sample addresses.

Table 4-1. Approach 1 mail screener costs

		Match		No match	All
		Bad #	All		
Initial sample	12,500				
Match rate	41.1%	658	5,142	7,358	
Subsampling rate		0.43		1.00	
Initial mailing		280		7,358	7,638
Completion rate		20.4%		33.0%	
Completed surveys		57		2,428	2,483
Telephone rate	74.1%	45		1,800	1,845
Returns after 2 weeks	40.0%	8.1%		13.2%	
Relative cost per mail complete		1.57		0.99	1.00
Relative cost per telephone case		5.54		3.71	1.00
Relative cost per person w/victimization		3.73		0.97	1.00
Including cases not mailed to					0.58

There are three components of variable cost for the mail screener: (1) the initial mailing and reminder postcard; (2) the second mailing; and (3) receipt and processing of returned questionnaires. To calculate the total cost of the mail screener effort for a column, we multiply per-unit costs for each of these components times the number of cases to which it is applicable, and sum the results. Initial mailing cost is multiplied by the initial sample; second mailing cost is multiplied by the number of cases not returned after 2 weeks; and receipt and processing cost is multiplied by the

number of returns. To obtain total per-unit costs for outcomes, we divide the total cost for the column by the number of cases with the outcome of interest.

Key parameters in the model, which may be adjusted, include the match rate, the subsampling rate, the completion rate, and the telephone rate (the proportion of returned screeners with telephone numbers). Note that some derived numbers in the table may not equate exactly to the actual pilot results because of rounding.

The last four rows of Tables 4-1 summarize the outcome unit costs for the Approach 1 screener, using the cost for all Approach 1 cases as a benchmark. The cost per completed mail screener was about 60 percent higher for the addresses with “bad” matched numbers than for the non-matched addresses. The relative costs per case sent for telephone interviewing were the same as for returned screeners because only cases with telephone numbers were sent on, and the rate of including numbers was assumed to be the same across columns. The cost per completed individual telephone interview with a reported victimization (denominator external to the table) was more than 3.5 times higher for the “bad” numbers, but this estimate is unstable because of the small sample size. The last row factors in the matched cases that were not in the “bad number” group. The relative cost is almost the same as 1 minus the match rate; the difference is because of the “bad number” cases.

Table 4-2 presents essentially the same information for Approach 2. Here, the only split is between matched and unmatched addresses, and all matched addresses were available for telephone follow-up, regardless of the mail screener outcome. The benchmark for calculating relative cost is again the per-unit cost of all the Approach 1 mail cases. The completion rate for non-matched cases was virtually identical between approaches (Table 4-1 versus Table 4-2), as were the relative costs per mail return and per case available for telephone follow-up. The cost per telephone interview reporting victimization was higher for reasons we will see later.

For Approach 2 matched cases, the completion rate was higher than for unmatched cases, which is not surprising, so the relative cost per mail complete is about 70 percent of that for the unmatched cases. And, since all matched cases except those identified as nonresidential or vacant from postal returns were available for telephone follow-up, the cost per case available for the telephone was only about 28 percent of that for unmatched cases. But, of course, the mail cost for all matched cases with Approach 1 is much lower still, because only those with bad numbers were mailed to. Continuing to the next-to-last row of Table 4-2, we see that the relative mail cost per person reporting victimization in the telephone interview was much higher than per telephone case, again for reasons we will learn later.

Table 4-2. Approach 2 mail screener costs

		Match	No match	All
Initial sample	14,000			
Match rate	0.398	5,572	8,428	14,000
Subsampling rate		1.0	1.0	
Initial mailing		5,572	8,428	14,000
Completion rate		47.0%	33.0%	38.6%
Completed surveys		2,619	2,781	5,400
Telephone rate	0.75	1,964	2,086	4,050
Returns after 2 weeks	40.0%	18.8%	13.2%	
Relative cost per mail complete		0.71	0.99	0.85
Relative cost per telephone case		0.93	3.67	1.67
Relative cost per person w/ victimization		0.76	0.97	0.88
Including Approach 1 cases not mailed to				1.52

Overall, the total mail cost per person reporting victimization in the telephone interview was just over 50 percent higher in Approach 2 than in Approach 1, when factoring in the matched cases that were not mailed to in Approach 1. This difference was expected, since the sample size was larger in Approach 2, anticipating subsampling for telephone follow-up, and since all Approach 2 sampled addresses were included in the mail portion of the pilot test. Our hypothesis was that this cost difference would be compensated for by savings in the telephone follow-up, and/or by the value of the additional data obtained in Approach 2.

4.2 Telephone Costs

The cost model for the telephone portion of the CS is built somewhat differently from the mail model. For each column of the cost tables (Tables 4-3 and 4-4) and separately for the household screener and for the victimization screener and associated incident reports, we developed an algorithm that incorporated the mean length of the interview and the number of calls across all cases in the category divided by the number of completed interviews to estimate a total number of interviewer minutes per completed interview. This result was multiplied by a mean cost per interviewer hour for all marginal activities associated with telephone data collection and data preparation. The algorithms were adjusted so that the total cost across all cases matched the actual incurred marginal costs.

In Table 4-3, we see that virtually all Approach 1 cases with a telephone number were sent for telephone follow-up. The only “subsampling” was from non-matched cases where we received a mail screener with a telephone number too late to follow up. The household screener completion

Table 4-3. Approach 1 telephone and total costs

	Match		No match	All
	Bad #	All		
Available for telephone	45	5,142	1,800	6,987
Subsampling rate	1.00	0.99	0.98	0.99
Sent for telephone follow-up	45	5,097	1,767	6,909
Household screeners				
Completion rate	23%	13%	34%	18%
Number completed	11	657	593	1,261
Victimization screeners				
Completion rate	1.18	1.19	1.16	1.18
Number completed	13	782	687	1,482
Relative telephone cost per	0.59	1.25	0.72	1.00
Relative total cost per	1.98	0.80	1.21	1.00
Persons reporting victimization				
Reporting rate	15%	21%	32%	26%
Number reporting	2	142	191	335
Relative telephone cost per	1.00	1.54	0.59	1.00
Relative total cost per	3.39	0.98	0.99	1.00
Property crimes				
Rate per HH screener	0%	26%	36%	30%
Number completed	0	169	212	381
Relative telephone cost per	N/A	1.49	0.60	1.00
Relative total cost per	N/A	0.95	1.01	1.00
Personal crimes				
Rate per HH screener	9%	5%	8%	7%
Number reporting	1	33	48	82
Relative telephone cost per	0.40	1.64	0.57	1.00
Relative total cost per	1.36	1.05	0.96	1.00

rate was higher for those cases that came from the mail screener than for those for which we simply called the matched number, but of course there was substantial mail nonresponse for the matched cases (Table 4-1).

Table 4-3 presents completion or reporting rates, and relative unit costs, for four different stages of the survey process: completing the victimization screener, completing a victimization screener in which at least one incident was reported (regardless of how it was coded later), reported incidents that were coded as property crimes by NCVS rules, and reported incidents coded as personal crimes. Note that there are 3 different levels represented in Table 4-3, which are also shown in Table 4-4 for Approach 2: address or household, person, and incident. Tables 4-3 and 4-4 differ in this way from the tables in Section 2, which stay at the address or household level.

The completion rate for victimization screeners (NCVS-1) is greater than 1 in most cases because more than 1 adult could be sampled in a household. As noted in Section 2, the victimization screener completion rate for the household screener respondent was much higher than that for other adults sampled in a household. The relative telephone cost for victimization screeners is highest for the matched cases, as it is directly related to the completion rate. But, factoring in mail costs, the cost per victimization screener in the matched sample was about 2/3 that of the unmatched sample. (The total cost for the matched Approach 1 cases includes mailing a “prenotification” letter.) In each cost row, the benchmark cost is the cost across all of the Approach 1 sample.

Individuals in the non-matched sample were about 50 percent more likely to report a victimization than those in the matched sample, so that the “per-victim” cost is virtually identical between matched and non-matched cases. Matched cases whose vendor-provided telephone number was not in service or not associated with the sampled address and for which a mail screener was returned with a different telephone number were by far the most expensive in Approach 1, but the sample size is small, so the cost estimates are relatively unstable.

The cost ratios for reported property and personal crimes are very similar to those for victimization screeners with any reported incident. Again, because of the small sample size, the ratios for the “bad number” cases are unstable.

Table 4-4 presents the same information for Approach 2, broken out by more sample groups. Since all sampled addresses were sent mail screeners, all matched addresses were available for telephone follow-up but could have (1) a mail screener with a telephone number, (2) a mail screener without a telephone number, and (3) no mail screener. All Approach 2 cases with a completed mail screener were assigned to a risk stratum based on their responses. By design, about 25 percent were assigned to the “high risk” stratum, indicating a higher predicted likelihood of reporting a victimization in the telephone interview. The proportion of high risk cases varied by sample subgroup, with the unmatched addresses having the largest proportion (30 percent). Except for the matched mail non-responders, all available cases were sent for telephone follow-up. “Subsampling” included 2-4 percent of mail screeners received too late for follow-up, and 50 percent subsampling of mail nonresponders.

Table 4-4. Approach 2 telephone and total costs

	Match					No Match		Total
	Mail #		Mail no #		No mail	Mail #		
	High	Low	High	Low		High	Low	
Risk proportion	0.228	0.772	0.223	0.777	N/A	0.30	0.70	
Available for telephone	460	1,555	148	516	2,893	638	1,480	7,690
Subsampling rate	0.97	0.97	0.95	0.97	0.48	0.96	0.97	0.78
Sent for telephone follow-up	445	1,507	141	500	1,377	612	1,430	6,012
Household screeners								
Completion rate	30%	27%	9%	10%	6%	33%	33%	23%
Number completed	134	407	13	52	78	200	466	1,350
Victimization screeners								
Completion rate	1.12	1.21	1.00	1.06	1.03	1.18	1.18	1.17
Number completed	150	493	13	55	80	236	550	1,577
Relative telephone cost per	0.91	0.72	1.96	1.60	2.86	0.82	0.67	0.89
Relative total cost per	0.76	0.66	1.99	1.63	4.40	1.29	1.20	1.18
Persons reporting victimization								
Reporting rate	61%	13%	69%	15%	23%	56%	16%	
Number reporting	91	62	9	8	18	133	86	407
Relative telephone cost per	0.40	1.52	0.75	2.91	3.36	0.39	1.13	0.91
Relative total cost per	0.33	1.38	0.76	2.96	5.15	0.60	2.02	1.21
Property crimes								
Rate per HH screener	82%	13%	38%	6%	32%	77%	14%	31%
Number completed	110	53	5	3	25	154	65	415
Relative telephone cost per	0.32	1.73	1.31	7.55	2.36	0.32	1.46	0.87
Relative total cost per	0.27	1.57	1.33	7.70	3.61	0.50	2.57	1.15
Personal crimes								
Rate per HH screener	11%	4%	8%	4%	4%	17%	2%	6%
Number reporting	15	15	1	2	3	33	9	78
Relative telephone cost per	0.50	1.32	1.41	2.44	4.23	0.33	2.27	0.99
Relative total cost per	0.42	1.19	1.43	2.48	6.48	0.50	4.00	1.32

Overall, the household screener completion rates were comparable to those of Approach 1, with the lowest rates for matched cases that either did not respond to the mail screener or responded but did not provide a telephone number. The completion rate for victimization screeners was also comparable to that of Approach 1, with the same sample subgroups having the lowest rates as for the household screener.

The overall Approach 1 costs are used as benchmarks for each cost row. As with Approach 1, the relative telephone cost per victimization screener is inversely proportional to the completion rate. Overall, telephone costs were somewhat lower for Approach 2, but this difference is entirely due to subsampling mail nonresponders. The total cost per victimization screener, including mail cost, is higher overall than for Approach 1 for each of the unit cost parameters – about 20 percent higher for victimization screeners, victimization screeners with any reported incident, and reported property crimes, and more than 30 percent higher for reported personal crimes. Thus, the predicted benefits of conducting the mail screener with all sampled addresses did not materialize. The mail nonresponders were by far the most expensive in Approach 2 for 3 of the 4 unit costs, and were between 3 and 6 times as expensive as the Approach 1 benchmark.

As discussed in Section 8, the mail screener did reasonably well at predicting whether any incident would be reported, but 13 to 16 percent of respondents in low risk households also reported at least one incident. The rate of reported property crimes was about 6 times higher in high risk households than in low risk households overall, and the rate of reported personal crimes was about 5 times higher.

Cost per person reporting a victimization varied widely among the Approach 2 sample groups. From 1/3 to 5 times the cost of the Approach 2 benchmark. Similar variation may be observed in the relative costs per property crime and per personal crime reported. This variation was a function of the differences in reporting rates, as well as in other factors discussed earlier.

4.3 Relationship of Mail and Telephone Costs

As shown in the previous section, the total cost for Approach 2 was about 20 percent higher than that for Approach 1 for three of the unit costs (per victimization screener, per person with a reported incident, and per property crime) calculated, and about 30 percent higher per reported personal crime. However, the telephone data collection cost in Approach 2 was about 10 percent

lower than Approach 1 for the first three units, and about the same per reported personal crime. The reason for the lower telephone costs was the subsampling of nonrespondents to the mail screener. Had that subsampling not occurred, the telephone costs would have been about the same between the two approaches for the first three units, and about 12 percent higher for Approach 2 per reported personal crime. Without the subsampling, Approach 2 would have been slightly more expensive per unit than with it.

The reason for the overall difference in cost between the two approaches was in the cost of the mail screener, which, as the design was implemented, represented 57 percent of the total cost for Approach 2, as compared with 38 percent of the total cost for Approach 1. Had the subsampling not occurred, mail costs would still have accounted for about 53 percent of total costs for Approach 2.

4.4 Effect of Changing Parameters

The model allows us to estimate the effect on cost of changes in parameters, such as subsampling rates, response rates, and some cost parameters. This section will discuss several of these possible changes.

One way to increase the mail response rate would be to include a small cash or other incentive in the first mailing. Of course, this also increases the cost. A \$1 incentive with all initial mailings would have to effect about a 5 percentage point increase in the mail return across the board rate to pay for itself in terms of mail returns in Approach 2, and 8 points in Approach 1. Similarly, the break-even point for a \$2 incentive would be about a 9 point increase in response in Approach 2. How this change would affect the telephone follow-up is not clear. The most expensive cases in Approach 2 are mail nonresponders. If households responding to the incentive condition but not otherwise continue their cooperative behavior into the telephone follow-up, a much lower increase in mail response would pay for itself.

Given the relatively greater per-unit cost of some sample groups for these survey designs, it may be more efficient to subsample, either before the initial mailing or based on the mail screener results before telephone follow-up. For example, the original design called for subsampling low-risk responders in Approach 2, but that plan was abandoned given the lower-than-expected mail screener response. Instead, mail screener nonresponders with vendor-provided telephone numbers

were subsampled in Approach 2. Here are the cost implications from the model of subsampling at different points:

- Subsampling non-matched cases before mailing in Approach 2 would have a very small effect on cost; the model shows a slight decrease in the cost per victimization screener and a somewhat larger, but still small increase in the cost per person with reported victimization, because the non-matched cases are more likely to report a victimization than the matched cases.
- Subsampling non-matched cases before mailing in Approach 1 would not be effective. However, mailing to the matched “bad number” cases does not seem to be cost-effective, although as we have noted the sample size is relatively small.
- Subsampling the mail nonresponders in Approach 2 appears to have had a slightly positive effect on various unit costs.
- Subsampling mail responders classified as “low risk” would be close to cost neutral (the model shows very slightly positive, but undoubtedly well within the margin of error) for matched cases where a telephone number was not provided in the returned mail screener, but not for the other two low risk subgroups (matched with mail phone number and nonmatched).

A significant caveat with these observations about efficiency is that they do not consider the effect of subsampling on the variance of survey estimates. Since any differential sampling would likely increase the variance and hence reduce the effective sample size, of the possibilities explored above only dropping the mail screener for matched “bad number” cases for Approach seems promising within the parameters of the designs as implemented in the pilot.

Another significant caveat is that all of these observations are specific to the designs implemented, and to their performance in one site. The predictive power of the cost models is thus fairly limited; changes in the design or implementation in other sites might produce very different results.

4.5 Comparison with RDD Costs

Since a random-digit-dial (RDD) survey would be another possible approach to an NCVS Companion Survey design, we will attempt to compare the cost of the pilot to that of an RDD survey with a similar design and similar content. Since the pilot did not include an RDD sample, we will draw upon Westat’s experience with an RDD survey that was in the field at the same time as the CS pilot, in California.

One of the major issues in considering an RDD design is coverage of households with only cellular telephone service. The most recent estimates from the National Health Interview Survey indicate that 34 percent of adults nationally live in cell-only households; the proportion is more than 50 percent for adults under 35 (Blumberg and Luke, 2012). Most new RDD surveys now include a sample of numbers drawn from those assigned to cellular service. These surveys may or may not screen households reached through those numbers to interview only in cell-only households. From a data collection perspective, it is more efficient to interview in all eligible households reached through the cell sample.

A further complication with an RDD design for a local area survey is that cell numbers are assigned based on where a telephone is purchased rather than where the purchaser lives, and that once assigned they tend to be more portable than landline numbers. Thus, in sampling for a local area, identifying the cellular area code-exchange combinations to include is less precise than for a landline sample. Certainly for a cell sample, and depending on the area for a landline sample as well, the data collection process must include some screening to ensure that only residents of the target area are included in the survey estimates. Such screening requires that the survey ask about the respondent's residential address; ineligible households may be screened out before or after conducting the interview. Thus, a residential eligibility rate must be factored into the cost model for a local area RDD survey.

The 2011 California Health Interview Survey (CHIS) was in the field at the same time as the CS pilot. CHIS is a dual-frame (landline and cell) RDD survey of California households with a design somewhat similar to that of the pilot: after a very brief screening interview with a household respondent, one random adult is selected for a longer interview; in households with children (0-11) and/or adolescents (12-17), one child and/or one adolescent is also selected. The content of the interviews is health conditions, health care, health insurance, and related topics. CHIS 2011 response rates are not yet available, but generally the screener response rate is higher than that of the CS pilot, and the conditional response rate for the longer interview is somewhat lower.

Obviously there are many differences to take into account when comparing two surveys done with different sampling frames on different topics in different geographic areas. Thus, any cost comparison can only be very broad. With these caveats, our comparison of CHIS 2011 costs with the CS pilot indicate that the telephone-related cost per CS household with at least one victimization screener is about 58 percent of that for one completed CHIS adult interview. Given that in Section 4.3 we found that telephone interviewing costs accounted for about 62 percent of the total cost per

victimization screener for Approach 1, we can say that CS Approach 1 and CHIS costs are close to equal for close to the same kind of result.

In CHIS, most telephone numbers dialed were geographically eligible, since we were covering the entire state. In a smaller area or one proximate to other large population centers (which California is not), we would likely encounter higher rates of geographic ineligibility, and hence higher costs per completed interview in an eligible household. The CHIS sample design called for about 20 percent of all interviews to be conducted with the cell phone sample. An optimal design for most areas in the United States would probably have a higher proportion of sample from the cell frame, which again would increase the cost per completed interview in an eligible household.

Reference

Blumberg, S.J., and Luke, J.V. Wireless Substitution: Early Release of Estimates from the National Health Interview Survey, January–June 2012.
<http://www.cdc.gov/nchs/data/nhis/earlyrelease/wireless201212.PDF>.

Chapter Highlights and Key Findings

- In the mail screeners, item-level nonresponse was low except for telephone number (with about 25 percent missing data).
- In the Approach 2 mail screener, there is evidence that some respondents had difficulties with the household enumeration matrix.
- There were some differences in household composition as reported in the Approach 2 mail screener and telephone interview.
- In the telephone enumeration, household member date of birth had relatively high nonresponse.
- Having the household enumeration and demographics at the start of the interview increased the need for refusal avoidance tactics by interviewers.
- Interviewers reported little difficulty with the NCVS1 screening questions.
- “Re-starting” interviews was difficult in a telephone environment where cases are shared (this occurs when an interview is completed in more than one session).
- Interviewers and respondents had some difficulties understanding the relationship between the NCVS1 and NCVS2 questions. A particular problem was with NCVS2 question 88 (theft).
- Interviewer had difficulty with questions driving major skip patterns in the NCVS2, including question 10 (location) and question 20a (presence).
- Behavior coding indicates that the interviewers usually read the questions as worded.

5.1 Overview and CATI Instrument Timing

The NCVS-CS Pilot used two versions of a mail screener and three CATI questionnaires. The mail screeners are included in Appendix A.

- The sole purpose of the Approach 1 mail screener was to obtain a telephone number for follow-up. It included some opinion questions on neighborhood safety and police performance, and one question on tenure (how long resided at current address).

- The Approach 2 mail screener included all of the Approach 1 questions plus questions on victimization and expected correlates of victimization.
- The CATI household screener included standard questions to verify that we had reached a residence at the sampled address and identify an appropriate household respondent, and a set of household enumeration and demographic questions from the NCVS Control Card.
- The victimization screener included questions from the NCVS-1, omitting those asking about identity theft.
- The incident report included all of the questions in the NCVS-2.

The CATI instruments were adapted from the paper versions formerly used by the Census Bureau. Westat did not have access to specifications for the CAPI program currently in use on the core NCVS.

The household screener was completed with 2,611 eligible households, with a mean administration time of 4.8 minutes. There was a fairly wide range of administration times, between 2 and 25 minutes, depending on the size of the households and whether the interviewer had to continue persuading the respondent to participate.

A total of 2,991 respondents completed the victimization screener; the mean administration time was 8.1 minutes, with about 90 percent of respondents completing it in between 5 and 13 minutes. For those reporting a victimization, the mean time was 10.6 minutes, and 7.3 minutes for those not reporting a victimization.

A total of 1,474 incidents were reported by 890 respondents (excluding completed interviews with individuals outside the Chicago SMSA). Mean administration time for all incidents excluding duplicates, those outside the reference period, and incomplete reports was 10.9 minutes. Ninety percent of all incident reports were completed in between 4.5 and 21 minutes. For incidents coded as personal crimes (codes 1-23), the mean was 16.2 minutes, and for property crimes (codes 24-41) 10.1 minutes. Just over one-third of respondents completing an incident report completed more than one. For the first (or only) incident report, the mean administration time was 11.7 minutes, and for the second incident report 9.6 minutes. Total time spent on all incident reports by one respondent ranged from 2 minutes to more than 100, with a mean of 14.7 minutes.

5.2 Item Nonresponse and Response Frequencies

Frequencies for closed-ended questions in both the mail and telephone questionnaires will be provided separately to BJS. This section will discuss highlights of item nonresponse and a few unweighted frequencies of interest.

Mail Screener

The two mail screener versions have questions 1-8 in common, labeled “Your Neighborhood” in Approach 2. The remaining 4 items in Approach 1 also appear in Approach 2, but have intervening questions. Approach 2 includes questions on victimization and correlates of victimization, including household size, employment, whether own or rent, and number of moves in the past 5 years. For the mail screener item nonresponse means that there was no response marked or that it was not possible to determine which response was marked.

Nonresponse to Questions Common to Approach 1 and Approach 2. Item nonresponse to all of the Approach 1 questions was less than one percent, except for telephone number (26% missing). The telephone number was missing in 25 percent of the Approach 2 screeners. In the Approach 2 instrument, nonresponse to Questions 1-6 (all on the first page and identical to the Approach 1 instrument in wording and layout) was somewhat higher but still no more than 1.3 percent. Questions 7 and 8 had virtually identical nonresponse between the two instruments, and nonresponse to Questions 17 and 18 in Approach 2 (police performance and 911 response, Questions 9 and 10 in Approach 1) was less than 1 percent. However, nonresponse to Question 23 in Approach 2 (“How long have you lived at this address?”), Question 11 in Approach 1) was 4.4 percent.

Comparison of responses in Approach 1 and Approach 2. The distribution of responses to common questions was very similar between Approach 1 and Approach 2. For the first 8 questions in each instrument, Approach 2 respondents gave slightly more positive responses than Approach 1 respondents. Question 17 in Approach 2 (police performance) would be most likely to show a context effect, as it immediately followed the victimization questions. Approach 2 respondents were about 3 percentage points more likely than Approach 1 respondents to “strongly agree” that the police are doing a good job, and about 4 points less likely to disagree or strongly disagree. This difference was the largest observed among the common items, and suggests that there might be a

very small context effect arising from the insertion of the victimization items. Not surprisingly, those who reported a victimization were far more likely (21% to 4%) to disagree or strongly disagree that the police are doing a good job.

Nonresponse to questions only in Approach 2. The victimization questions (9-16) all had item nonresponse of less than 1 percent. Question 19 is a 5x2 grid asking for the number of males and females in the household by age range; 2.5 percent of respondents did not enter a number greater than 0 in any of the boxes. More than 2 percent of respondents did not answer Question 20, about unemployment. Question 21 requires a “yes” or “no” to five employment fields; 7 percent of respondents left the first item blank, and each of the other items had 12 to 14 percent nonresponse. On the last page of the Approach 2 booklet, Question 22 had just over 2 percent nonresponse. Question 24 (number of moves in the past 5 years) was the only item in the survey that could have been skipped appropriately, if the response to Question 23 was 5 years or longer. More than 3 percent of respondents did not answer either Question 23 or Question 24, but almost none skipped Question 24 after giving an answer of less than 5 years to Question 23. Of those who said “5 or more years” in Question 23, 34 percent went on to answer Question 24. Of those, most (95%) gave the expected answer of “0.”

Household composition. As noted, the household composition grid had no positive entries in 2.5 percent of Approach 2C mail screener returns. An additional 1.4 percent gave responses totaling 9 adults or more, including 24 totaling 100 or more. These were all considered to be group quarters, and thus not eligible for telephone follow-up. Review of the individual response suggests that while some of these addresses may in fact be group quarters, other explanations are plausible, namely (1) some respondents entered ages in the boxes instead of number of individuals and (2) some entered a number representing an estimate of the population of the neighborhood, since the earlier questions had asked about the neighborhood.

Household composition was also asked in the telephone interview. For those sampled addresses where both an Approach 2 mail screener and a telephone screener were completed, we compared the total number of adults reported. Generally, the fewer adults reported in the mail screener, the more likely that the same number was reported on the telephone. If only 1 adult was reported in the mail, 97 percent of telephone interviews also reported 1 adult; if 2, 88 percent agreed exactly; if 3 or 4, 60 percent; and if 5 or more, 29 percent. The discrepancies could be attributable either to reporting error or to actual changes in household composition.

Telephone Interview

The NCVS-CS telephone interview includes three separate instruments: the household screener, which is adapted from the NCVS Control Card and standard questions for an address-based sample to determine whether the telephone number is associated with a residence at the sampled address; the victimization screener, including most items from the NCVS-1; and the incident report, or NCVS-2. Item nonresponse to the telephone interview includes responses missing because the respondent either did not know or refused to provide an answer. Unlike the mail screener, there are essentially no missing responses because a question was skipped inadvertently.

Household Screener. The NCVS Control Card questions included in the Companion Survey Pilot enumerated adults in the household and obtained basic demographic information for each adult. The only noteworthy item nonresponse was in determining the age of household adults. Month and day of birth each had 17 percent refused and 6 to 7 percent unknown; year of birth had 14 percent refused and 4 percent unknown. If the person's age could not be calculated from date of birth, the respondent was asked for an approximate age; of those asked, 21 percent refused and 5 percent said they did not know. Those not providing an approximate age were asked to put the person's age in a range; again, 21 percent refused and 5 percent did not know. Virtually all of those not giving a range acknowledged whether the person was 18 or older. Among other demographic items, only highest level of education (2 percent) had more than 1 percent nonresponse.

Victimization Screener (NCVS-1). There was virtually no item nonresponse in the NCVS-1 except for household income, which had 12 percent refusal and 8 percent unknown.

Incident Report (NCVS-2). The incident report includes many questions, but depending on the type of crime and other factors, many are skipped in any one administration. One set of questions with relatively high levels of nonresponse was characteristics of the offender. For example, 30 percent of those asked did not know whether there was one or more than one offender, 11 percent weren't sure of the offender's age range, 33 percent didn't know if the offender was part of a street gang, and 38 percent didn't know whether the offender was on drugs. In addition, 7 percent could not put the value of stolen property in a price range, and 15 percent either did not know or refused the month of the incident. Of these last, all but 6 percent were able to say whether the incident occurred within the 12-month reference period.

Note that the CS handled unknown month of incident differently from the core NCVS. In the core NCVS with a 6-month reference period, if the respondent doesn't know the month the incident

occurred, the incident is discarded. For the CS, the incident was retained if the month was not known or refused but the respondent confirmed that the incident occurred in the preceding 12 months.

5.3 Interviewer Debriefing

A debriefing session was held with the NCVS CS Pilot interviewers, three days after completion of data collection. A total of 13 interviewers attended the session, which was facilitated by Westat's Telephone Research Center (TRC) Operations Manager who had trained the interviewers. The TRC Project Coordinator who managed interviewing supervisors also participated in the debriefing. Topics included gaining cooperation, each of the pilot instruments, the less formal interviewing style encouraged during training, and respondent issues.

Gaining Cooperation

Interviewers reported several issues related to gaining cooperation:

- For respondents who had already completed the mail screener questionnaire, many felt they had already completed the survey and wondered why we were calling. Some respondents were annoyed by the telephone contact as they felt they had already complied with the survey request.
- Some respondents noted that there was no point in completing the survey – that nothing would come from it, the police don't do anything anyway.
- Some interviewers noted they obtained better cooperation from respondents living in the city than from those in the suburbs.

Household Screener (Control Card Content)

The interviewers noted several issues with administering the household screener, most notably that the content was viewed as very personal.

- Address, age, race, marital status, and educational attainment were asked about all adults listed on the roster and the interviewers noted that they had to use refusal avoidance tactics to get through the screener with many respondents.

- The first substantive question in the household screener – “Are your living quarters owned or being bought by you or someone in your household, rented for cash, or occupied without payment of cash rent?” – presented some difficulties for the interviewers.
 - Some interviewers had to explain the meaning of “living quarters.”
 - Some reported that respondents reacted negatively to being asked this question (“Why do you need to know that?” “That’s none of your business.”). They had to explain that BJS needs to know this in order to better understand the nature and characteristics of victims of crime.

Victimization Screener (NCVS-1) Including Income/Employment Demographic Questions

There was not much discussion of the crime screener questions; the interviewers felt those questions were straightforward and although somewhat repetitive they understood the rationale for asking all of the crime screener probes.

Regarding the employment questions asked at the end of the crime screener (if no reported incidents) or after all incident reports were completed – the interviewers noted that there wasn’t a good place to report employment with nonprofit organizations or NGO’s at item 77 (this reads “Is your job with (1) a private company, business or individual for wages, (2) the Federal government, (3) a State, county, or local government, or (4) yourself, in your own business, professional practice, or farm (SELF-EMPLOYED)?”).

Incident Report (NCVS-2)

- For respondents with a series of incidents, the interviewers noted they would like a more streamlined way to ask about things.
- Some interviewers noted that it was unclear what to count as a crime, when interviewing people who work in places or professions dealing with the mentally handicapped or serially violent people (e.g., police, mental health professionals, prison guards). If a person is subject to verbal assault repeatedly in this type of environment or with this clientele, does that count? Some respondents didn’t think it should be included, it’s just part of their job. The interviewers could use more guidance on this, it should be included in the training so they can help respondents report/not report as intended by BJS.

- For restart interviews – those that broke off midstream and are restarted by a different interviewer – restarting the survey and especially completing the incident summary at the end of the incident report is very difficult as the “new” interviewer has not heard the entire context for the incident.
- The interviewers noted that they would appreciate some sort of “bailout” for mistaken reporting of crime incidents – things that were mentioned but out of the reference period, or duplicate incidents.
- For questions at which the interviewers were instructed to answer on their own rather than ask the question, the interviewers were asked if they would like to see all caps and an instruction (e.g., DID R TELL YOU THAT SOMETHING WAS STOLEN (VERIFY IF NEEDED)?) – they all agreed that this would be helpful.

Other Issues

- Some interviewers had difficult interviews, and were grateful for the presence of team leaders (available over instant messaging at any time) when this occurred.
 - One interviewer noted when she interviewed a victim, the offender was sitting next to the respondent – this was a sensitive situation and the interviewer asked the team leader to listen in and offer any guidance warranted during the interview.
 - The variation in content interview to interview was “jarring” at times, we had few reports of very serious crimes such as domestic violence situations, those who encountered them mentioned that they appreciated that their training had included an example of exactly this type of interview.
- The interviewers reported resistance to our request to speak with multiple adults per household (in households with two or more adults, two or three were selected to be interviewed).
- At the conclusion of the initial (household respondent) interview, when we asked to speak with others respondents would ask why we needed to talk to them, given that they had just completed the survey.
 - “Why does someone else need to talk to you?”
 - “You’ll just get the same information I just told you!”
- For adult children living away at school, there was resistance to providing contact information for them. Parents frequently would not provide a phone number to reach the selected young adult.

- Obtaining contact information for additional adults when the initial adult was interviewed on a personal cell phone was difficult.
 - This included not being willing to provide a cell phone number for the other adult(s), and also being told that the other adult(s) had no phone.
 - Absent any new contact information, we continued to call the original cell phone number which often led to refusals by the initial/household respondent.
- For some respondents, different phone numbers were provided over time – for example a work phone number may have been provided by one respondent for another respondent, but upon calling that we were asked to not call the person at work. A better way of getting to different phone numbers for the case would be helpful – in this type of situation being able to switch back to the household phone number would have been beneficial.
- Sometimes this information would be included in messages left by interviewers following call attempts, but the system will not automatically dial those, it requires using the instrument to switch to another phone number (and this requires dialing the phone number currently set for the interview first, then switching to another phone).
- The interviewers asked if we could add a closing statement, for households with only one adult. The current text states “Let me check and see if there are others I need to speak with” (this is standard for all cases), they wondered if we could bypass that for single-adult households and go to a closing/thank you screen instead.

Despite the difficulties they experienced in administering the survey instruments, the interviewers all noted that they had really enjoyed the study – they felt it was important and useful, and noted that people would tell them a story. They would like to work on the project again.

5.4 Behavior Coding and Monitoring

In order to assess the CATI implementation of CS interviews, Westat recorded all interviews where the respondent gave permission to record. Project staff listened to many of the recordings, both to understand how interviewers and respondents reacted to the questionnaire and as part of the type-of-crime (TOC) coding process described in the next chapter. Because of the interest specifically in the NCVS-1 in the telephone environment, we selected 100 interviews (of which 97 were coded), 50 where an incident was reported and 50 with no reported incident, to have interviewer and respondent behaviors coded. Generally, the idea of behavior coding is to quantify deviations from a “perfect” interview by question and type of deviation. Where such deviations occur frequently, there may be issues with the question itself, with answer categories provided, or with interviewer training.

This section will present the results of the behavior coding, and include as well observations from monitoring and coding review of recordings.

The interviewer and respondent behaviors coded are shown in Table 5-1. A code was entered for each question from categories IA, IB, and IIA. Other code categories were used only when the behavior was observed. Coders were encouraged to write notes on the coding sheet where problems occurred describing the problem. Four coders received a 4-hour training before starting the review. Each coder listened to and coded 23-25 interviews.

Table 5-1. Interviewer and respondent behavior codes used in NCVS-CS pilot

I. Interviewer behaviors	Codes
A. Read question exactly as written	No change, minor change, major change
B. Recorded response correctly	Yes, no, can't tell
C. Confirmed previously reported information	Occurred
D. Failed to acknowledge previous information	Occurred
E. Repeated all or part of the question	Occurred
F. Used other probe	Occurred
G. Offered other clarification	Occurred
H. Task-oriented comment	Occurred
II. Respondent behaviors	Codes
A. Codeable response after question was read once	Yes, no, can't tell
B. Interrupted interviewer to provide a response	Occurred
C. Asked for clarification	Occurred
D. Commented on interview process	Occurred
E. Volunteered additional information	Occurred

A complete tabulation of the results is presented in Appendix C. There were no major issues with individual closed-ended questions in the NCVS-1 probes. Most of the problems identified were with minor changes to the wording of the question. Almost 3,800 questions were coded; 16 percent of the questions were flagged as minor rewordings, and about 5 percent as major rewordings, most commonly failing to read through to the end of the question. None of the other interviewer behaviors occurred in more than 2 percent of the questions overall. Interrupting the interviewer with a response (3.3% of questions coded) was the most frequently observed respondent behavior other than simply answering the question. Respondents also asked for clarification in 2.4 percent of questions coded, and volunteered additional information in 2.6 percent. Thus, most interview sections were simple “question, answer, question, answer” sequences.

Appendix D has a representation of the questions that were reviewed, annotated with findings of note and suggestions for possible revisions. Some specific issues included:

- Respondents often interrupted the first crime probe with an answer before the interviewer finished reading the question. The proper interviewer behavior is to finish reading the question, perhaps adding a process comment such as “I’m sorry, I’m required to read the entire question.” Most respondents learn quickly that interrupting will only slow down the interview. But, if the interviewer does not finish the question or make a process comment, the respondent will likely continue to interrupt, as the questions can seem long and/or repetitious.
- At the end of a group of probes, if there has been a positive response to one or more, the interviewer asks, “What happened?” and “How many times did this happen?” These questions do not necessarily flow with the probe sequence, and interviewers struggled some getting the respondents to understand what was needed.
- Interviewers were instructed to record a brief description of each incident to refer to later. There was considerable variation in how much and what information interviewers wrote in this description, and in the probes they used to elicit the information.
- The questions with the most problems identified, for both interviewers and respondents, were the first crime probe and the question on number of vehicles owned. Both are long and complex.

Monitoring and coding reviews of the recorded interviews yielded the following observations with regard to the NCVS-2:

- The most problematic item was Question 88 (“Was anything stolen?”), which is intended to be asked only if it is not obvious from previous questions or what the respondent has said. Many interviewers asked the question, or even read it as “Was anything else stolen?” Either way, the responses were then often quite misleading to coders.
- Generally, the flow of the NCVS-2 is not intuitively obvious; interviewers have to be very aware of what has been said previously, and even if they perform impeccably, some of the NCVS-2 questions appear to be non sequiturs.
- Two concepts critical to TOC coding, presence and location, were also difficult for interviewers and respondents; incorrect interpretation of these concepts led interviews down inappropriate skip trails.

Chapter Highlights and Key Findings

- Information on NCVS crime coding is not publicly available.
- The NCVS instruments are difficult to administer and inaccurate implementation can have a large impact on the type of crime codes.
- When questions driving skip patterns were recorded incorrectly by the interviewer, crime coding was difficult. The same was true of interviewer use of the “other” category (which also impacted skip patterns).
- The concept of “presence” is not well understood and differences in coder opinion caused differences in coding. The same was true with the definition of a “weapon.”
- Coder reliability was low. Almost 20 percent of incidents were coded differently by the two researchers leading the coding process.

Since the primary goal of the CS Pilot was to assess the feasibility of the study design, post-collection data processing was minimal, limited to editing variables required for weighting and coding type of crime (TOC). New variable construction was focused on generating the TOC code used by BJS for estimation.

6.1 Crime Classification Process

Information is not publicly available on the TOC coding process. Westat staff was provided with a flow chart illustrating how Census used the NCVS-2 variables to determine the appropriate TOC code. A copy of the flow chart is provided in Appendix E. Westat also received a table with the Census specifications based on this flow chart. This Census specifications table is provided in Appendix F. The table in Appendix G summarizes the Census specifications; note that the codes are assigned in order of severity and so may not be in numerical order.

Westat used these specifications to develop a SAS program to generate TOC codes based on the CS data. The code was run on the raw pilot data as recorded by CS interviewers. In the course of working through the TOC coding step, the research team learned that a Census coding team reviews

every incident recorded in the NCVS. The coders review interviewer text and make a determination of whether the raw data were recorded accurately. Coders work from a set of guidelines for updating the data, and use a computer-aided system developed specifically for this purpose. When the coder is uncertain, the case is referred to Census Headquarters (HQ) for additional review. Census shared the coder manual with Westat (provided in Appendix H) and also spoke with us about some of the HQ decisions.

Westat staff implemented a similar review process for the CS. Each TOC code was reviewed by the research team in concert with the written descriptions for each incident. Incidents where the text description did not match the intent of the code were identified for potential re-coding. Since this was a feasibility study, the team only re-coded the TOC, and did not recode the underlying raw data, which differs from Census procedures. For example, if a text description indicated that a respondent was “not present” during a crime, the Census staff would recode Q20A and Q20B accordingly. Westat staff only recoded the TOC, and did not edit the underlying CS data.

Based on Census documentation and discussions with Census staff, key factors that reviewers looked for in their assessments included:

- **Whether the incident qualifies as an NCVS victimization.** Some reports do not qualify as a crime. For example, a car accident does not qualify as a crime (unless there is also an apparent intent to harm). There are also crimes that do not qualify as an NCVS code-able crime. Examples include bank fraud, vandalism, and exhibitionism. Finally, being a witness to a crime (including gang violence) was not considered an NCVS code-able victimization.
- **Whether an item was stolen.** There was some confusion associated as to whether question 88 (something stolen) referred to “something else” not yet reported. This seems due to apparent redundancy between the NCVS-2 and NCVS-1. A substantial portion of Westat’s revised codes are attributable to the miscoding of question 88.
- **Whether stolen items belonged to an eligible HH member.** If the stolen property belonged to a minor, then theft could become out-of-scope, depending on the location of the theft; per Census, theft of property belonging to a minor, such as toys and backpacks, are considered out of scope if stolen away from home. There are also cases where the respondent reports theft of items belonging to someone outside the household (a friend or an employer, for example) – these incidents were also considered out of scope.
- **Whether a theft inside the home counts as burglary.** The review process included a check on whether the offender had the right to be in the home. If the offender was a guest or repairman (for example) then the theft was not a burglary but larceny.

- **Whether the respondent was present during the victimization.** Per Census, the respondent and the offender must be in the same space to count as presence (i.e., presence implies participation in the victimization); for example, an offender outside in the yard and the respondent asleep inside would not be considered “present.”
- **Whether mentions of “vacation homes” and “hotel rooms” were treated correctly.** Under some circumstances locations that best fit categories of “vacation homes” or “hotel rooms” were applied to an “other specify” category. This coding would result in inappropriate skip logic and the TOC code often required revision.
- **Whether there was a break-in.** When the coded response to question 10 did not match a review of the summary victimization text, (for example a “vacation home” coded as “other”), then questions focused on evidence of a break-in were not administered. Other classification difficulties we experienced were in correctly classifying garages – again, a review of the text was needed to correctly identify garage break-ins. If the text description indicated damage or used a version of the phrase “broke into the garage,” then the reviewer considered it a break-in. Exceptions included public garages.
- **Whether an object recorded as a weapon is considered a weapon by the NCVS.** There are some weapons reported in the NCVS-2 that are not considered to be a weapon when assigning TOC codes. An example is a Taser gun. If an offender shoots a victim with a Taser, then it is not considered a weapon by the NCVS. On the other hand, if the Taser is used as an object to hit a person, then it will be considered a weapon. The strict interpretation of weapons, or when an item may be considered a weapon, resulted in TOC recodes.
- **Whether a thrown object is considered a weapon by the NCVS.** Thrown objects require special handling and review. If there was serious injury, then the thrown object counts as a weapon. If there was minor injury, then weapon-status is based on the age of the offender – if known to be 12 or younger, then the thrown object is NOT considered a weapon (if older or unknown, then it is treated as a weapon). Finally, if the respondent was not injured, then Census does not generally consider the thrown object a weapon. It may be there are exceptions (for example, large rocks repeatedly thrown at the victim may be counted as a weapon).
- **Whether the incident qualified as a face-to-face threat.** Threats made over the Internet or telephone are not considered an NCVS threat. The same is true of threats delivered by a third party. Also, the research team concluded that threats (implied or otherwise) made from perpetrators in cars would not reach the threshold of a face-to-face threat.
- **Whether a police officer was named as the offender.** If police are named as offenders then the reviewer must assess whether the case requires re-coding. If the perceived offense was completed in the line of duty, (such as writing a ticket/citation), then the incident is removed. Also, mere presence of a weapon is not considered in coding the crime since most officers are armed as part of their job.

- **Whether a response of “other/specify” affects the TOC code.** In some cases a Westat interviewer may have selected “other/specify” to describe a feature of the incident (for example, in describing what was stolen or the type of injury). The other/specify responses were reviewed to determine whether they could be coded to an existing category. Note that this is the one review process in which the Westat team recoded the variables before sending the data through the SAS code to determine the TOC.
- **Whether the incident was a duplicate.** Reviewers checked incidents reported within a household to identify duplicates. In some cases an incident was recorded more than once in the NCVS1; in other cases multiple household members reported the same theft (although this, interestingly, was rare).

6.2 Sensitivity Analysis

A member of the research team reviewed all incident descriptions and determined whether a revised TOC code was warranted. To assess the stability of the coding process, a second member of the research team reviewed a sample of incidents. All personal crimes (n=173) were selected for double coding (this includes TOC codes 01 through 23). In addition, a random sample (n=50) of other coded crimes (TOC codes 24 through 41) was selected, and a random sample (n=50) of NCVS-1 reported incidents that did not achieve an NCVS TOC code.

Out of the 273 cases that were double coded, 50 were coded differently by the two reviewers (18%). Of the 50 discrepant cases, 38 were personal crimes (a 22% disagreement rate), 3 were other code-able crimes (a 6% disagreement rate), and 9 were from the un-coded incidents (an 18% disagreement rate). The first reviewer used the SAS data to review the additional information available, while the second reviewer relied solely on the text descriptions. Some of the differences were due to additional information available to the first reviewer. Many of the other differences were attributable to differences in how the reviewers interpreted the presence of weapons, and also to the assessment of whether a reported threat counted as “face-to-face.”

All differences were adjudicated by four of the study researchers: two were the primary and the secondary reviewers, and two were senior staff well-versed in the NCVS data and crime statistics in general. Each difference was reviewed and a final code was determined using a combination of the data, the Census documentation and discussions, and expert judgment by the review team.

Extent of Code Revision. The resultant reviewed codes were then compared with the original TOC code based on the raw data: 22 percent of TOC codes were changed in the review process. This 22 percent (n=330) was distributed as follows:

- 10.5 percent is attributed to cases initially coded as out-of-scope but coded in-scope after the review;
- 4.2 percent due to cases coded in-scope originally but coded out-of-scope after the review; and
- 7.1 percent is attributed to changes in the TOC code, from one in-scope code to a different code post-review.

The majority of cases that were revised from out-of-scope to in-scope (bullet 1 above) were changed due to interviewer and respondent misinterpretation of questions 88 and 89 (theft/attempted theft). As already indicated, many Westat interviewers and respondents thought that these questions were asking about something “new” or in addition to the current report (rather than a confirmation of the theft reported in the NCVS1). More than three-quarters of the cases changed from out-of-scope to in-scope are attributable to the confusion surrounding questions 88 (actual theft) and 89 (attempted theft). We expect much of this misinterpretation was due to interviewer error. The Westat interviewers did not administer the NCVS2 very often, and based on the audio recordings it seems that many interviewers had assumed that questions 88 and 89 were attempting to collect new information, rather than confirming information already collected. Should the next phase of the Companion Study utilize an interviewer-administered survey, we would recommend enhancements to the CATI, to interviewer training, and to interviewer monitoring that would alleviate this problem.

Violent Crime. Some cases were not originally coded as violent crime but were revised in the review process. There were 17 incidents not initially coded as a violent crime revised to violent crime in the review process (in this case we define violent as including TOC codes 01 through 17). In a few cases the respondent seemed to be reticent to admit the crime. For example, a rape in which the victim expressed feelings of shame and self-blame did not respond affirmatively to the closed-ended questions when prompted, but from the open ended description it is a clear case of rape. In another case, the respondent described clear domestic assault but did not report an attack in the closed-ended questions. Conversely, there were 24 cases originally coded as violent that were changed (either to non-violent or to out-of-scope) in the review process. Many of these cases involved an affirmative response to the weapon question, but based on the text description it was clear that the

object was merely used to gain entrance to property (for example, a screwdriver or bolt cutters used to enter a building or to remove a bike lock).

6.3 Recommendations

The TOC coding process was very instructive to the Westat team and points to challenges in using the NCVS instrumentation as the only tool to settle on the correct TOC code. As part of the review process the Westat research team listened to many interview recordings to determine whether the data captured accurately portrayed the incident. It was clear that there was sometimes a disconnect between the description of the incident and the individual data points recorded. Since many NCVS2 responses drive skip patterns, a misstep early on in the interview process can have major implications for the remainder of the data collection. For example, if a garage was coded as “near home” rather than “in the home” then questions about evidence of a break-in are never asked. Due to the sensitivity of the NCVS2 instrument, we conclude that an unfamiliar research team will face challenges in administering the instrument successfully.

With an interviewer manual more than 900 pages long, we would anticipate that even Census interviewers are challenged to absorb the entirety of the training on a specific questionnaire item when in the field. Given how fragile the instrument can be, and given the nuance of some key concepts (such as “presence” or “weapon”), we wonder whether a post-interview form could help improve the information available to the Census coders. One idea would be something as simple as a checklist the interviewer must complete after each interview, asking for more details on key components of each incident (for example: location, evidence of a break-in, presence, weapons, theft, etc.)

If the next phase of the Companion Study utilizes telephone interviews to collect NCVS2 data, we recommend the following changes and enhancements to the design:

- Update the interviewer monitoring plan to include both “live” monitoring as well as monitoring of audio recordings. This will ensure we can listen to each interviewer as they implement the NCVS2. (“Live” monitoring was unable to catch many interviewers as they were implementing the NCVS2.) A potential challenge with this is that the monitors would need to be well versed with NCVS and its nuances.
- Incorporate a post-interview report form that allows interviewers to answer questions about key details of each incident (for example, presence, location, injury, etc.)

- Lengthen the interviewer training time and spend more time discussing the relationship between the NCVS1 and the NCVS2. Also consider adding a discussion on TOC coding to the training in order to provide more context to the interviewers.
- Revise the initial study introduction text in CATI so that respondents understand the structure of the interview and the order of questions. This would include a description of the NCVS1 (probes to support recall and identify incidents) and the NCVS2 (details about each incident).
- Provide more on-screen help to interviewers for critical items (e.g., Q10, Q20, Q23, etc.)
- Conduct a post interview debriefing after the interviewer's first completed NCVS2. Test their understanding of critical items and coach them on areas where difficulty of confusion was observed.

Chapter Highlights and Key Findings

- Weights were generated at the household, person, and incident level.
- The NCVS household weights are based on the weight of a “principal person.” The Companion Survey did not have comparable screening information and so instead computed final household weights based on control totals from the Decennial Census.
- The Companion Survey estimates are not bounded, which differs from the NCVS which uses the first wave panel data to bound the second wave.

The core NCVS has weights at various levels and we computed comparable weights for the CS. The weights for the CS are, like those for the core, at the following levels: (1) person, (2) household, (3) victimization, and (4) incident. Although we followed the weighting procedures used in the core generally, for several reasons we used procedures that were more appropriate for the CS. The rationale for deviating from the core procedures was that not all of the core NCVS weighting steps are possible or applicable to the CS. For example, the core is a national sample, with a rotating panel design and a six month recall period, but the CS is a cross-sectional survey with a 12-month recall conducted only in Chicago.

The major differences from the core weighting procedures are mentioned first, and then we describe the specific procedures for the CS in the sections that follow. The first-stage ratio estimate factor is not applicable for the CS because that is used in the NCVS to adjust for selecting one PSU in non-self-representing strata; the CS does not have that design feature. The bounding adjustment for victimizations in the first wave interview is not applied since only one interview is conducted for the CS. The weighting control factor, new permit factor, and weighting factor cap are also not applicable. The within household noninterview factor used in the NCVS to adjust for nonresponding persons within responding households is a weighting class adjustment; we chose to use raking to control totals for this purpose. The core household noninterview factor could not be applied because in the CS we do not identify a head of household for nonresponding households.

Another important difference is that the core NCVS uses the “principal person” procedure to compute a household weight, whereas the CS uses the inverse of the household’s inclusion

probability from the address frame. The CS household weights are then adjusted for screener nonresponse and poststratified to Census 2010 household totals.

The CS uses the collection year format for all analyses, where all victimizations are counted in the year reported (as opposed to the data year format, where victimizations are counted in the year they occurred). This is consistent with the data collection procedure used in the CS. With the collection year format, the person crime rate is the sum of all victimization weights for 12 months divided by the sum of all person weights for 12 months. In the core, the rate is multiplied by 2 to compensate for the 6-month recall period; since the CS asks about crimes in the last 12 months, the factor of 2 is not needed.

Each step of weighting was done separately for the Approach 1 and Approach 2 samples. This was done because the goal is to compare estimates from these samples separately to the core NCVS. The Approach 1 and Approach 2 samples are analyzed separately, and there are no plans to combine the two.

7.1 Household Weights

7.1.1 Household Base Weights

The ABS frame was stratified into two strata: (1) City of Chicago, and (2) Remainder of Chicago CBSA and a stratified simple random sample of addresses was selected. The City of Chicago stratum was sampled at a rate that was 1.5 times that used in the remainder stratum. A sample of 12,500 addresses was selected for Approach 1 and 14,000 addresses for Approach 2. The household base weight is equal to the inverse of the probability of selection for the household's address. As a result, the sampled households for each approach weight up separately to the entire Chicago CBSA.

In Approach 2, 50 percent of the households that did not respond to the mail screener (by a specified date) but had a telephone number available were subsampled. Only the subsampled mail nonrespondents were sent for the household telephone interview. This subsampling is reflected in the household base weight for the household telephone screener for the Approach 2 cases but not for Approach 1 where there was no subsampling. The household base weight for the mail screener does not include this subsampling.

7.1.2 Household Nonresponse Adjustments

In the Approach 1 sample, a household is considered to be a respondent if there is a completed household NCVS screener instrument on the telephone. A nonresponse adjustment was done for the household telephone screener so that the households with a completed screener represent not only the nonsampled households, but also the nonresponding households. Weighting classes for the nonresponse adjustment were defined by whether or not the household’s address had a matching telephone number from the vendor, by metro status (city of Chicago, remainder of Cook County, other counties in Chicago CBSA) and race characteristics of the Census 2010 tract where the household is located (<=30% Black and Hispanic population, >30% Black and Hispanic population).

In the Approach 2 sample, because of the two phases in the household screener (mail and telephone), a household may be a respondent at each level. A household is a respondent at phase 1 if it returns the completed mail questionnaire. A subsampled household at phase 2 is a respondent if there is a completed household NCVS screener instrument on the telephone. The definition of phase 2 household response in Approach 2 is the same as the definition of household response in the Approach 1 sample.

A separate nonresponse adjustment was done for both the mail and telephone screeners, using the same weighting classes as in Approach 1 above. The nonresponse adjustment factor for the telephone screener was applied to the household base weight that reflects the subsampling of mail screener nonrespondents prior to administering the telephone screener in Approach 2. Thus there are two household weights for Approach 2, corresponding to the mail and telephone screeners. Approach 1 only has one household weight because there was no subsampling.

The nonresponse adjustment factor for the mail and telephone screeners was calculated within weighting classes as:

$$NR\ Adj\ Fac = \frac{\sum_{i \in eligible} hh\ base\ wt_i + .87 * \sum_{i \in unknown\ residential\ status} hh\ base\ wt_i}{\sum_{i \in eligible\ respondent} hh\ base\ wt_i}$$

where the numerator includes an estimate of the number of residential addresses among those whose residential status is unknown. The percent residential was estimated to be 87 percent using the CASRO approach (CASRO 1982).

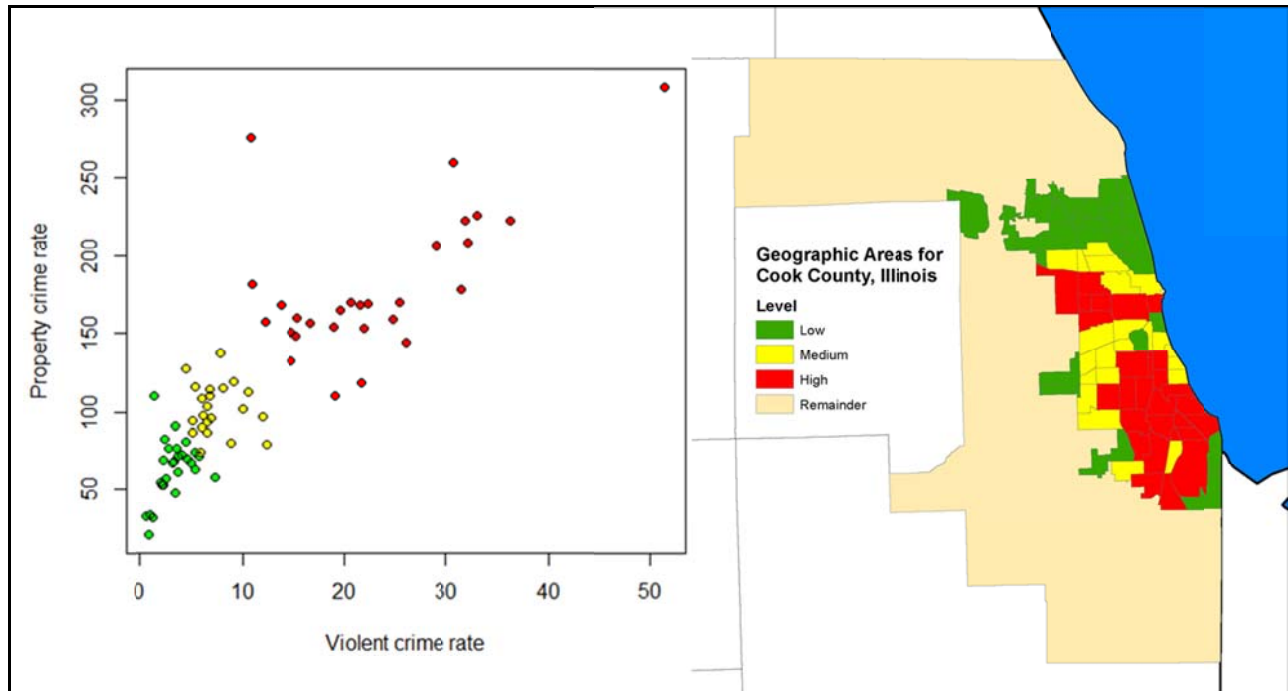
7.1.3 Household Poststratification

The nonresponse-adjusted household weights for the two approaches were poststratified separately to Census 2010 occupied household control totals based on geographic areas and tenure. The weighting classes were constructed using a cross-classification of geographic area by tenure (owner-occupied or renter-occupied). The geographic areas were defined as follows:

- Three subdivisions of the City of Chicago (low, medium, high), based on crime rates obtained from Chicago Police Department data (gis.chicagopolice.org, retrieved 9/6/12).
- Remainder of Cook County, Illinois, excluding the City of Chicago
- The other 13 counties in the Chicago CBSA.

The map below shows the three subdivision of the City of Chicago within Cook County, based on their property and violent crime rates shown in the plot.

Figure 7-1. Crime rates from Chicago Police Department



- Three subdivisions of the City of Chicago (low, medium, high), based on crime rates obtained from Chicago Police Department data (gis.chicagopolice.org, retrieved 9/6/12).
- Remainder of Cook County, Illinois, excluding the City of Chicago
- The other 13 counties in the Chicago CBSA.

The final household weights sum to 3,475,726 for each approach.

7.2 Person Weights

The person weights were computed in two steps. First, the base weight for the sampled person was computed and multiplied by the household weight. Second, the weight was then raked to account for nonresponse and undercoverage.

7.2.1 Person Base Weights

The within-household person base weight was calculated as the ratio of the number of adults in the household to the number of adults selected from the household. The overall person base weight was calculated as final household weight times the within-household person base weight. For Approach 2, the final household weight for the telephone screener was used to calculate the person weight.

7.2.2 Person Weight Raking

The person base weights were raked separately for each approach to the same population control totals based on age, sex, race, and geographic area from the 2010 census for the Chicago CBSA. The raking had three dimensions:

- **Geographic areas as defined above.**
- **Age by race.** For race, the three categories were: Hispanic, black non-Hispanic, and other non-Hispanic. The age classes were: 18 to 24, 25 to 34, 35 to 44, 45 to 54, 55 to 64, 65 or more.
- **Age by sex.** The same age classes used in dimension 2 were used.

Within the age 18 to 24 category, race categories were collapsed for the second dimension and gender was collapsed for the third dimension. This was done so that a minimum of 40 respondents were available in the age category to prevent excessively large raking adjustment factors.

7.2.3 Person Weight Trimming

The distribution of the raked person weights was skewed to the right due to some very large outlier weights. These large weights resulted primarily from the subsampling of adults in large households and low response rate in 18 to 24 age group (especially for Blacks and Hispanics). To reduce the potential problems associated with outlier weights, the raked weights were trimmed.

Trimming was done separately by approach, and the trimmed weights were raked to the same control totals so that the control totals were preserved. The initial trimming threshold was set to the 99th percentile of the person distribution for each approach. The trimming and raking was repeated

iteratively as needed to avoid large weights. The result was that 1.7 percent of the weights were trimmed for Approach 1, and 2.4 percent were trimmed for Approach 2.

The final person weights for each approach sum to 7,083,295.

7.3 Victimization and Incident Weights

The victimization weight was calculated as the person weight for personal crimes, and the household weight for property crimes. The only difference from the core NCVS is that the bounding adjustment is not used, since each household is included only once in the sample rather than through a panel.

The incident weight was also calculated the same as in the core NCVS, as the final person weight times the multiple victim adjustment factor, where the multiple victim adjustment factor is the inverse of the number of victims in the incident (the number of victims was truncated at 10).

The victimization weights sum to 2,702,943 and the incident weights sum to 2,603,429 for incidents that were classified as in-scope for the NCVS.

Table 7-1 is a general guide to how the household, person, victimization and incident weights are used. Examples of how to use the weights to calculate victimization rates and other estimates are given in Appendix I.

Table 7-1. General guide to using the household, person, victimization and incident weights

Weight	Use for Calculating:
Household Weight	Household property crime rates, household level estimates
Person Weight	Person violent crime rates, person level estimates
Victimization Weight	Household property or person violent crime rates, victimization level estimates
Incident Weight	Incident level estimates

7.4 Variance Estimation

Standard errors of the estimates will be computed using a jackknife replication method. The replication process repeats each stage of estimation separately for each replicate. The replication

method is especially useful for obtaining standard errors for complex statistics. The standard errors may be computed using the complex survey data analysis package WesVar, or other software packages that use replication methods such as Stata, SAS, SUDAAN, or R. Variables are also included for users who wish to use Taylor series linearization to compute standard errors.

Because the sample was a simple stratified random sample of addresses, we used a paired jackknife replication method, again separately for each approach. The addresses within stratum were first paired in the order sampled and randomly assigned to be either unit 1 or unit 2. The pairs then were assigned to variance stratum sequentially starting with 1 and going to 80 and then restarting at 1 and continuing. As a result, for each approach there are 80 variance strata and each record has a variance unit of either 1 or 2. The variable for the stratum is called VARSTRAT and for the unit is called VARUNIT. Once the replicate variables were defined in this manner, the exact same set of weighting procedures was done separately for each replicate.

A set of 80 jackknife replicate weights was created for each household, person, and incident.

Standard errors can be computed using WesVar by including the appropriate set of replicate weights (household, person, victimization or incident) and using the JK2 replication method (see Rust and Rao (1996)). This same method can be implemented in other replication packages by using a factor of unity to multiply the squared differences of the replicate estimates from the full sample estimate, i.e.,

$$v(\hat{\theta}) = c \sum_{g=1}^G (\hat{\theta}_{(g)} - \hat{\theta})^2$$

where $\hat{\theta}_{(g)}$ is the estimate of the full-sample estimate θ based on the observations included in the g -th replicate, $c = 1$, and G is the total number of replicates (80 in this case).

For Taylor series procedures a with-replacement approximation will roughly produce the same standard errors, although these linearization procedures do not fully account for the poststratification and raking adjustments. For example, in the SAS survey procedures VARSTRAT is the “Nest” variable and VARUNIT is the “Cluster” variable.

References

- Council of American Survey Research Organizations (CASRO). (1982). On the definition of response rates (special report of the CASRO task force on completion rates, Lester R. Frankel, Chair). Port Jefferson, NY.
- Rust, K.F., and Rao, J.N.K (1996). Variance estimation for complex surveys using replication techniques. *Statistical Methods in Medical Research*, 5, 281–310.

Chapter Highlights and Key Findings

- The Companion Survey produced higher victimization rates than the NCVS.
- The higher victimization rates for the Companion Survey occur even though it has a much lower response rate for population groups that typically experience more victimizations.
- The mail screener used in Approach 2 was a good predictor of whether a victimization would be reported in the telephone interview.
- There was no evidence of interviewer effects in reporting victimizations.

8.1 Victimization Rates: Comparison with National NCVS Estimates and Estimates from the Chicago Police Department

In this section we present estimated victimization rates from the two approaches taken in the CS, along with the national NCVS estimates for 2011 and estimates of crimes reported to the Chicago Police Department. Section 8.1.1 discusses potential sources of differences between the CS, the NCVS, and the Chicago Police Department records. Section 8.1.2 presents estimates for property victimizations, and Section 8.1.3 presents estimates for violent victimizations.

8.1.1 Why Might Estimates from the NCVS, the CS, and the City of Chicago be Expected to Differ?

Before collecting data, it was conjectured that estimates from the CS might differ from the NCVS estimates. The CS design has a number of divergences from the NCVS design which might cause the estimates to differ. We review some of the differences below.

- **Target population.** The NCVS target population consists of persons aged 12 and older who reside in households or group quarters; persons who are living in institutions such as prisons and nursing homes or are living in military barracks are excluded. The CS target population consists of persons aged 18 and over who reside in households. The

CS sampling frame does not include addresses of group quarters, so persons such as dormitory residents are included in the CS only if they are included on a household roster for a household in the ABS frame.

- **Coverage.** The list frame used by the CS has an estimated coverage of 97 percent of residential households. All interviews were conducted by telephone, so nontelephone households were excluded from the survey. The frame was intended to cover only the residential population, and group quarters (9 or more unrelated adults) were to be excluded. We anticipated that the ABS frame would include certain group quarters, such as Assisted Living centers where the address is unit-based rather than center-based. If a mail screener was returned indicating 9 or more adult residents, the address was considered out of scope⁴.
- **Sponsorship.** The NCVS data are collected by the Census Bureau, while the CS data were collected by Westat under the sponsorship of the Bureau of Justice Statistics.
- **Subsampling.** The NCVS attempts to interview all persons aged 12 and over in selected households. The CS interviewed two randomly selected persons age 18 or over in the selected households. Subsampling adults and excluding minors would be expected to result in fewer reported property crimes.
- **Bounding and recall period.** The NCVS asks about victimizations occurring in the last 6 months, while the CS asks about victimizations occurring in the last 12 months. Moreover, the second through seventh NCVS interviews are often bounded by the previous interview so that telescoped victimizations are not reported for those interviews. NCVS respondents on later interviews may also have panel conditioning effects as they become more familiar with the survey. The lack of a bounding interview in the CS means that telescoping may occur. Additionally, respondents may have better recall for more recent incidents than for incidents occurring 11 or 12 months ago.
- **Interviewer and mode effects.** Previous studies with the NCVS have shown that interviewer experience is related to numbers of victimization reports received. In 2006, with the introduction of new primary sampling units (PSUs) and the transition to CAPI, estimated victimization rates increased, and CAPI interviews in the incoming PSUs had more victimization reports than CAPI interviews in the continuing PSUs (Rand, 2008). This effect was thought to be due to new interviewers. Truman and Planty (2012) discuss experiments conducted during 2011 to investigate the effects of field representative refresher training. Since all of the interviewers in CS were new to the survey, similar increases in victimization rates might be expected. Centralized CATI was used for the CS, with no initial in-person contact as with the NCVS, and the mode may lead to different responses. Rand (2009) suggests that the amount of time spent on the screener questionnaire (NCVS-1) may decrease victimization reports, noting that for the NCVS: “Analyses of time stamps (available since the survey was automated in 2006)

⁴ We believe that some households may have entered ages in the household composition matrix, rather than the count of individuals of a certain gender-age group. Since we could not determine which of these surveys were indeed group quarters and which were measurement error we decided to treat all such returns as group quarters so long as the count of adults exceeded 8.

indicate that many interviewers are routinely not taking sufficient time to ask the full battery of questions.”

- **Coding.** As described in Chapter 6 the type-of-crime coding for NCVS is a complex process. The CS coders, new to the process, may classify crimes differently than NCVS coders. In addition, the NCVS discards victimization reports that are missing the month in which the victimization occurred, while the CS includes any reports that the respondent said occurred within the past 12 months.
- **Nonresponse.** A priori, we expected differing nonresponse rates to be the biggest potential source of differences between the NCVS and CS. The divergence could have gone in either direction. The highest victimization rates are typically found among demographic groups that tend to have the lowest response rates, so it might be expected that nonresponse would decrease reported victimizations.

On the other hand, victims may be more likely to respond to the survey because they are more interested in the topic. The study by Duhart et al. (2001) supports this view, finding that NCVS respondents in hard-to-contact or initial refusal households reported slightly fewer property victimizations. A test with the Scottish Crime and Victimization Survey (Hope, 2005) found lower victimization rates among those interviewed in person (67% response rate) than among those interviewed by telephone (49% estimated response rate); telephone refusers who were later converted had lower victimization rates than the initial telephone respondents. Although the non-contact rate was slightly lower for the telephone survey (9%) than the in-person survey (13%), the refusal rate was 41 percent for the telephone survey but only 17 percent for the in-person survey. Using the design weights, Hope (2005) found the following victimization rates in the survey:

	In-person	Telephone, all	Telephone, converted refusals
Household crime	14.1	15.5	13.1
Personal crime	4.0	7.2	4.6

Hope (2005) also found that using weighting adjustments based on demographics did not resolve the differences in victimization rates for the two surveys.

Data were available from the City of Chicago police department on number of crimes for each type that occurred within each Chicago Community Area during the preceding 12 months. Data were retrieved from <http://gis.chicagopolice.org> on September 6, 2012, for the 12-month period of September 6, 2011 through September 5, 2012. The Chicago reports include some crimes that are not classified as crimes in the NCVS. They also include crimes that are out-of-scope for NCVS, such as arson, homicide, and crimes that occur to minors or to commercial establishments. The largest potential sources of expected differences between the Chicago statistics and those from the Companion Survey or the core NCVS are: (1) the NCVS records victimizations at the respondent’s residence, while the police records list victimizations at the place of occurrence or reporting. This

means that areas with high numbers of persons commuting in, such as the Chicago Loop, will have relatively higher crime reports from the police records than in NCVS, and suburban areas will have relatively lower crime reports. (2) The Chicago Police Department records contain only crimes that are reported to the police. (3) The Chicago Police Department defines types of crime differently than the NCVS. Violent crime, for example, includes homicide and manslaughter and property crime includes arson and vandalism.

The Chicago Police Department records, therefore, would not be expected to accord with estimates from either the NCVS or the CS. However, they would be expected to be correlated with the victimization rates for the geographic areas.

8.1.2 Property Victimization

Table 8-1 gives the estimated property victimization rates for Approach 1 and Approach 2, along with 95 percent confidence intervals. The property victimization rates were calculated using the final household weights described in Section 7.1. The replicate household weights were used to calculate the confidence intervals. The 2011 national NCVS rates for crimes are from Truman and Planty (2012). Note that the scope differs for the estimates from the CS and the national NCVS: the CS estimates are for the adult population of the Chicago CBSA, while the national NCVS estimates are for the national population aged 12 and higher. For that reason the last column of Table 8-1 gives NCVS estimates calculated using the respondents aged 18 and higher in the Chicago CBSA for the 3-year period 2009-2011. These estimates have larger standard error than the national NCVS estimates, but are specific to the CBSA and restricted to the adult population.

Table 8-1 shows that the estimated property victimization rates from the CS are approximately twice those of the National NCVS. The rates for Approach 1 and Approach 2 are not significantly different. Within the city of Chicago, the trend in victimization rates follows the same general direction as the records from the Chicago Police Department. The ratios of the average of the Approach 1 and Approach 2 victimization rates to the Chicago Police Department rates are approximately 6.5 for the low-crime poststratum, 4 for the medium-crime poststratum, and 1.5 for the high-crime poststratum. We conjecture that may be because the areas in the “high crime” poststratum include areas with heavy commuter influx such as the Chicago Loop, and some of the crimes recorded by the Chicago Police Department in those areas actually occurred to commuters who reside in one of the other areas. This conjecture is supported by examining the ratios of victimization rates in demographic and geographic domains for Approach 1 and Approach 2 to the

three-year NCVS victimization rates in the Chicago CBSA, given in the last two columns of Tables 8-1 and 8-2. In Table 8-2, the ratios of the CS to Chicago NCVS victimization rates are somewhat larger for the low-crime poststratum than for the other four geographic poststrata, but not to the same extent as the ratios with the Chicago Police Department rates.

The ratios of CS to Chicago NCVS victimization rates in the last two columns of Tables 8-1 and 8-2 are imprecise because of the wide confidence intervals of all the estimates. With that caveat, though, the ratios $(\text{Approach 2 rate}) / (\text{Chicago NCVS rate})$ appear to exhibit less variability across geographic domains than the ratios $(\text{Approach 1 rate}) / (\text{Chicago NCVS rate})$, although the difference in variances is not significant.

Note that Approach 1 appears to follow a different pattern for the low, medium, and high crime areas than Approach 2 and the estimates from the Chicago Police Department. The wide confidence intervals for the property victimization rates from both Approach 1 and Approach 2 indicate that the rankings for the three types of crime areas are not significantly different for Approach 1 and Approach 2. Note that the ratios of the Approach 1 and Approach 2 rates to those of the Chicago Police Department follow the same basic pattern: the ratio is highest for the “low crime” areas and lowest for the “high crime” areas. This divergence may occur because the CS records victimizations according to the victim’s residence while the Chicago Police Department records victimizations at the place where the victimization occurred. Thus, thefts that occur to a commuter from a “low crime” area while at work in a “high crime” area are recorded in the “high crime” area by the Chicago Police Department but in the “low crime” area in the CS.

Table 8-1. Estimated property victimization rates, per thousand households; 95 percent confidence intervals are given below the estimates. The last two columns give the ratios of the CS victimization rates to the NCVS victimization rates from the Chicago CBSA.

	CS Approach 1	CS Approach 2	National NCVS, 2011	NCVS, Chicago CBSA, 2009-2011	Ratio of CS Approach 1 to NCVS, Chicago CBSA	Ratio of CS Approach 2 to NCVS, Chicago CBSA
All property crime	273 [241, 304]	287 [252, 321]	138.7	119 [103, 136]	2.3	2.4
Burglary	49 [36,63]	56 [42,71]	29.4	28 [20, 36]	1.8	2.0
Motor vehicle theft	3 [0, 6]	9 [4, 14]	5.1	6 [3, 9]	0.5	1.5
Theft	207 [179, 235]	196 [171, 222]	104.2	86 [74, 97]	2.4	2.3
HU owned	265 [224, 305]	269 [225, 312]		105 [85, 125]	2.5	2.6
HU rented or other	288 [227, 350]	321 [246, 396]		148 [118, 178]	1.9	2.2
Local questionnaire		307 [247, 367]				
Generic questionnaire		266 [226, 306]				

Table 8-2. Estimated property victimization rates, per thousand households, for geographic poststrata; 95 percent confidence intervals are given below the estimates

	CS Approach 1	CS Approach 2	Chicago Police Dept.	NCVS, Chicago CBSA, 2009-2011	Ratio of CS Approach 1 to NCVS, Chicago CBSA	Ratio of CS Approach 2 to NCVS, Chicago CBSA
All property crime	273 [241, 304]	287 [252, 321]		119 [103, 136]	2.3	2.4
City of Chicago	391 [325, 457]	416 [343, 489]	109	156 [116, 195]	2.5	2.7
Chicago, low crime	387 [293, 480]	306 [208, 404]	66	93 [54, 133]	4.2	3.3
Chicago, medium crime	418 [297, 539]	466 [336, 596]	109	167 [92, 243]	2.5	2.8
Chicago, high crime	373 [261, 485]	516 [371, 661]	171	239 [150, 327]	1.6	2.2
Remainder of Cook County	252 [184, 320]	247 [169, 326]		106 [77, 135]	2.4	2.3
Remainder of CBSA	204 [156, 251]	221 [173, 270]		105 [84, 126]	1.9	2.1

8.1.3 Violent Victimization

Tables 8-3 to 8-5 give estimates for violent victimization rates from the CS and NCVS. The violent victimization rates were calculated using the final person weights described in Section 7.2, and the replicate weights were used to calculate the confidence intervals. As with property crime, the estimated victimization rates for violent crime are higher for both approaches of the CS than for the national 2011 NCVS or the 2009-2011 NCVS in the Chicago CBSA. The victimization rate for Approach 1 is higher than that for Approach 2, although the difference is not significant (p -value = .09). The rates for serious violent crime are significantly different for the two approaches, with p -value = .02.

Table 8-5 gives a potential explanation for the discrepancy in violent victimization rates for the two approaches. The estimated rates for men are approximately equal for Approach 1 and Approach 2, but the rate for women is 100 in Approach 1 and 28 in Approach 2. Part of that difference is due to women who report multiple victimizations in Approach 1 (Table 8-7 shows that 69 per thousand women report at least one violent victimization in Approach 1, compared with 26 per thousand women in Approach 2). It is unclear why women would report different violent victimization levels in Approach 1 and Approach 2, although this difference appears to be centered in households with more than one adult. With the information available, we are able only to speculate about the possible cause, if it is not merely a statistical anomaly.

As was observed for property crime, both Approach 1 and Approach 2 produce higher estimates of victimization than the NCVS. Approach 2, however, appears to track the NCVS rates more consistently across geographic and demographic domains.

The estimates from both approaches are very sensitive to series crimes and multiple victimizations. The core NCVS may be less sensitive to multiple victimizations than the CS because of the 6-month recall period: fewer respondents report more than one victimization in a 6-month recall period than in a 12-month period. In earlier years, series crimes were excluded from victimization rates, but in 2011, the number of incidents reported in a series crime (up to 10), was included in estimated victimization rates. For example, for the Approach 1 data, the area of Cook County outside of Chicago has an estimated victimization rate of 62 if series crimes are excluded but the victimization rate increases to 98 if series crimes are counted as up to 10 incidents; the estimated violent victimization rate for women is 83 without series crimes and 100 with series crimes. Tables 8-6 and 8-7 look at the percentages of persons in each domain who have had at least one violent victimization.

Table 8-3. Estimated Violent Victimization Rates, per thousand persons; 95 percent confidence intervals are given below the estimates

	CS Approach 1	CS Approach 2	National NCVS, 2011	NCVS, Chicago CBSA, 2009-2011
All violent crime	87 [57, 117]	54 [35, 73]	22.5	15 [11, 19]
Serious violent crime	51 [24, 82]	20 [9, 30]	7.2	5 [3, 7]

Table 8-4. Estimated violent victimization rates, per thousand persons, for geographic poststrata; 95 percent confidence intervals are given below the estimates

	CS Approach 1	CS Approach 2	Chicago Police Dept.	NCVS, Chicago CBSA, 2009-2011	Ratio of CS Approach 1 to NCVS, Chicago CBSA	Ratio of CS Approach 2 to NCVS, Chicago CBSA
Violent crime, all areas	87 [57, 117]	54 [35, 73]		15 [11, 19]	5.8	3.6
Serious violent crime, all areas	51 [24, 82]	20 [9, 30]		5 [3, 7]	10.6	4.2
City of Chicago	94 [58, 130]	76 [38, 113]	10.6	23 [13, 33]	4.1	3.3
Chicago, Low Crime	52 [7, 97]	47 [0, 94]	3.8	16 [6, 26]	3.2	2.9
Chicago, Medium Crime	137 [61, 212]	103 [26, 181]	7.7	23 [5, 40]	6.0	4.5
Chicago, High Crime	106 [30, 181]	86 [6, 165]	21.8	34 [7, 60]	3.1	2.6
Remainder of Cook County	98 [16, 107]	37 [9, 65]		11 [4, 17]	9.2	3.5
Remainder of CBSA	76 [34, 118]	50 [15, 85]		14 [8, 19]	5.5	3.6

Table 8-5. Estimated violent victimization rates, per thousand persons, for demographic domains; 95 percent confidence intervals are given below the estimates

	CS Approach 1	CS Approach 2	National NCVS, 2011	Ratio of CS Approach 1 to national NCVS, 2011	Ratio of CS Approach 2 to national NCVS, 2011
Violent crime, all	87 [57, 117]	54 [35, 73]	22.5	3.9	2.4
Men	71 [42, 101]	73 [45, 101]	25.4	2.8	2.9
Women	100 [49, 152]	28 [15, 40]	19.8	5.1	1.4
White nonHispanic	71 [43, 100]	56 [31, 82]	21.5	3.3	2.6
Black nonHispanic	242 [63, 420]	58 [10, 107]	26.4	9.2	2.2
Hispanic	40 [6, 73]	42 [0, 85]	23.8	1.7	1.8
Never married	163 [88, 237]	69 [32, 105]	35.5	4.6	1.9
Married	22 [9, 35]	27 [15, 40]	11.0	2.0	2.5
Age 18-24	158 [57, 259]	81 [10, 152]	49.0	3.2	1.7
Age 25-34	119 [25, 212]	67 [18, 115]	26.5	4.5	2.5
Age 35-49	108 [38, 178]	72 [19, 124]	21.9	4.9	3.3
Age 50-64	45 [25, 65]	33 [12, 55]	13.0	3.5	2.5
Age 65+	17 [3, 30]	18 [5, 30]	4.4	3.9	4.1

Table 8-6. Estimated rates of persons with at least one violent victimization, per thousand persons, for geographic poststrata; 95 percent confidence intervals are given below the estimates

	CS Approach 1	CS Approach 2
Violent crime, all areas	68 [48, 89]	45 [31, 60]
Serious violent crime, all areas	39 [22, 57]	19 [9, 29]
City of Chicago	85 [51, 119]	65 [32, 99]
Chicago, Low Crime	50 [6, 94]	24 [4, 44]
Chicago, Medium Crime	116 [56, 176]	102 [24, 179]
Chicago, High Crime	99 [26, 172]	83 [3, 162]
Remainder of Cook County	59 [14, 105]	35 [7, 61]
Remainder of CBSA	64 [33, 94]	38 [17, 59]

Table 8-7. Estimated number of persons with at least one violent victimization, per thousand persons, for demographic domains; 95 percent confidence intervals are given below the estimates

	CS Approach 1	CS Approach 2
Violent crime, all	68 [48, 89]	45 [31, 60]
Men	69 [39, 98]	66 [40, 93]
Women	69 [40, 98]	26 [14, 38]
White nonHispanic	62 [40, 84]	44 [28, 61]
Black nonHispanic	146 [42, 251]	58 [10, 107]
Hispanic	40 [6, 73]	37 [0, 78]
Never married	139 [78, 200]	67 [31, 104]
Married	20 [7, 33]	27 [15, 40]
Age 18-24	158 [57, 259]	81 [10, 152]
Age 25-34	91 [23, 158]	63 [16, 110]
Age 35-49	66 [40, 93]	43 [20, 65]
Age 50-64	42 [24, 61]	33 [11, 54]
Age 65+	15 [3, 27]	18 [5, 30]

8.2 Effectiveness of Mail Screener for Predicting NCVS Victimization

Approach 2 involved sending selected households a short mail questionnaire asking about the household's experiences with crime in the previous 12 months. Questions 9-12 on the mail questionnaire ask about property crime, and questions 13-16 ask about violent crime. Table 8-8 gives the contingency tables cross-classifying households that reported at least one crime on the Approach 2 mail screener by whether they had at least one in-scope NCVS crime in the telephone interview.

Table 8-8. Cross-classification of reported crimes for households on mail screener and NCVS telephone screener interview

Property Crime on Mail Screener	Property Crime on Telephone Interview		
	No	Yes	Total
No to all of questions 9-12	846	108	954
Item nonresponse on some of questions 9-12, no “yes” answers	8	0	8
Yes to at least one of questions 9-12	146	164	310
Total	1,000	272	1,272

Violent Crime on Mail Screener	Violent Crime on Telephone Interview		
	No	Yes	Total
No to all of questions 13-16	1,134	27	1,161
Item nonresponse on some of questions 13-16, no “yes” answers	11	1	12
Yes to at least one of questions 13-16	76	23	99
Total	1,221	51	1,272

Any Crime on Mail Screener	Any Crime on Telephone Interview		
	No	Yes	Total
No to all of questions 9-16	802	115	917
Item nonresponse on some of questions 9-16, no “yes” answers	11	1	12
Yes to at least one of questions 9-16	157	186	343
Total	970	302	1,272

The Approach 2 mail screener has relatively high sensitivity and specificity for detecting crimes that are subsequently reported in the NCVS-2 instrument, as shown in Table 8-9.

Table 8-9. Sensitivity and specificity of the Approach 2 Mail Screener for NCVS crimes

	Sensitivity	Specificity
Property Crime	0.60	0.85
Violent Crime	0.45	0.94
Any Crime	0.62	0.84

NOTE: In this table, the partial responses to the screener are counted as “No.”

The values in Table 8-9 for sensitivity and specificity are high for victimization surveys, especially when one considers that these questions were not developed for predicting victimization but for use in establishing subsampling rates in a two-phase approach. We fit logistic regression models to 2005 NCVS public-use data, predicting whether a household had at least one victimization from other variables on the file such as demographic variables, income, profession, and mobility. For those models, the sensitivity was only 0.28 for violent crime and 0.22 for property crime when the specificity was set at 0.89.

We further investigated the incidents that were misclassified by the Approach 2 mail screener. Table 8-10 gives potential reasons why households answering “yes” to at least one of the crime screener questions may have had no NCVS-2 victimization reports. In Table 8-11, only the first category, where no incidents reported for the household on the NCVS-2 were in scope for the survey, provides clear evidence of the misclassification; the adults and children who were not sampled for the telephone interview may have had victimizations but there is no way of knowing for purposes of this analysis whether they did or not.

Table 8-10. Possible reasons that households reporting crimes on the Approach 2 mail screener did not have NCVS-2 victimization reports

	All crime	Property crime	Violent crime
Incidents reported, but none in scope for NCVS	41	37	14
HH subsampled adults or at least one adult was nonrespondent	98	87	46
HH contains children who could have had victimizations	55	51	31
At least one of above	124	111	62
Total households with crime reported on mail screener but no in-scope victimizations on telephone interviews	157	146	76

We also looked at the misclassifications where the mail screener reported no victimizations but the subsequent telephone interview had at least one victimization report. One potential cause for such a misclassification would be that the person who filled out the mail screener might have been unaware of victimizations occurring to other household members. Unfortunately, we do not know which household member filled out the mail screener so we cannot evaluate this hypothesis directly; instead, the first row of Table 8-11 tallies the number of households with this type of misclassification which have multiple adults. We also do not know the exact date of the incident; the count in the second row of Table 8-11 is based on placing incidents at the 15th of the month.

Table 8-11. Households reporting victimization in the telephone interview but not in the mail screener

	All crime	Property crime	Violent crime
The household has multiple adults, so it is possible that the person returning the mail screener is unaware of other victimizations	84	76	22
All incidents reported occurred after date of mail screener	28	25	6
Incident reported on NCVS-2 was simple assault or threat	6		6
Incident reported on NCVS-2 was minor theft	8	8	
At least one of above	98	89	24
Total households with at least one victimization reported in the NCVS telephone interview but none reported in the Approach 2 mail screener	116	108	28

8.3 Nonresponse Bias Assessment

In Section 8.1 we saw that the victimization rates from the CS were higher than those of the national NCVS for every type of crime. In this section we explore possible causes of the difference. We restrict the investigation to nonresponse bias in the CS; it is possible that the core NCVS also has bias but we do not explore that here.

Tables 8-12 and 8-13 compare the demographic distribution of the sample to the distribution of the Chicago CBSA using the 2009-2011 American Community Survey (ACS). Two versions of weights are used with the sample. The base weights are the inverse of the selection probabilities, so the columns with the base weights give the demographic distribution of the respondents to the survey. The final weights are raked to geographic area, tenure, and age/race/sex composition as described in Chapter 7, so the columns with the final weights show how well the nonresponse weighting performs on characteristics known from the ACS. Using the base weights, it is seen that the sample from either approach has substantial underrepresentation of renters, of young adults, of men, and of minorities. These characteristics were used as poststratification and raking factors in constructing the final weights, so the estimates of these characteristics using the final weights correspond exactly to the American Community Survey estimates.

The base-weighted sample has an overrepresentation of high income households, married or widowed persons, and highly educated persons. The base-weighted sample also is less mobile than the CBSA population as a whole: Table 8-13 compares the percentages of adults in the ACS who did not live in the house or apartment one year ago with the percentages of respondents to the CS who lived in the dwelling unit less than one year. The final weights bring the estimates of marital status, household income, education, and mobility closer to the ACS values, but do not completely correct for the discrepancies. Note that the unweighted national core NCVS also has underrepresentation of these groups compared to national totals, but to a lesser degree than the CS.

The underrepresented groups in the CS and NCVS are those that tend to have the highest victimization rates. Even using the base weights, however, the CS exhibits higher victimization rates than the NCVS. The base-weighted property victimization rates for the CS are 261 per thousand households for Approach 1 and 275 per thousand households for Approach 2. The base-weighted violent victimization rates are 58 per thousand persons for Approach 1 and 41 per thousand persons for Approach 2. The property victimization rates calculated using the base weights are in fact very close to those calculated using the final nonresponse-adjusted weights (273 for Approach 1 and 287

for Approach 2), and still higher than the NCVS estimate for the Chicago CBSA of 119. The violent victimization rates are somewhat more sensitive to the nonresponse adjustments in the final weights: the violent victimization rates calculated using final weights are 87 for Approach 1 and 54 for Approach 2 (compared to the NCVS estimate of 15). This is consistent with the results in Section 8.1 showing that the estimated victimization rates from the CS were higher than the NCVS for every subgroup examined.

Table 8-12. Comparison of NCVS-CS Pilot household interview respondents with population

	Percent of occupied households from ACS	Approach 1		Approach 2		Approach 2	
		Telephone Screener		Mail Screener		Telephone Screener	
		Base weights	Final weights	Base weights	Final weights	Base weights	Final weights
Geographic Area							
City of Chicago							
Low	12.2%	11.7%	12.2%	12.1%	12.2%	12.0%	12.2%
Medium	8.5%	7.7%	8.5%	7.4%	8.5%	7.1%	8.5%
High	9.2%	6.8%	9.2%	7.0%	9.2%	8.2%	9.2%
Remainder Cook	26.7%	27.7%	26.7%	28.1%	26.7%	28.2%	26.7%
Remainder CBSA	43.4%	46.1%	43.4%	45.5%	43.4%	44.5%	43.4%
Total	100.0%	100.0%	100.0%	100.0%	100.0%	100.0%	100.0%
Tenure							
Owned	66.0%	75.8%	66.0%	77.3%	66.0%	77.5%	66.0%
Rented	34.0%	24.2%	34.0%	22.7%	34.0%	22.5%	34.0%
Total	100.0%	100.0%	100.0%	100.0%	100.0%	100.0%	100.0%
Household Income							
< \$25,000	20.7%	7.5%	9.9%			6.9%	9.0%
\$25,000 - \$49,999	21.9%	23.6%	26.1%			23.3%	26.1%
\$50,000-\$74,999	18.1%	22.0%	21.8%			23.0%	22.9%
\$75,000+	39.3%	46.9%	42.2%			46.8%	42.1%
Total	100.0%	100.0%	100.0%			100.0%	100.0%

Table 8-13. Comparison of NCVS-CS Pilot person interview respondents with population

	Percent of Age 18+ Population from ACS	Approach 1		Approach 2	
		Base Weights	Final Weights	Base Weights	Final Weights
Age					
18-24	12.6%	4.0%	12.6%	3.3%	12.6%
25-34	19.3%	11.9%	19.3%	12.3%	19.3%
35-44	18.6%	13.7%	18.6%	14.7%	18.6%
45-54	19.5%	18.8%	19.5%	19.5%	19.5%
55-64	14.8%	20.1%	14.8%	22.5%	14.8%
65+	15.2%	31.6%	15.2%	27.9%	15.2%
Total	100.0%	100.0%	100.0%	100.0%	100.0%
Gender					
Female	51.9%	55.4%	51.9%	54.7%	51.9%
Male	48.1%	44.6%	48.1%	45.3%	48.1%
Total	100.0%	100.0%	100.0%	100.0%	100.0%
Race/Ethnicity					
Black non-Hispanic	16.4%	10.7%	16.4%	11.0%	16.4%
Hispanic	17.8%	12.3%	17.8%	12.0%	17.8%
Remainder	65.8%	77.0%	65.8%	77.0%	65.8%
Total	100.0%	100.0%	100.0%	100.0%	100.0%
Marital Status (age 15+)					
Married	47.6%	57.1%	51.3%	56.7%	48.3%
Widowed	5.7%	10.4%	6.3%	10.9%	6.8%
Divorced/Separated	11.0%	11.7%	10.6%	11.9%	11.4%
Never Married	35.7%	20.8%	31.8%	20.5%	33.6%
Total	100.0%	100.0%	100.0%	100.0%	100.0%
Educational Attainment					
<High School	13.6%	7.9%	8.0%	9.2%	10.7%
High School Grad	25.2%	20.1%	22.1%	20.1%	19.5%
Some College	27.1%	24.3%	24.8%	23.4%	23.3%
Bachelors or more	34.0%	47.7%	45.2%	47.3%	46.5%
Total	100.0%	100.0%	100.0%	100.0%	100.0%
Time at address					
1 Year or More	87.5%	97.3%	95.8%	97.0%	94.8%
Less than 1 Year	12.5%	2.7%	4.2%	3.0%	5.2%
Total	100.0%	100.0%	100.0%	100.0%	100.0%

We have no way of knowing the victimization experiences of the nonrespondents. To investigate a hypothesized avidity bias, in which crime victims are more interested in the topic and therefore more likely to agree to participate in the survey, we looked at the relationship between refusal conversion and reporting at least one victimization. Table 8-14 gives the contingency tables for Approaches 1 and 2. Overall, about 21 percent of the households that had ever refused reported at least one victimization, and about 26 percent of the households with no refusals reported at least one victimization. The difference is not significant, however, for either approach (p -value = .06 for Approach 1, 0.10 for Approach 2).

Table 8-14. Contingency tables of reporting at least one crime on NCVS-CS Pilot telephone questionnaire by refusal conversion status

	Report at least one crime?	Ever Refused?		
		No	Yes	Total
Approach 1	No	667	283	950
	Yes	236	75	311
	Total	903	358	1,261
Approach 2	No	693	336	1,029
	Yes	232	89	321
	Total	925	425	1,350

Table 8-15 gives the analogous tables for violent crime, where the person is considered to be in the “ever refused” category if either the person refused at least once or the household respondent refused at least once. There is a similar relationship between refusal status and reporting violent crime, with those persons in the refusal group having somewhat lower violent victimization rates. Combining both approaches, overall about 3 percent of persons in the refusal group report at least one violent victimization, compared with 4.9 percent of persons in the nonrefusal group.

Table 8-15. Contingency tables of reporting at least one violent crime by refusal conversion status

	Report at least one violent crime?	Ever Refused?		
		No	Yes	Total
Approach 1	No	753	599	1,352
	Yes	44	20	64
	Total	797	619	1,416
Approach 2	No	754	674	1,428
	Yes	34	20	54
	Total	788	694	1,482

NOTE: The person is considered to have refused if there was at least one refusal from either that individual or from the household respondent for the control card interview

There is no evidence of avidity bias in proceeding from the Approach 2 mail screener to responding to the telephone questionnaire. 25.2 percent of the 1,360 households that reported a crime on the mail screener responded to the telephone interview, and 23.2 percent of the 3,997 households that did not report a crime on the mail screener responded to the telephone interview (p -value = .13). It appears that if there is a tendency for crime victims to have a higher propensity to respond in Approach 2, that propensity manifests primarily in the response to the mail screener and not in the subsequent (conditional) response to the telephone screener.

A higher rate of victimizations reported to police in the CS would also be evidence of avidity bias. Table 8-16 gives the estimated percentage of victimizations reported to police, for each approach and for property and violent crimes. The percentages are very close to the estimates from the National NCVS, except for violent crimes in Approach 1.

Table 8-16. Estimated percentages of victimizations reported to police, by type of crime

	CS Approach 1	CS Approach 2	National NCVS, 2011	NCVS, Chicago CBSA, 2009-2011
Property crime	34 [29, 40]	35 [29, 41]	37	34 [29, 40]
Violent crime	63 [48, 78]	47 [29, 65]	49	42 [31, 54]

8.4 Analysis of Interviewer Effects

Of the 40 data collectors who started the NCVS CS Pilot training by completing the self-paced training session via the Westat learning management system (LMS), 29 completed the full training regimen which also included a “live” training conducted over WebEx, and a role play session in which interviewers were paired in dyads to complete scripted practice interviews and non-interview contact scenarios. Of the 29 who completed the full training regimen, 26 data collectors worked more than 20 hours doing production interviewing over the course of the 14-week telephone data collection period. These 26 interviewers had the primary impact on the ultimate Pilot dataset. Of these, the majority were female (73%), worked remotely (81%), and had prior experience collecting data for Westat studies (69%). About half of these interviewers (46%) were trained in refusal conversion and 11.5 percent were trained to conduct interviews in Spanish.

There has been concern in the core NCVS about interviewer effects on number of victimization reports, especially with the variability in timings for the NCVS-1 instrument. We examined variability in occurrence and number of victimization reports by interviewer to explore whether such interviewer effects are detectable in the CS. Some variability would be expected because certain interviewers were assigned predominantly to refusal conversions and others were assigned to the bilingual cases.

We fit a mixed logistic regression model, with a binary response of whether the household reported at least one crime, to investigate variability among interviewers in obtaining at least one victimization report after controlling for whether the interviewer was bilingual or assigned to refusal conversion, the geographic poststratum, approach (1 or 2), whether the household had a matching phone number, and number of adults in the household. Of those covariates, only the geographic area, presence of matching phone number, and number of adults in the household were significant. The intraclass correlation coefficient is calculated for an assumed latent variable for propensity to respond, using $\pi^2/3$ as the value of the residual variance (Goldstein et al., 2002). With this formulation, the intraclass correlation coefficient for whether the household reported at least one crime was less than 0.01, so that less than 1 percent of the variability in reporting victimizations is attributable to interviewers.

8.5 Recall Effects

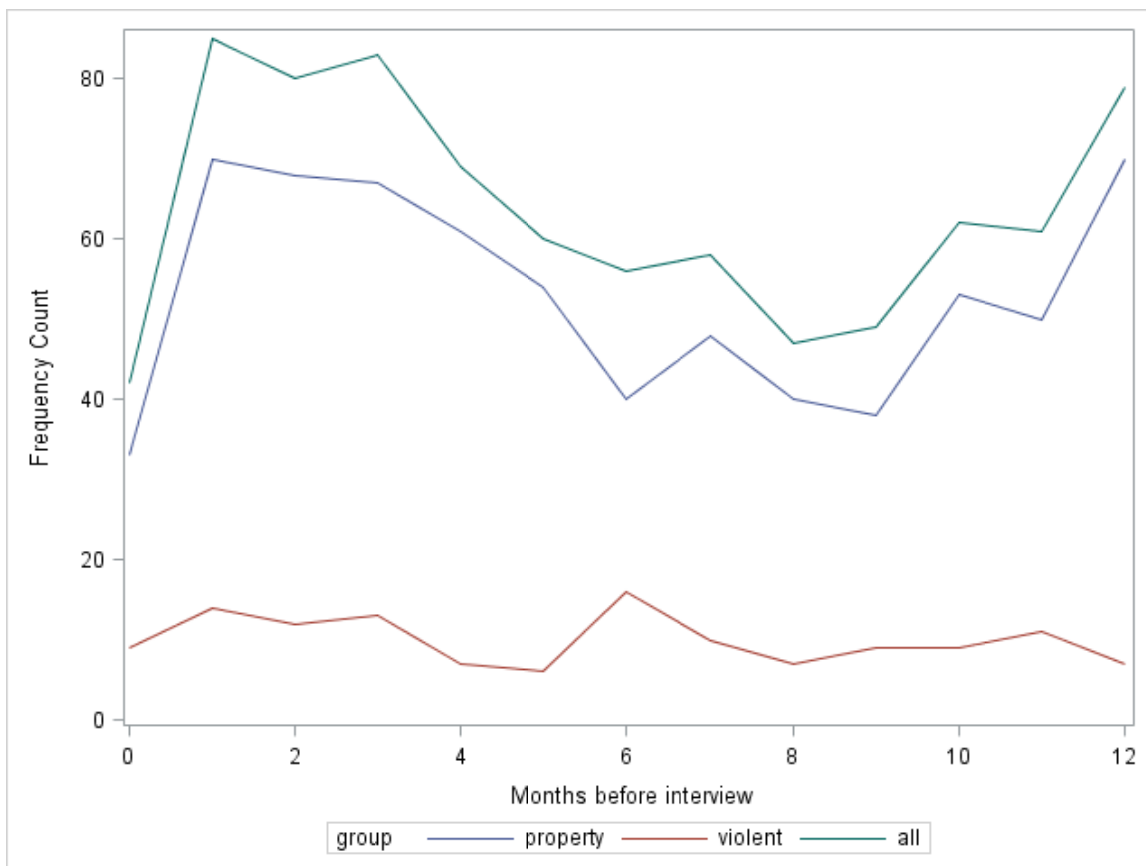
One concern a priori was that there might be telescoping or recall effects resulting from use of a 12-month recall period rather than the 6-month recall period used in the NCVS. To investigate this, we used the telephone interview date and the date of the incident to approximate the time lag between each incident and the telephone interview. Since the instrument only asks for the month and year of the incident, we assigned all incidents to the 15th of the month in which they occurred. The uncertainty in incident date means that the counts for 0 months before interview and 12 months before interview are unreliable, but months 1 through 11 are approximately correct relative to each other. Figure 8-1 indicates that at least for property crimes, there appears to be a recency effect where more victimizations are reported as occurring in the six months prior to the interview than in the 6-month period before that.

This effect may also, however, be due to seasonal cycles in crime. The pilot study interviews were conducted in July through October. Thus, the more recent months for survey respondents were for

summer and the period of 6-12 months prior to interview corresponds to August through April. Because the CS was conducted over a short time period, the recall effects in this study are confounded with seasonality of crime (Carbone-Lopez and Lauritsen, 2012), where more victimizations occur in summer and fewer occur in winter. McDowall et al. (2012) found that seasonal effects for crime were strongest in cold climate cities.

The spike at 12 months may be evidence of telescoping, where respondents list an event as occurring just inside the reference period. We know that telescoping occurred in the CS because many respondents reported incidents outside of the 12-month period used for recall.

Figure 8-1. Numbers of incidents reported by months prior to interview



NOTE: The top line is for all crime types, the middle line is property crimes, and the bottom line is violent crimes.

8.6 Summary and Recommendations

The Companion Survey produced higher victimization rates than the national 2011 NCVS and the 2009-2011 NCVS restricted to the Chicago CBSA, for both Approach 1 and Approach 2. For

property crime, the victimization rate for both Approach 1 and Approach 2 was approximately 2.3 times the rate from the NCVS in the Chicago CBSA. Violent crime patterns are more difficult to discern because of the small sample sizes, but the approaches may be giving different violent crime victimization rates. In particular, Approach 1 has higher violent victimization rates for women than for men, while Approach 2 has higher violent victimization rates for men than for women. Part of the reason for the discrepancy in violent victimization rates between Approaches 1 and 2 is the sensitivity of the estimates to series crimes and multiple victimizations.

The higher victimization rates for the CS occur even though both approaches in the CS have lower response rates for population groups that typically experience more victimizations: renters, minorities, young persons, never married persons, persons with lower income or education, and persons who have moved recently. This suggests that persons more interested in crime---namely, crime victims---may be more likely to respond to the survey.

Despite the differences between the CS and NCVS victimization rates, a low-cost approach could be useful for estimating changes in victimization if the biases are relatively constant across domains. The limited evidence from this pilot study indicates that Approach 2 may track the NCVS more consistently than Approach 1, although more research is needed.

The mail screener used in Approach 2 has relatively high specificity and sensitivity for predicting whether a victimization is subsequently reported on the telephone interview. The screener was developed for the original purpose of stratifying the initial sample in a two-phase procedure, and was not intended or tested for the purpose of predicting victimizations. We would expect that a mail instrument specifically developed for estimating victimization rates would perform better than the screener used in Approach 2, and that a mail approach shows promise for providing supplemental information on victimization rates and estimating changes in victimization in metropolitan areas.

References

- Carbone-Lopez, K. and Lauritsen, J. (2012). Seasonal variation in violent victimization: Opportunity and the annual rhythm of the school calendar. *Journal of Quantitative Criminology*, published online.
- Duhart, D., Bates, N., Williams, B., Diffendal, G., and Chiu, P.L. (2001). Are late/difficult cases in demographic survey interviews worth the effort? A review of federal surveys. Federal Committee on Statistical Methodology paper, www.fcsm.gov/01papers/Duhart.pdf

- Goldstein, H., Browne, W., and Rasbash, J. (2002). Partitioning variation in multilevel models. *Understanding Statistics*, 1(4), 223-231.
- Hope, S. (2005). *Scottish Crime and Victimization Survey Calibration Exercise: A Comparison of Survey Methodologies*. Scottish Executive, Edinburgh, www.scotland.gov.uk/Resource/Doc/47121/0020932.pdf.
- McDowall, D., Loftin, C., and Pate, M. (2012). Seasonal cycles in crime, and their variability. *Journal of Quantitative Criminology*, 28, 389-410.
- Rand, M.R. (2008). Criminal victimization, 2007. Tech. Rep. NCJ 231327, Bureau of Justice Statistics, Washington, DC.
- Rand, M.R. (2009). Redesigning the National Crime Victimization Survey. Federal Committee on Statistical Methodology paper, www.fcsm.gov/09papers/Rand X-B.doc.
- Truman, J.L. and Planty, M. (2012). Criminal Victimization, 2011. NCJ 239437. Washington, DC: Bureau of Justice Statistics, <http://bjs.ojp.usdoj.gov/content/pub/pdf/cv11.pdf>.

Chapter Highlights and Key Findings

- NCVS instruments and coding are sensitive and difficult to replicate.
- Difficult to replicate the NCVS estimates using low cost methodology.
- We conclude that a Companion Survey approach to support blended estimates is not viable.
- The mail survey response rate for Approach 2 was reasonable (45 percent) and could likely be improved to 55 or 60 percent given additional procedures (such as incentives and additional mailings).
- We see potential to create a new survey system that can be to monitor changes in victimization rates in local areas or jurisdictions. The goal would be to produce change estimates that parallel the change estimates from the NCVS.

This section begins by summarizing some of the highlights of what was learned in the pilot study and draws conclusions about the feasibility of an NCVS Companion Survey of this type to be conducted in metropolitan areas. We expand the discussion to what we believe are objectives that could and could not be achieved by a lower-cost alternative approaches to collecting victimization data in local areas. The last section gives a broad picture of an approach to move us forward in the evaluation process for a low-cost alternative that has the potential to meet goals set for a companion study. It also describes key steps in this process

9.1 Lessons from the Pilot Study

Several clear messages emerged from the CS Pilot. As we discuss in more detail below, the most important conclusion we have drawn is that it would be extremely difficult, if not impossible, to replicate NCVS estimates of victimization rates using a low-cost data collection process. The NCVS is a large and complex survey with many potential sources of bias that are described in Section 8. Developing a low-cost alternative data collection approach that keeps all of these under sufficient control does not seem feasible. This is especially difficult because of the fragility of the core NCVS with respect to these sources of potential error. The NCVS estimates of victimization rates are very sensitive to many of these factors, meaning the estimates may change substantially when even small

deviations occur in the survey process. Truman and Planty (2012) describe how the victimization estimates in the core NCVS changed when the sample size increased and new interviewers were needed; Rand (2008) reviews some effects when the sampled geographic areas changed and the data collection software was revised. We believe that a low-cost alternative data collection approach would have a greater chance of succeeding if the core survey was robust and insensitive to a variety of factors. This is clearly not the case for the NCVS.

A key finding from the Pilot is that the estimates of victimization rates produced from the CS differ substantially from those of the core NCVS, for both data collection approaches we tested. There was also evidence that the two approaches, despite having similar response rates, did not generate equivalent victimization rates for at least some types of crime. One of the objectives of the CS Pilot was to assess the ability to blend data from the core NCVS survey with data from a low-cost alternative survey. In this case, blending refers to using data from both the core and low-cost alternative surveys to produce more precise estimates for a local area, without greatly increasing the bias in the estimates.

As we learned more about the NCVS interview process, especially the reliance on interviewers to elicit and synthesize information from respondents, we have come to the conclusion that blending the core NCVS estimates with those from a low-cost companion survey is not feasible, at least as we conceive of it. Blending essentially requires that the companion survey be conducted by interviewers using the same procedures used in the core survey, because the interviewers are so essential to the culling and processing of the data on victimizations. Our experiences in interviewing, and the related process of coding the data to determine whether an incident was an eligible victimization and what type of victimization are reviewed in Chapters 5 and 6. We will not recount the issues again here, but they were substantial. Although some of the problems we faced could be reduced by intensive training and having an interviewer staff that does this survey consistently over time, these requirements are not consistent with having a low-cost alternative that can be implemented as needed in various local areas for a short period of time.

In the CS Pilot we explored two different approaches to conducting the interviews by telephone beginning with an address-based sample (ABS) of addresses. Approach 1 used a vendor match to obtain a telephone number for the address and called those with matching telephone numbers after sending an introductory letter; those without a vendor matching number were mailed and asked to give a telephone number so the interview could be conducted. Approach 2 began with a mail survey to all addresses and used the telephone number requested in that survey to do the telephone call; a subsample of nonrespondents to the mail survey were also called if they had a vendor match

number. Neither approach performed well, with NCVS-1 response rates at the household level of about 12 percent for each approach. There is some, but limited, evidence that suggests that Approach 2 may track the NCVS more consistently than Approach 1.

The natural alternative is to use a random digit dial (RDD) telephone survey rather than starting with ABS. The response rates to a dual frame (landline and cell phone) RDD survey would probably be roughly equivalent to that obtained in the CS Pilot. Direct RDD response rate comparisons are difficult but highly urban areas like Chicago tend to have lower response rates than more dispersed samples. The CS also requires, at least in our efforts to keep it comparable to the core, full enumeration of the household members and conducting multiple interviews with adults within the household (even if only one adult were randomly sampled it would still require an interview with a household respondent to do the sampling and then interviewing the randomly sampled adult). These conditions, especially when combined with a difficult interview like the NCVS-1 and NCVS-2, are highly associated with low response rates in RDD. An RDD survey would be simpler to implement because it does not require linking mail and telephone operations, but the cost of a dual frame RDD survey would be considerably higher than the ABS sample if the geographic eligibility rate for sampled numbers, particularly cell numbers, is low. The ABS can select samples from specific geographic areas so virtually all sample addresses are eligible; RDD has much greater problems in this regard and this is especially true for the cell phone sample. Since the RDD sample would have the same quality issues associated with it that we encountered in the CS Pilot, we believe RDD would typically be a higher-cost alternative with virtually no advantages as compared with an ABS design.

Our analysis of the CS Pilot found that the mail survey in Approach 2 performed reasonably well, with response rates of around 45 percent with no cash incentive and only two first-class mailings of the survey. Based on experiments in other mail surveys, we are convinced that the mail response rate could be increased by at least 10 to 15 percentage points by use of small token incentives (\$1 or \$2) in the initial mailing and adding a third mailing using a special mail format such as FedEx. We also believe that additional questionnaire and cognitive testing of the instrument could result in improvements in the percentage of respondents who provide a telephone number in the mail. The proportion of completed screeners with telephone numbers in the CS Pilot was about 75 percent; it is not unreasonable to believe this could be increased by 5 or more percentage points.

The more difficult component of the survey to affect is the telephone survey, especially if the content of the survey remains as is to support blending. Interviewing by telephone in the current environment is very difficult without having a previously established relationship with the household

and its members. The core NCVS and other panel surveys use telephone interviewing successfully for subsequent waves after a relationship has been established in the initial face-to-face interview. A low-cost alternative survey does not have this option because the cost of the initial face-to-face interview is high.

The CS Pilot used standard approaches to increase the telephone response rate such as repeated calls to the household and refusal conversion. Other methods to increase response rates, such as mailing an incentive prior to the call, could raise response rates but not dramatically. For example, we suspect that sending a \$10 incentive to each address prior to calling might increase response rates by 5 to 7 percentage points.

The combined effect of improvements in the mail response rate using Approach 2 and increasing telephone response rates using a significant cash incentive prior to calling are not likely to be additive. Previous research suggests that additional efforts to increase the mail response rate in the first phase may be successful, but those respondents may be less likely to participate in the second phase (in this case, the telephone interview) survey. We speculate that, given the current interview content and delivery, it may be possible to increase the NCVS-1 response rate from the 12 percent obtained in the Pilot. However, it is very unlikely that the response rates would reach as high as 25 or 30 percent. Furthermore, the design would be considerably more expensive to implement than the Pilot design. These factors lead us to believe that a low-cost alternative that can produce data that can be blended with the core NCVS data and is capable of being used in various locales and by different organizations is not a realistic objective.

9.2 Objectives for Further Evaluation

We have had several discussions with BJS staff about the potential uses of a CS that do not involve blending the data from the CS with the core NCVS data. An important potential use for a CS that was mentioned several times in these discussions was to provide a mechanism to monitor changes in victimization rates in local areas or jurisdictions. One particular application would be for evaluation of various programs in local areas. The goal would be to measure victimization rates before and after a particular program is implemented to assess the effect of the program on victimization rates.

This objective has very different requirements than does blending. The estimates needed are primarily change estimates rather than level estimates and the estimates do not have to align

completely with the core NCVS estimates. Some of the attributes that we believe would be needed to meet this objective are:

- Estimates from such a CS should correlate well with the core NCVS;
- The survey system should be robust, so that implementations by different organizations or in different areas do not greatly affect the comparability of the estimates;
- The system should be portable so that it can be implemented quickly and not tied to a specific location;
- The system should not require a standing interviewer or coding staff;
- The system should be able to be implemented by existing data collection agencies without very specialized training and background; and
- The system should use low-cost methods.

A related objective is to compare victimization rates for two or more different geographic areas. Here again, the estimates from the CS should correlate well with the core NCVS, but the main focus would be on differences rather than absolute levels in victimization rates. Most of the attributes listed above would also apply to a system designed to meet this objective.

Since the CS would not be used for blending, it may be possible to meet these objectives without requiring an interviewer-administered telephone interview that is fully equivalent to the NCVS interview. This opens up various alternatives for data collection, especially using mail surveys that can achieve relatively high response rates and have the other attributes listed above.

While self-administered mail surveys have distinct advantages, there are also limitations. For example, it is very unlikely that this mode of data collection can support the detailed classification of crimes used in the NCVS. A more reasonable objective is a higher level classification such as property and personal crime, perhaps with some specific but limited information within this broad classification. Mail surveys are also likely to be completed by a single household respondent rather than each adult in the household and this may affect the estimates. The hope is that stable and consistent estimates that are highly correlated to the NCVS estimates are possible even though the absolute rates from the CS may not be comparable to those from the core NCVS.

The high association between reporting at least one crime on the Approach 2 mail screener and reporting at least one crime on the subsequent telephone interview indicates that a mail approach may be a viable alternative for low-cost data collection to measure changes in victimization rates.

Such an approach would require a self-administered mail survey to be specifically designed and tested for eliciting accurate self-reports of numbers and types of victimization experiences.

We also suggest that even if a self-administered mail survey is proposed, telephone data collection may still be needed in some form. An interviewer-administered study of some sort, perhaps a qualitative study, might be used to assess reports provided by mail respondents. For example, it might be used to better understand what households are reporting and how they are reporting different types of victimizations. This type of study might shed some light on a variety of potential sources of error.

9.3 Suggested Approach

We believe the approaches to be developed and investigated require close collaboration between Westat and BJS to ensure that the research objectives and procedures are consistent with those that would provide value to the agency and its needs. To accomplish this we suggest that we set up a series of interim products to discuss with BJS before proceeding too far. The products would culminate in the fielding and analysis of the second phase data collection of the CS.

The products are:

- Clear definition of objectives of the CS, within the framework given above.
- Specification of output estimates from the CS.
- Develop instrumentation to capture the data to produce the specified estimates.
- Prepare a design for the study that specifies the following:
 - Mode of data collection.
 - Data collection protocol.
 - Number of areas and number of times each area is surveyed.
 - Instruments.
 - Analysis plan.
 - Evaluation procedures.

- Prepare OMB package and final schedule.
- Conduct data collection and analysis.

Appendix A
Mail Screeners

OMB Number: 1121-0325



The Survey of Chicagoland Neighborhoods

Department of Justice
OFFICE OF JUSTICE PROGRAMS

BJS Bureau of Justice Statistics

Title 42, Section 3732, United States Code, authorizes the Bureau of Justice Statistics, Department of Justice, to collect information using this survey and requires us to keep all information about you and your household strictly confidential. Under the Paperwork Reduction Act of 1995, no persons are required to respond to a collection of information unless such collection displays a valid OMB number. The valid OMB control number for this information collection is 1121-0325. Comments regarding any other aspect of this data collection may be sent to, to DOJ Clearance Officer, Bureau of Justice Statistics, 810 Seventh Street, NW Washington, DC 20531 or by calling toll-free 1-888-380-0050

B

Commonly Asked Questions

What is the U.S. Bureau of Justice Statistics Survey of Chicagoland Neighborhoods?

The U.S. Bureau of Justice (BJS) Survey of Chicagoland Neighborhoods is a survey of households to obtain information about communities.

Who is the sponsor of this study?

The survey is sponsored by the Bureau of Justice Statistics (BJS), U.S. Department of Justice (DOJ). The survey is conducted under the authority of Title 42, United States Code, Section 3732. To learn more about BJS, you can visit them on the web at www.bjs.gov/ncvspilot.cfm.

How long will it take to complete this survey?

We anticipate that most households will be able to complete the mailed survey in about 5-6 minutes. Some households may be contacted later for a more detailed survey.

Am I required to complete this survey?

Participation is voluntary and there are no penalties for refusing to answer. However, your household was randomly selected for this scientific sample survey, and you cannot be replaced with another household. Your cooperation is extremely important to help ensure the completeness and accuracy of this much-needed information.

Who will use this information?

Results from this survey (and similar surveys conducted by The U.S. Department of Justice) will be used to better understand the needs of neighborhood residents.

Who can I call with questions?

If you would like further information, you can contact Westat at 1-888-380-0050.

How was my household chosen for this study?

Households were selected at random from all residential addresses. By selecting households randomly, we will be able to create scientific estimates about households in your neighborhood. It's important to participate, so that we have an accurate picture of all communities.

How do I know you'll keep my information confidential?

The information you provide will be used for statistical purposes only and may not be disclosed, or used, in identifiable form for any other purpose as required by law (Title 42, U.S. Code, Sections 3789g). Your responses will be combined with those of others to produce statistical summaries about crime and safety. After the study is completed, identifying information - your address and phone number - are destroyed.



U.S. Department of Justice Survey of Neighborhood Safety

INSTRUCTIONS

- ➔ Please use a black or blue pen to complete this form.
- ➔ Mark to indicate your answer.
- ➔ If you want to change your answer, darken the box and mark the correct answer.

START HERE

The following questions ask about your neighborhood. By neighborhood, we mean the general area around your house or the building you live in, where you might do things such as shopping, going to the park, or visiting with neighbors.

1. On the whole, is this neighborhood a good place to live?

- Yes
 No

2. How much of a problem is litter, broken glass or trash on the sidewalks and streets?

- Never a problem
 Almost never a problem
 Sometimes a problem
 Almost always a problem
 Always a problem

3. How much of a problem is crime in your neighborhood?

- Never a problem
 Almost never a problem
 Sometimes a problem
 Almost always a problem
 Always a problem

Please indicate whether you strongly agree, agree, neither agree nor disagree, disagree, or strongly disagree with each of the following statements.

4. People around here are willing to help their neighbors.

- Strongly Agree
 Agree
 Neither Agree nor Disagree
 Disagree
 Strongly Disagree
 Don't know

5. This is a close-knit neighborhood.

- Strongly Agree
 Agree
 Neither Agree nor Disagree
 Disagree
 Strongly Disagree
 Don't know

6. People in this neighborhood can be trusted.

- Strongly Agree
 Agree
 Neither Agree nor Disagree
 Disagree
 Strongly Disagree
 Don't know



7. People in this neighborhood generally get along with each other.

- Strongly Agree
- Agree
- Neither Agree nor Disagree
- Disagree
- Strongly Disagree
- Don't know

8. People in this neighborhood share the same values.

- Strongly Agree
- Agree
- Neither Agree nor Disagree
- Disagree
- Strongly Disagree
- Don't know

9. The police are doing a good job in dealing with problems that really concern people in this neighborhood.

- Strongly Agree
- Agree
- Neither Agree nor Disagree
- Disagree
- Strongly Disagree
- Don't know

10. When people in your neighborhood call 911, does help arrive quickly?

- Yes
- No
- Don't know

11. How long have you lived at this address?

- 1 year or less
- less than 5 years, but more than 1 year
- 5 or more years

Telephone Number

12. What is the best phone number to use to contact you? (This phone number will only be used for the purpose of this research study.)

				-											
--	--	--	--	---	--	--	--	--	--	--	--	--	--	--	--

Mail to:

Thank you for completing this survey. Please return your form in the postage paid envelope provided or mail to:

Westat
1600 Research Blvd., Room RC B16
Rockville, MD 20850-3129



OMB Number: 1121-0325



The Survey of Chicagoland Neighborhoods

Department of Justice
OFFICE OF JUSTICE PROGRAMS

BJS Bureau of Justice Statistics

Title 42, Section 3732, United States Code, authorizes the Bureau of Justice Statistics, Department of Justice, to collect information using this survey and requires us to keep all information about you and your household strictly confidential. Under the Paperwork Reduction Act of 1995, no persons are required to respond to a collection of information unless such collection displays a valid OMB number. The valid OMB control number for this information collection is 1121-0325. Comments regarding any other aspect of this data collection may be sent to, to DOJ Clearance Officer, Bureau of Justice Statistics, 810 Seventh Street, NW Washington, DC 20531 or by calling toll-free 1-888-380-0050

CL

Commonly Asked Questions

What is the U.S. Bureau of Justice Statistics Survey of Chicagoland Neighborhoods?

The U.S. Bureau of Justice (BJS) Survey of Chicagoland Neighborhoods is a survey of households to obtain information about communities.

Who is the sponsor of this study?

The survey is sponsored by the Bureau of Justice Statistics (BJS), U.S. Department of Justice (DOJ). The survey is conducted under the authority of Title 42, United States Code, Section 3732. To learn more about BJS, you can visit them on the web at www.bjs.gov/ncvspilot.cfm.

How long will it take to complete this survey?

We anticipate that most households will be able to complete the mailed survey in about 5-6 minutes. Some households may be contacted later for a more detailed survey.

Am I required to complete this survey?

Participation is voluntary and there are no penalties for refusing to answer. However, your household was randomly selected for this scientific sample survey, and you cannot be replaced with another household. Your cooperation is extremely important to help ensure the completeness and accuracy of this much-needed information.

Who will use this information?

Results from this survey (and similar surveys conducted by The U.S. Department of Justice) will be used to better understand the needs of neighborhood residents.

Who can I call with questions?

If you would like further information, you can contact Westat at 1-888-380-0050.

How was my household chosen for this study?

Households were selected at random from all residential addresses. By selecting households randomly, we will be able to create scientific estimates about households in your neighborhood. It's important to participate, so that we have an accurate picture of all communities.

How do I know you'll keep my information confidential?

The information you provide will be used for statistical purposes only and may not be disclosed, or used, in identifiable form for any other purpose as required by law (Title 42, U.S. Code, Sections 3789g). Your responses will be combined with those of others to produce statistical summaries about crime and safety. After the study is completed, identifying information - your address and phone number - are destroyed.



The Survey of Chicagoland Neighborhoods

INSTRUCTIONS

- ➔ Please use a black or blue pen to complete this form.
- ➔ Mark to indicate your answer.
- ➔ If you want to change your answer, darken the box and mark the correct answer.

START HERE

Your Neighborhood

The following questions ask about your neighborhood. By neighborhood, we mean the general area around your house or the building you live in, where you might do things such as shopping, going to the park, or visiting with neighbors.

1. On the whole, is this neighborhood a good place to live?

- Yes
 No

2. How much of a problem is litter, broken glass or trash on the sidewalks and streets?

- Never a problem
 Almost never a problem
 Sometimes a problem
 Almost always a problem
 Always a problem

3. How much of a problem is crime in your neighborhood?

- Never a problem
 Almost never a problem
 Sometimes a problem
 Almost always a problem
 Always a problem

For each of the following statements, please indicate whether you strongly agree, agree, neither agree nor disagree, disagree, or strongly disagree.

4. People around here are willing to help their neighbors.

- Strongly Agree
 Agree
 Neither Agree nor Disagree
 Disagree
 Strongly Disagree
 Don't know

5. This is a close-knit neighborhood.

- Strongly Agree
 Agree
 Neither Agree nor Disagree
 Disagree
 Strongly Disagree
 Don't know

6. People in this neighborhood can be trusted.

- Strongly Agree
 Agree
 Neither Agree nor Disagree
 Disagree
 Strongly Disagree
 Don't know

53285



7. People in this neighborhood generally get along with each other.

- Strongly Agree
- Agree
- Neither Agree nor Disagree
- Disagree
- Strongly Disagree
- Don't know

8. People in this neighborhood share the same values.

- Strongly Agree
- Agree
- Neither Agree nor Disagree
- Disagree
- Strongly Disagree
- Don't know

Experiences of People in Your Household

The next questions ask about whether you or anyone in your household has experienced a crime in the past 12 months. Please include all crimes, no matter where it happened and even if it was not reported to the police.

9. In the last 12 months, has something belonging to anyone in this household been stolen, such as a TV, sports equipment, tools, lawn furniture, bicycle, wallet, purse, jewelry, or cell phone?

- Yes
- No

10. In the last 12 months, did anyone break into or attempt to break into your residence, or a garage, shed, or storage room that you own or rent?

- Yes
- No

11. In the last 12 months, were any cars, vans, trucks or other motor vehicles owned by anyone in this household stolen or used without permission?

- Yes
- No

12. In the last 12 months, did anyone steal or attempt to steal any parts from a vehicle owned by anyone in this household, like a tire, car stereo, hubcap or battery, or anything that was left in a vehicle?

- Yes
- No

The following questions ask about incidents in which someone in your household has been confronted, attacked, or threatened. Such incidents might be between people that don't know each other, but often involve people who do know each other. Please include all incidents, whether or not the people involved knew each other.

13. In the last 12 months, did anyone take or try to take something by force or threat of force from anyone in the household?

- Yes
- No



14. In the last 12 months, has anyone in this household been attacked with some type of weapon, such as a gun, knife, baseball bat, or rock?

- Yes
 No

15. In the last 12 months, has anyone in this household been attacked in another way, such as someone grabbing, forcing unwanted sexual activity, punching, or choking?

- Yes
 No

16. In the last 12 months, has anyone in this household been threatened with any kind of attack?

- Yes
 No

Police and 911 Services

Please indicate whether you strongly agree, agree, neither agree nor disagree, disagree, or strongly disagree with the following statement.

17. The police are doing a good job in dealing with problems that really concern people in this neighborhood.

- Strongly Agree
 Agree
 Neither Agree nor Disagree
 Disagree
 Strongly Disagree
 Don't know

18. When people in your neighborhood call 911, does help arrive quickly?

- Yes
 No
 Don't know

Your Household

19. Please think about everyone who currently lives in your household. In the table below, please indicate how many females and how many males are in each age range provided.

Age Range	Number of Females	Number of Males
Under 18 years old	<input type="text"/>	<input type="text"/>
18 through 24 years old	<input type="text"/>	<input type="text"/>
25 through 34 years old	<input type="text"/>	<input type="text"/>
35 through 54 years old	<input type="text"/>	<input type="text"/>
55 years old and older	<input type="text"/>	<input type="text"/>

20. In your household, is any **adult** not working who would like to find a job? (Do not include students or retired persons.)

- Yes
 No

21. Does anyone in your household work in the following fields?

- Medical or Health Field? Yes No
Mental Health Services Field? Yes No
Law Enforcement or Security Field? Yes No
Retail Sales? Yes No
Transportation Field? Yes No



22. Do you own or rent the place where you're living?

- Own
- Rent
- Other

23. How long have you lived at this address?

- 1 year or less
- less than 5 years, but more than 1 year
- 5 or more years (SKIP TO 25)

24. How many times have you moved in the past 5 years?

- 0 times
- 1 time
- 2 times
- 3 or more times

25. What is the best phone number to use to contact you? (This phone number will only be used for the purpose of this research study.)

- -

Thank you for completing this survey.

Appendix B

Variation Between Core NCVS Instruments and the Westat Pilot

Table C-1. Differences between NCVS-1 and Westat Pilot

Screen	Sub-item	NCVS-1 item	Differences between NCVS CS Pilot and BJS NCVS
A33A		33a	
A33B		33b	
A33C		33c	
A34		34	
A35		35	
B36A1	a	36a(a)	Entire Section B - 12 month reference period used versus 6 month for BJS NCVS; Each probe asked as a unique question/data item rather than the series of lettered sub-items yielding a single yes/no response at the end of the series (with an optional probe).
	b	36a(b)	Each probe asked as a unique question/data item rather than the series of lettered sub-items yielding a single yes/no response at the end of the series (with an optional probe).
	c	36a(c)	Each probe asked as a unique question/data item rather than the series of lettered sub-items yielding a single yes/no response at the end of the series (with an optional probe).
	d	36a(d)	Each probe asked as a unique question/data item rather than the series of lettered sub-items yielding a single yes/no response at the end of the series (with an optional probe).
B36A2_2	e	36a(e)	Each probe asked as a unique question/data item rather than the series of lettered sub-items yielding a single yes/no response at the end of the series (with an optional probe).
	f	36a(f)	Each probe asked as a unique question/data item rather than the series of lettered sub-items yielding a single yes/no response at the end of the series (with an optional probe).
	g	36a(g)	Each probe asked as a unique question/data item rather than the series of lettered sub-items yielding a single yes/no response at the end of the series (with an optional probe).
B36A3		36a(h)	"Attempt" probe asked as separate question following completion of probe series. Introductory text added prior to Q ("We have just discussed things that may have been stolen from you. We're also interested in times when someone <u>tried</u> to steal something from you but did not succeed.")
B36B		36b	
B36C		36c	

Table C-1. Differences between NCVS-1 and Westat Pilot (continued)

Screen	Sub-item	NCVS-1 item	Differences between NCVS CS Pilot and BJS NCVS
B37A	a	37a(a)	Each probe asked as a unique question/data item rather than the series of lettered sub-items yielding a single yes/no response at the end of the series (with an optional probe).
	b	37a(b)	Each probe asked as a unique question/data item rather than the series of lettered sub-items yielding a single yes/no response at the end of the series (with an optional probe).
	c	37a(c)	Each probe asked as a unique question/data item rather than the series of lettered sub-items yielding a single yes/no response at the end of the series (with an optional probe).
B37B		37b	
B37C		37c	
B38		38	
B39A	a	39a(a)	Each probe asked as a unique question/data item rather than the series of lettered sub-items yielding a single yes/no response at the end of the series (with an optional probe).
	b	39a(b)	Each probe asked as a unique question/data item rather than the series of lettered sub-items yielding a single yes/no response at the end of the series (with an optional probe).
	c	39a(c)	Each probe asked as a unique question/data item rather than the series of lettered sub-items yielding a single yes/no response at the end of the series (with an optional probe).
	d	39a(d)	Each probe asked as a unique question/data item rather than the series of lettered sub-items yielding a single yes/no response at the end of the series (with an optional probe).
B39B		39b	
B39C		39c	
B40A1	a	40a(a)	Each probe asked as a unique question/data item rather than the series of lettered sub-items yielding a single yes/no response at the end of the series (with an optional probe).
	b	40a(b)	Each probe asked as a unique question/data item rather than the series of lettered sub-items yielding a single yes/no response at the end of the series (with an optional probe).
	c	40a(c)	Each probe asked as a unique question/data item rather than the series of lettered sub-items yielding a single yes/no response at the end of the series (with an optional probe).
	d	40a(d)	Each probe asked as a unique question/data item rather than the series of lettered sub-items yielding a single yes/no response at the end of the series (with an optional probe).
B40A2	e	40a(e)	Each probe asked as a unique question/data item rather than the series of lettered sub-items yielding a single yes/no response at the end of the series (with an optional probe).
	f	40a(f)	Each probe asked as a unique question/data item rather than the series of lettered sub-items yielding a single yes/no response at the end of the series (with an optional probe).

Table C-1. Differences between NCVS-1 and Westat Pilot (continued)

Screen	Sub-item	NCVS-1 item	Differences between NCVS CS Pilot and BJS NCVS
	g	40a(g)	Each probe asked as a unique question/data item rather than the series of lettered sub-items yielding a single yes/no response at the end of the series (with an optional probe).
B40A3		40a(h)	"Attempt" probe asked as separate question following completion of probe series. Introductory text added prior to Q ("We have just discussed times when someone may have attacked, threatened, or stolen something from you. We're also interested in times when someone may have <u>tried</u> to attack, threaten, or steal something from you.")
B40B		40b	
B40C		40c	
B41A1	a	41a(a)	Each probe asked as a unique question/data item rather than the series of lettered sub-items yielding a single yes/no response at the end of the series (with an optional probe).
	b	41a(b)	Each probe asked as a unique question/data item rather than the series of lettered sub-items yielding a single yes/no response at the end of the series (with an optional probe).
	c	41a(c)	Each probe asked as a unique question/data item rather than the series of lettered sub-items yielding a single yes/no response at the end of the series (with an optional probe).
	d	41a(d)	Each probe asked as a unique question/data item rather than the series of lettered sub-items yielding a single yes/no response at the end of the series (with an optional probe).
B41A2	e	41a(e)	Each probe asked as a unique question/data item rather than the series of lettered sub-items yielding a single yes/no response at the end of the series (with an optional probe).
	f	41a(f)	Each probe asked as a unique question/data item rather than the series of lettered sub-items yielding a single yes/no response at the end of the series (with an optional probe).
	g	41a(g)	Each probe asked as a unique question/data item rather than the series of lettered sub-items yielding a single yes/no response at the end of the series (with an optional probe).
B41B		41b	
B41C		41c	
B42A	a	42a(a)	Each probe asked as a unique question/data item rather than the series of lettered sub-items yielding a single yes/no response at the end of the series (with an optional probe).
	b	42a(b)	Each probe asked as a unique question/data item rather than the series of lettered sub-items yielding a single yes/no response at the end of the series (with an optional probe).
	c	42a(c)	Each probe asked as a unique question/data item rather than the series of lettered sub-items yielding a single yes/no response at the end of the series (with an optional probe).

Table C-1. Differences between NCVS-1 and Westat Pilot (continued)

Screen	Sub-item	NCVS-1 item	Differences between NCVS CS Pilot and BJS NCVS
	d	42a(d)	Each probe asked as a unique question/data item rather than the series of lettered sub-items yielding a single yes/no response at the end of the series (with an optional probe).
B42B		42b	
B42C		42c	
B43A	a	43a(a)	Each probe asked as a unique question/data item rather than the series of lettered sub-items yielding a single yes/no response at the end of the series (with an optional probe).
	b	43a(b)	Each probe asked as a unique question/data item rather than the series of lettered sub-items yielding a single yes/no response at the end of the series (with an optional probe).
	c	43a(c)	Each probe asked as a unique question/data item rather than the series of lettered sub-items yielding a single yes/no response at the end of the series (with an optional probe).
B43B		43b	
B43C		43c	
B44A		44a	
B44C		44c	Asked as mandatory question (if a=yes), rather than used as check item asked if necessary. For NCVS CS Pilot, the sequence was a-c-d-b whereas for BJS NCVS the sequence is a-b-c-d
B44D		44d	
B44B		44b	
B45A		45a	
B45C		45c	Asked as mandatory question (if a=yes), rather than used as check item asked if necessary. For NCVS CS Pilot, the sequence was a-c-d-b whereas for BJS NCVS the sequence is a-b-c-d
B45D		45d	
B45B		45b	
		46 to 59	Household Respondent's Identity Theft Questions not asked in NCVS CS Pilot (items 46 to 59).
Z75A		75a	
Z75B		75b	
Z75C		75c	
Z76A		76a	Other-specify (76b) asked as overlay on same screen.
Z76C		76c	Other-specify (76d) asked as overlay on same screen.
Z76E		76e	Other-specify (76f) asked as overlay on same screen.
Z76G		76g	Other-specify (76h) asked as overlay on same screen.
Z76I		76i	Other-specify (76j) asked as overlay on same screen.
Z76K		76k	Other-specify (76l) asked as overlay on same screen.
Z76M		76m	Other-specify (76n) asked as overlay on same screen.
Z77		77	
Z78		78	

Table C-1. Differences between NCVS-1 and Westat Pilot (continued)

Screen	Sub-item	NCVS-1 item	Differences between NCVS CS Pilot and BJS NCVS
Z79		79	
Z79_1		12a	
Z79_1A		n/a	Income branching item used if response to main income q=refused/don't know
Z79_1B		n/a	Income branching item used if response to main income q=refused/don't know
Z79_1C		n/a	Income branching item used if response to main income q=refused/don't know
Z79_1D		n/a	Income branching item used if response to main income q=refused/don't know
Z79_1E		n/a	Income branching item used if response to main income q=refused/don't know
Z79_1F		n/a	Income branching item used if response to main income q=refused/don't know
Z79_1G		n/a	Income branching item used if response to main income q=refused/don't know

Table C-2. Differences between NCVS-2 and Westat Pilot

Screen	NCVS-2 Item	Differences between NCVS CS Pilot and BJS NCVS
several	several	Entire NCVS-2 instrument: 12 month reference period used versus 6 month for BJS NCVS.
several	several	For questions with explicit "don't know" response choice, NCVS CS Pilot used standard Westat DK code (always available but not shown on screen) versus including an explicit response category with this label on the CATI screen, as is done for the BJS NCVS.
several	several	Other/specify responses collected on overlay screens shown superimposed on main question screen, rather than as follow-up question after completing main question.
several	several	BJS NCVS-2 has several items with the interviewer instruction "Ask or verify" - this was not replicated in CATI as all questions must be either asked or verified, however some key items did include this instruction as it was anticipated that these items would need verification/confirmation rather than straight question-asking for many respondents. Where warranted, the instruction "[ASK IF NOT OBVIOUS]" was used for the NCVS CS Pilot. Items where this instruction was used are listed in order in the table below.
C3	3	Added "and year" to the question ("In what month and year did..."); Allowed DK/Ref responses to month and/or year, when these received follow-up question asked (C3OV) to determine whether incident happened within the last 12 months.
C3OV	n/a	New item added to determine whether incident with DK/Ref for month or year was within the reference period.
C3A	n/a	Statement added for reported incidents that are out of scope date-wise ("We are only asking about crimes that happened during the last 12 months. We will not collect information about this incident.")
C7B	7b	Rephrased start to read "What is the name of the city..." (versus "Please specify the city...").
C10B	10b	Parenthetical phrases about including illegal entry omitted in NCVS CS Pilot.
C11	11	Q asked as "...live there or have a right to be there..." as all interviews conducted by telephone rather than in-person.
C12	12	Fills used based on location reported for incident at C10B.
C13	13	Fills used based on location reported for incident at C10B.
C15A	15a	Text added to clarify response options ("Window" added prior to option 2, "Door" added prior to option 6, option 9 expanded to read "OTHER THAN WINDOW-RELATED OR DOOR-RELATED EVIDENCE")
C18	18	[ASK IF NOT OBVIOUS] instruction displayed.
C19	19	[ASK IF NOT OBVIOUS] instruction displayed.
D20A	20a	[ASK IF NOT OBVIOUS] instruction displayed.
D20B	20b	[ASK IF NOT OBVIOUS] instruction displayed.
D21	21	[ASK IF NOT OBVIOUS] instruction displayed.
D24	24	[ASK IF NOT OBVIOUS] instruction displayed.
D31A	31a	Did not use response category 5 as shown on PDF (this is continuation of text for response category 4, not a unique response).
D34A	34a	Asked "at" instead of "in" ("Did you stay overnight at the hospital?")

Table C-2. Differences between NCVS-2 and Westat Pilot (continued)

Screen	NCVS-2 item	Differences between NCVS CS Pilot and BJS NCVS
D34B	34b	Asked "at" instead of "in" (How many days did you stay at the hospital?)
D37L	37l	Rather than repeating text of 37k item, 37l asked as "What kind of professional help did you seek?"
D38K	38k	Question intro phrased as "Other than any medical care you received for the injury or injuries you suffered, did you..."
D42A	42a	Parenthetical phrases omitted in NCVS CS Pilot to fit all response options on screen (Options 3-(hit, kicked, etc.); 7-(struggled, ducked, blocked blows, held onto property); 10-(stalled, did what they asked); 14-(cried out for help, called children inside))
D47	47	Parenthetical instruction (Other than children under age 12.) changed to read "Please exclude children under age 18." as NCVS CS Pilot only covered adults age 18 or older.
D52	52	Question rephrased to include parenthetical instruction and adjust cutoff child age ("Not counting yourself, the offender, or children under 18 years of age, were any of the persons present during the incident harmed, threatened with harm, or robbed by force or threat of harm?")
D530V	53	Question rephrased to include parenthetical instruction and adjust cutoff child age ("Not counting yourself, the offender, or children under 18 years of age, how many?")
D54A	54a	Question rephrased to include parenthetical instruction and adjust cutoff child age ("Not counting yourself, the offender, or children under 18 years of age, how many of these persons are members of your household now?")
D54B	54b	Question rephrased to make parenthetical instruction part of question, and adjust cutoff child age ("Who are these household members? Do not include yourself, the offender, or children under 18 years of age.")
E65	65	Optional parenthetical phrase made non-optional part of question ("Which was it, drinking or on drugs?")
E71A	71a	Question adjusted in consultation with BJS to cover all races instead of just asking re: white, black, or other - "What race or races was the offender? You may choose more than one. Was the offender White, Black or African-American, American Indian or Alaska Native, Asian, or Native Hawaiian or other Pacific Islander?"
E79	79	Optional parenthetical phrase made non-optional part of question ("Which was it, drinking or on drugs?")
E84A	84A	Question phrased "How well did you know them..." rather than "How did you know them..."
E85A	85A	Question adjusted in consultation with BJS to cover all races instead of just asking re: white, black, or other - "What race or races were the offenders? You may choose more than one. Were the offenders White, Black or African-American, American Indian or Alaska Native, Asian, or Native Hawaiian or other Pacific Islander?" (explicit DK option included, not read aloud, labeled "DON'T KNOW RACE OF SOME OF THE OFFENDERS")

Table C-2. Differences between NCVS-2 and Westat Pilot (continued)

Screen	NCVS-2 Item	Differences between NCVS CS Pilot and BJS NCVS
E86	86	Response categories adjusted in consultation with BJS to cover all races instead of just asking re: white, black, or other - categories used were: MOSTLY WHITE, MOSTLY BLACK OR AFRICAN AMERICAN, MOSTLY AMERICAN INDIAN OR ALASKA NATIVE, MOSTLY ASIAN, MOSTLY NATIVE HAWAIIAN OR OTHER PACIFIC ISLANDER, MOSTLY SOME OTHER RACE, MOSTLY UNKNOWN RACE, EQUAL NUMBER OF EACH RACE
F88	88	Optional text re: items stolen from a business programmed to display only if it was reported in the NCVS-1 that a business is operated out of the respondent's home; text for the two displays varied slightly from BJS NCVS ("Include anything stolen from the business operated from your home." and "[IF NEEDED: Include anything stolen from an <u>unrecognizable</u> business. Do not include anything stolen from a <u>recognizable</u> business in your home, such as merchandise or cash from a register.]")
F89	89	Optional text re: items stolen from a business programmed to display only if it was reported in the NCVS-1 that a business is operated out of the respondent's home; text for the two displays varied slightly from BJS NCVS ("Include anything stolen from the business operated from your home." and "[IF NEEDED: Do not include anything the offender tried to steal from a recognizable business in your home or another business, such as merchandise or cash from a register.]")
F91CA	91c	Only adults 18+ listed as response options for this item, also "household property" shown as option on next screen.
F91CB	n/a	Added check question "WAS HOUSEHOLD PROPERTY STOLEN?" (1=YES, 2=NO)
F92A	92a	Only the plural version of the question was used ("Were the articles in or attached to a motor vehicle when the attempt was made to take them?")
F93	93	Question fills (cash/purse/wallet) customized to display based on what was reported in prior item F90A),
F95	95	Only the items listed at F90A were displayed as response options on this screen. An additional instruction was provided - [IF ITEM IS NOT LISTED, ENTER 99 TO RE-LIST THE ITEMS] - if 99 entered, CATI went to screen F95_ADD with option to return to F90A to re-list the items.
F95_ADD	n/a	Additional question to the interviewer - "DO YOU WANT TO GO BACK AND RE-LIST ATTEMPTED STOLEN ITEMS?" (1=YES, 2=NO). Selecting "yes" led to screen F95_ADOV
F95_ADOV	n/a	Instruction screen shown if F95_ADD=yes - [BE SURE TO ENTER ALL ITEMS. PRESS ENTER TO GO BACK TO LIST ALL ITEMS.]
F96A	96a	Reduced list of response options used on CATI screen for ease of interviewer administration - list included "1. CASH, 2. PURSE, 3. WALLET, 4. CREDIT CARDS, CHECKS, BANK CARDS, 5. CAR, 6. OTHER MOTOR VEHICLE, 7. HANDGUN (PISTOL, REVOLVER), 8. OTHER FIREARM (RIFLE, SHOTGUN), 91. OTHER" (91.OTHER led to overlay screen on which to enter other/specify text).
F96E	96e	Additional "fill" used for situation where cash from purse/wallet and cash both reported stolen - for this situation Q read "Altogether, how much cash was taken?"

Table C-2. Differences between NCVS-2 and Westat Pilot (continued)

Screen	NCVS-2 Item	Differences between NCVS CS Pilot and BJS NCVS
F97CA	F97c	Only adults 18+ listed as response options for this item, also "household property" shown as option on next screen.
F97CB	n/a	Added check question "WAS HOUSEHOLD PROPERTY STOLEN?" (1=YES, 2=NO)
F102A	102a	Question fills (cash/purse/wallet) customized to display based on what was reported in prior item F96A),
F103	103	Reduced list of response options used on CATI screen for ease of interviewer administration - list began with option 1. ALL ITEMS TAKEN DIRECTLY and continued with a list of all items reported stolen at F96A. An additional instruction was provided - [IF ITEM IS NOT LISTED, ENTER 99 TO RE-LIST THE ITEMS] - if 99 entered, CATI went to screen F103_ADD with option to return to F96A to re-list the items.
F103_ADD	n/a	Additional question to the interviewer - "DO YOU WANT TO GO BACK AND RE-LIST ATTEMPTED STOLEN ITEMS?" (1=YES, 2=NO). Selecting "yes" led to screen F103_ADOV
F103_ADOV	n/a	Instruction screen shown if F103_ADD=yes - [BE SURE TO ENTER ALL ITEMS. PRESS ENTER TO GO BACK TO LIST ALL ITEMS.]
F104b	104b	Additional probe provided "[IF NEEDED: Your best estimate is fine.]"
G117A	117a	Responses coded in up to 10 separate "open" text response fields, standard list of response options not provided for this item.
G118	118	Only text responses obtained at G117A shown as response options on this screen, plus final "11. NO ONE REASON MORE IMPORTANT" option at the end of the list.
H136	136	Asked as "Did you have a job at the time the incident happened?" (versus BJS "Did you have a job at the time of the incident?")
H151	151	Question referred to "household members 18 year or older" instead of "16 year or older" as asked for BJS NCVS.
H155	155	Responses coded for each month rather than for quarters (Jan/Feb/March, April/May/June, July/Aug/Sept, Oct/Nov/Dec).
H155A to L	n/a	Follow-up questions asked for each month noted in H155 ("How many times in (MONTH) did these incidents occur?")
n/a	160c	Crime coding screen not used in NCVS CS Pilot due to anticipated interviewer difficulty/time delay in interview required for assigning type of crime code.
	161 to 167b	Hate crime section not asked in NCVS CS Pilot.
I174	174	Text provided for interviewer to read while crafting/recording incident summary "[NOW I WANT TO CORRECTLY SUMMARIZE THE DETAILS OF THIS INCIDENT TO MAKE SURE I HAVE NOT MISSED ANYTHING. PLEASE BEAR WITH ME WHILE I TYPE.]"

Appendix C

Results from Behavior Coding

Screen name		B36A1				B36A2_2			B36A3	B36B	B36C	B37A			B37A	B37B	B37C	B38	B39A				B39B	B39C	B40A1	
Subquestion		a	b	c	d	e	f	g				a	b	c					a	b	c	d			a	b
I. Interviewer behaviors		Codes	101	102	103	104	105	106	107	108	109	110	111	112	113	114	115	116	117	118	119	120	121	122	123	124
A. Read question exactly as written	Yes	51	90	92	69	65	71	81	59	13	9	66	72	71	2	0	44	54	55	58	58	4	1	75	86	
	Min change	39	7	4	24	16	10	15	35	12	15	9	9	8	3	4	21	11	6	8	6	1	1	15	11	
	Maj change	7	0	0	3	1	1	1	2	5	7	7	1	2	2	2	18	1	5	0	2	1	3	7	0	
Percentage "Yes"		53%	93%	98%	76%	83%	86%	84%	63%	55%	13%	85%	87%	90%	17%	0%	56%	86%	86%	88%	88%	67%	20%	77%	93%	
B. Recorded response correctly	Yes	94	96	96	95	82	81	95	91	26	25	82	82	81	7	6	82	64	65	65	65	6	4	94	97	
	No	3	1	0	1	0	1	2	3	2	4	0	0	0	0	0	1	1	1	0	1	0	1	1	0	
	Can't tell	0	0	0	0	0	0	0	1	1	2	0	0	0	0	0	0	0	0	1	0	0	0	0	1	0
Percentage "Yes"		97%	99%	100%	99%	100%	99%	98%	97%	93%	86%	100%	100%	100%	100%	100%	99%	98%	98%	100%	98%	100%	80%	99%	100%	
C. Confirmed previously reported information	Yes	0	3	2	0	1	3	1	3	7	5	1	1	0	0	0	0	1	1	0	0	1	2	1	0	
D. Failed to acknowledge previous informatio	Yes	0	0	0	0	0	0	0	0	0	1	0	0	0	0	0	0	0	1	0	0	0	0	0	0	
E. Repeated all or part of the question	Yes	2	2	1	1	0	1	0	5	1	0	0	2	2	1	0	10	2	0	0	0	1	0	1	8	
F. Used other probe	Yes	3	0	0	3	4	0	3	2	4	6	1	3	1	0	1	6	0	0	0	0	0	1	3	2	
G. Offered other clarification	Yes	8	2	1	0	2	1	1	6	7	0	0	4	0	0	0	5	0	0	0	3	0	0	1	2	
H. Task-oriented comment	Yes	1	4	1	0	2	0	1	0	0	4	2	0	2	0	2	0	0	0	0	0	0	3	0	0	
II. Respondent behaviors																										
A. Codeable response after question was read once	Yes	91	93	95	92	78	79	96	93	20	27	82	82	78	7	3	70	64	65	64	64	7	4	92	93	
	No	3	2	0	1	1	2	1	1	9	2	0	0	2	0	1	8	0	0	0	1	0	1	2	3	
	Can't tell	2	1	0	1	0	0	0	2	1	0	0	0	0	0	2	4	0	0	1	0	0	0	2	0	
Percentage "Yes"		97%	98%	100%	99%	99%	98%	99%	99%	69%	93%	100%	100%	98%	100%	75%	90%	100%	100%	100%	98%	100%	80%	98%	97%	
B. Interrupted to provide a response	Yes	10	0	1	6	2	1	2	3	2	0	10	2	5	0	0	12	5	3	1	1	0	0	5	2	
C. Asked for clarification	Yes	11	4	1	1	3	2	1	4	3	0	0	1	1	0	0	12	1	1	0	0	1	0	2	6	
D. Commented on interview process	Yes	0	2	0	0	1	0	0	0	0	1	0	0	0	0	1	0	0	0	0	0	0	0	0	0	
E. Volunteered additional information	Yes	6	3	2	3	5	4	3	5	5	4	2	6	1	1	0	2	2	3	0	2	0	1	7	2	

Screen name		B40A1		B40A2			B40A3	B40B	B40C	B41A1				B41A2			B41B	B41C	B42A				B42B	B42C	B43A	
Subquestion		c	d	e	f	g				a	b	c	d	e	f	g			a	b	c	d			a	
I. Interviewer behaviors																										
Codes		125	126	127	128	129	130	131	132	133	134	135	136	137	138	139	140	141	142	143	144	145	146	147	148	
A. Read question exactly as written		Yes	83	92	60	0	1	69	83	90	79	1	0	77	83	92	60	0	1	69	83	90	79	1	0	77
		Min change	13	3	15	1	1	20	13	4	12	0	1	18	13	3	15	1	1	20	13	4	12	0	1	18
		Maj change	1	2	22	1	0	8	1	3	3	0	0	1	1	2	22	1	0	8	1	3	3	0	0	1
		Percentage "Yes"	89%	96%	64%	0%	0%	76%	89%	95%	88%	100%	0%	85%	89%	96%	64%	0%	0%	76%	89%	95%	88%	100%	0%	85%
B. Recorded response correctly		Yes	96	96	95	2	1	95	96	97	93	1	1	95	96	96	95	2	1	95	96	97	93	1	1	95
		No	1	0	1	0	1	1	0	0	0	0	0	0	1	0	1	0	1	1	0	0	0	0	0	0
		Can't tell	0	1	1	0	0	1	1	0	0	0	0	0	1	1	0	0	1	1	0	0	0	0	0	0
		Percentage "Yes"	99%	100%	99%	100%	50%	99%	100%	100%	100%	100%	100%	99%	100%	99%	100%	50%	99%	100%	100%	100%	100%	100%	100%	100%
C. Confirmed previously reported information		Yes	0	1	0	0	0	2	0	0	0	0	0	0	1	0	0	0	2	0	0	0	0	0	0	0
D. Failed to acknowledge previous informatio		Yes	0	0	0	0	0	0	0	0	0	0	0	0	0	0	0	0	0	0	0	0	0	0	0	0
E. Repeated all or part of the question		Yes	1	1	1	0	0	0	0	1	2	0	0	1	1	1	1	0	0	0	0	1	2	0	0	1
F. Used other probe		Yes	0	1	3	0	0	0	1	0	1	0	0	1	0	1	3	0	0	0	1	0	1	0	0	1
G. Offered other clarification		Yes	0	1	1	0	0	1	2	0	0	1	0	1	0	1	1	0	0	1	2	0	0	1	0	1
H. Task-oriented comment		Yes	0	1	0	0	1	0	0	0	0	0	0	0	1	0	0	1	0	0	0	0	0	0	0	0
II. Respondent behaviors																										
A. Codeable response after question was read once		Yes	97	95	94	2	3	96	93	96	90	1	1	95	97	95	94	2	3	96	93	96	90	1	1	95
		No	0	2	2	0	0	1	2	1	2	0	0	0	0	2	2	0	0	1	2	1	2	0	0	0
		Can't tell	0	0	1	0	0	0	2	0	0	0	0	0	0	1	0	0	0	2	0	0	0	0	0	0
		Percentage "Yes"	100%	98%	98%	100%	100%	99%	98%	99%	98%	100%	100%	100%	98%	98%	100%	100%	99%	98%	99%	98%	100%	100%	100%	100%
B. Interrupted to provide a response		Yes	2	0	5	0	0	2	1	1	1	0	0	5	2	0	5	0	0	2	1	1	1	0	0	5
C. Asked for clarification		Yes	2	3	2	0	0	1	0	2	2	0	0	1	2	3	2	0	0	1	0	2	2	0	0	1
D. Commented on interview process		Yes	0	0	0	0	0	0	0	0	1	0	0	0	0	0	0	0	0	0	0	0	1	0	0	0
E. Volunteered additional information		Yes	0	0	2	0	0	1	3	1	1	0	0	4	0	0	2	0	0	1	3	1	1	0	0	4

Screen name	Subquestion	B43A		B43B	B43C	B44A	B44C	B44D	B44B	B45A	B45C	B45D	B45B	Total		
		b	c												N	%
I. Interviewer behaviors		Codes		149	150	151	152	153	154	155	156	157	158	159	160	
A. Read question exactly as written	Yes	87	79	3	3	86	7	1	1	84	2	0	0	3,001	79.1%	
	Min change	7	15	2	2	10	1	0	0	11	0	0	0	613	16.2%	
	Maj change	2	2	0	0	1	1	0	0	2	0	0	0	179	4.7%	
Percentage "Yes"		91%	83%	100%	33%	93%	71%	100%	100%	93%	100%	N/A	N/A	3,793		
B. Recorded response correctly	Yes	95	95	5	5	96	9	1	0	95	1	0	0	3,728	98.5%	
	No	0	0	0	0	0	0	0	1	1	0	0	0	39	1.0%	
	Can't tell	1	1	0	0	1	0	0	0	1	1	0	0	18	0.5%	
Percentage "Yes"		100%	100%	100%	100%	100%	100%	100%	0%	99%	100%	N/A	N/A	3,785		
C. Confirmed previously reported information	Yes	0	1	0	1	1	1	0	0	0	0	0	0	53	1.4%	
D. Failed to acknowledge previous information	Yes	0	0	0	0	0	0	0	0	0	0	0	0	2	0.1%	
E. Repeated all or part of the question	Yes	2	0	0	0	1	1	1	1	2	1	0	0	67	1.8%	
F. Used other probe	Yes	0	0	0	2	2	0	0	0	2	0	0	0	66	1.7%	
G. Offered other clarification	Yes	0	1	0	0	1	0	1	0	0	0	0	0	72	1.9%	
H. Task-oriented comment	Yes	0	0	0	1	1	0	0	0	0	0	0	0	35	0.9%	
II. Respondent behaviors																
A. Codeable response after question was read once	Yes	93	95	5	4	93	9	0	0	93	1	0	0	3,662	97.3%	
	No	2	0	0	1	2	0	1	1	4	1	0	0	76	2.0%	
	Can't tell	0	0	0	0	2	0	0	0	0	0	0	0	27	0.7%	
Percentage "Yes"		98%	100%	100%	80%	98%	100%	0%	0%	96%	50%	N/A	N/A	3,765		
B. Interrupted to provide a response	Yes	1	0	0	0	1	0	0	0	2	0	0	0	124	3.3%	
C. Asked for clarification	Yes	3	0	0	0	1	1	1	0	1	1	0	0	91	2.4%	
D. Commented on interview process	Yes	0	1	0	0	0	0	0	0	0	0	0	0	9	0.2%	
E. Volunteered additional information	Yes	0	0	0	0	4	0	1	0	1	0	0	0	97	2.6%	

Appendix D

Behavior Coding Questions Reviewed With Recommendations

NCVS-CS Pilot CATI Screen Name: B36A1

I'm going to read some examples that will give you an idea of the kinds of crimes this study covers.

As I go through them, tell me if any of these happened to you in the last 12 months, that is since {DISPLAY D1}.

Was something belonging to you stolen, such as...

- a. things that you carry, like luggage, a wallet, a purse, a briefcase or a book?

Notes: Not read exactly as written 42% of the time, including major misreads (usually not finishing the question after R interrupted. R interrupted or asked for clarification 18 times in 83 interviews. Most often, interruption followed “Was something belonging to you stolen . . .” Suggestion: end first question after “stolen”; then continue with probes a-h. Frequent minor misreading issue: “a wallet, purse, or book.” Suggestion: re-word the question this way.

- b. clothing, jewelry, or cellphone?

Notes: Nothing noteworthy based on selected interviews.

- c. bicycle or sports equipment?

Notes: Nothing noteworthy based on selected interviews.

- d. things in your home, like a TV, a stereo, or tools?

Notes: Mostly minor misreadings (24%). Suggestion: drop “a” before “stereo.”

NCVS-CS Pilot CATI Screen Name: B36A2_2

[Tell me if any of these happened to you in the last 12 months, that is since {DISPLAY D1}.
Was something belonging to you stolen, such as...]

- e. things outside your home such as a garden hose, or lawn furniture?

Notes: Nothing noteworthy based on selected interviews.

- f. things belonging to children in the household?

Notes: Nothing noteworthy based on selected interviews.

- g. things from a vehicle, such as a package, groceries, camera or CDs?

Notes: Nothing noteworthy based on selected interviews.

NCVS-CS Pilot CATI Screen Name: B36A3

We have just discussed things that may have been stolen from you. We're also interested in times when someone tried to steal something from you but did not succeed.

(In addition to what you just told us,) Did anyone attempt to steal anything belonging to you?

Notes: Minor misreads = 37%; no particular pattern. This is a difficult question for Rs – “not that I know of” a frequent thoughtful response.

NCVS-CS Pilot CATI Screen Name: B36B

How many times did incidents of this type happen to you in the last 12 months?

Notes: A fair amount of interaction around this question – sometimes Repondents don't connect it with what they reported (say “none”). 45% misreads, but not because of a problem with question.

NCVS-CS Pilot CATI Screen Name: B37C

[BREAK-IN IN THE LAST 12 MONTHS]

What happened? Please briefly describe the [most recent/next] incident.

Notes: Nothing noteworthy based on selected interviews.

NCVS-CS Pilot CATI Screen Name: B38

What was the total number of cars, vans, trucks, motorcycles, or other motor vehicles owned by you or any other member of this household during the last 12 months? Include those you no longer own.

Notes: Most problematic question in NCVS-1, from a behavioral coding perspective. 16 major misreads, usually leaving out “any other member of this household” or “Include those you no longer own.” R interrupted or asked for clarification 24 times, interviewer probed or offered clarification 20 times. This is a very complicated question with multiple qualifications. Passive voice and “what was the total number” rather than “how many” add to the complexity.

NCVS-CS Pilot CATI Screen Name: B39A

During the last 12 months, (other than the incidents already mentioned,) ...

- a. (was the vehicle/were any of the vehicles) stolen or used without permission?

Notes: Nothing noteworthy based on selected interviews.

- b. did anyone steal any parts such as a tire, car stereo, hubcap, or battery?

Notes: Nothing noteworthy based on selected interviews.

- c. did anyone steal any gas from (it/them)?

Notes: Nothing noteworthy based on selected interviews.

- d. did anyone attempt to steal any vehicle or parts attached to (it/them)

Notes: Nothing noteworthy based on selected interviews.

NCVS-CS Pilot CATI Screen Name: B37B

[VEHICLE INCIDENT.] How many times did incidents of this type happen to you in the last 12 months?

Notes: Nothing noteworthy based on selected interviews.

NCVS-CS Pilot CATI Screen Name: B39C

[VEHICLE INCIDENT IN THE LAST 12 MONTHS] What happened? Please briefly describe the [most recent/next] incident.

Notes: Nothing noteworthy based on selected interviews.

NCVS-CS Pilot CATI Screen Name: B40A1

(Other than the incidents already mentioned,) Since (DATE ONE YEAR AGO), were you attacked or threatened or did you have something stolen from you...

- a. at home including the porch or yard?

Notes: Nothing noteworthy based on selected interviews.

- b. at or near a friend's, relative's, or neighbor's home?

Notes: Re-reading required 8 times out of 83. Syntax awkward; "at or near someone else's home, such as that of a friend, relative, or neighbor?"

- c. at work or school?

Notes: Nothing noteworthy based on selected interviews.

- d. in places such as a storage shed or laundry room, a shopping mall, restaurant, bank, or airport?

Notes: Nothing noteworthy based on selected interviews.

NCVS-CS Pilot CATI Screen Name: B40A2

(Other than the incidents already mentioned,) Since {DATE ONE YEAR AGO}, were you attacked or threatened or did you have something stolen from you...

e. while riding in any vehicle?

Notes: Nothing noteworthy based on selected interviews.

f. on the street or in a parking lot?

Notes: Nothing noteworthy based on selected interviews.

g. at such places as a party, theater, gym, picnic area, bowling lanes, or while fishing or hunting?

Notes: 8 major misreads – mostly omission of one or more examples. Can be awkward to read to older Respondents.

NCVS-CS Pilot CATI Screen Name: B40A3

We have just discussed times when someone may have attacked, threatened, or stolen something from you. We're also interested in times when someone may have tried to attack, threaten, or steal something from you.

(Other than the incidents already mentioned,) Since (DATE ONE YEAR AGO), did anyone attempt to attack or attempt to steal anything belonging to you from any of these places?

Notes: 36% mis-reads, a variety of minor things.

NCVS-CS Pilot CATI Screen Name: B40B

[ATTACK OR THEFT OR ATTEMPT OF ATTACK OR THEFT.] How many times did incidents of this type happen to you in the last 12 months?

Notes: Nothing noteworthy based on selected interviews.

NCVS-CS Pilot CATI Screen Name: B40C

[ATTACK OR THEFT OR ATTEMPT OF ATTACK OR THEFT IN THE LAST 12 MONTHS] What happened? Please briefly describe the [most recent/next] incident.

Notes: Nothing noteworthy based on selected interviews.

NCVS-CS Pilot CATI Screen Name: B41A1

During the last 12 months, (other than the incidents already mentioned,) has anyone attacked or threatened you in any of these ways...

[EXCLUDE TELEPHONE THREATS.]

- a. with any weapon, for instance, a gun or knife?

Notes: Nothing noteworthy based on selected interviews.

- b. with anything like a baseball bat, a frying pan, scissors, or stick?

Notes: Nothing noteworthy based on selected interviews.

- c. by something thrown, such as a rock or bottle?

Notes: Nothing noteworthy based on selected interviews.

- d. include any grabbing, punching, or choking?

Notes: Nothing noteworthy based on selected interviews.

NCVS-CS Pilot CATI Screen Name: B41A2

During the last 12 months, (other than the incidents already mentioned,) has anyone attacked or threatened you in any of these ways...

[EXCLUDE TELEPHONE THREATS.]

- e. any rape, attempted rape or other type of sexual attack?

Notes: Nothing noteworthy based on selected interviews.

- f. any face to face threats?

Notes: Nothing noteworthy based on selected interviews.

- g. any attack or threat or use of force by anyone at all? Please mention it even if you are not certain it was a crime.

Notes: 36% misreads, a majority major – omission of last sentence most frequent.

NCVS-CS Pilot CATI Screen Name: B41B

[ATTACK, THREAT, OR USE OF FORCE.] How many times did incidents of this type happen to you in the last 12 months?

Notes: Nothing noteworthy based on selected interviews.

NCVS-CS Pilot CATI Screen Name: B41C

[ATTACK, THREAT, OR USE OF FORCE IN THE LAST 12 MONTHS] What happened? Please briefly describe the [most recent/next] incident.

Notes: Nothing noteworthy based on selected interviews.

NCVS-CS Pilot CATI Screen Name: B42A

People often don't think of incidents committed by someone they know. During the last 12 months, (other than the incidents already mentioned,) did you have something stolen from or were you attacked or threatened by...

[EXCLUDE TELEPHONE THREATS.]

- a. someone at work or school?

Notes: Nothing noteworthy based on selected interviews.

- b. a neighbor or friend?

Notes: Nothing noteworthy based on selected interviews.

- c. a relative or family member?

Notes: Nothing noteworthy based on selected interviews.

- d. any other person you've met or known?

Notes: Nothing noteworthy based on selected interviews.

NCVS-CS Pilot CATI Screen Name: B42B

[ATTACK OR THREAT BY SOMEONE YOU KNOW.] How many times did incidents of this type happen to you in the last 12 months?

Notes: Nothing noteworthy based on selected interviews.

NCVS-CS Pilot CATI Screen Name: B42C

[ATTACK OR THREAT BY SOMEONE YOU KNOW IN THE LAST 12 MONTHS] What happened? Please briefly describe the [most recent/next] incident.

Notes: Nothing noteworthy based on selected interviews.

NCVS-CS Pilot CATI Screen Name: B43A

Incidents involving forced or unwanted sexual acts are often difficult to talk about. During the last 12 months, {(other than the incidents already mentioned,) have you been forced or coerced to engage in unwanted sexual activity by...

- a. someone you didn't know?

Notes: Nothing noteworthy based on selected interviews.

- b. a casual acquaintance?

Notes: Nothing noteworthy based on selected interviews.

- c. someone you know well?

Notes: Nothing noteworthy based on selected interviews.

NCVS-CS Pilot CATI Screen Name: B43B

[FORCED OR UNWANTED SEXUAL ACTS.] How many times did incidents of this type happen to you in the last 12 months?

Notes: Nothing noteworthy based on selected interviews.

NCVS-CS Pilot CATI Screen Name: B43C

[FORCED OR UNWANTED SEXUAL ACTS IN THE LAST 12 MONTHS] What happened? Please briefly describe the [most recent/next] incident.

Notes: Too much probing by one interviewer at this question (rather than waiting to collect the details later in the NCVS2 instrument).

NCVS-CS Pilot CATI Screen Name: B44A

During the last 12 months, (other than the incidents already mentioned,) did you call the police to report something that happened to you which you thought was a crime?

Notes: Nothing noteworthy based on selected interviews.

NCVS-CS Pilot CATI Screen Name: B44C

During the last 12 months, were you attacked or threatened, or was something stolen or an attempt made to steal something that belonged to you or another household member?

Notes: Nothing noteworthy based on selected interviews.

NCVS-CS Pilot CATI Screen Name: B44D

[CALL POLICE TO REPORT CRIME AND ATTACK, THREAT, THEFT, OR THEFT ATTEMPT ON RESPONDENT OR HOUSEHOLD MEMBER.] How many times did incidents of this type happen to you in the last 12 months?

Notes: Nothing noteworthy based on selected interviews.

NCVS-CS Pilot CATI Screen Name: B44C

[CALL POLICE TO REPORT CRIME AND ATTACK, THREAT, THEFT, OR THEFT ATTEMPT ON RESPONDENT OR HOUSEHOLD MEMBER IN THE LAST 12 MONTHS] What happened? Please briefly describe the [most recent/next] incident.

Notes: Nothing noteworthy based on selected interviews.

NCVS-CS Pilot CATI Screen Name: B45A

During the last 12 months, (other than the incidents already mentioned,) did anything which you thought was a crime happen to you, but you did not report to the police?

Notes: Nothing noteworthy based on selected interviews.

NCVS-CS Pilot CATI Screen Name: B45C

During the last 12 months, were you attacked or threatened, or was something stolen or an attempt made to steal something that belonged to you or another household member?

Notes: Nothing noteworthy based on selected interviews.

NCVS-CS Pilot CATI Screen Name: B45D

[CALL POLICE TO REPORT CRIME AND ATTACK, THREAT, THEFT, OR THEFT ATTEMPT ON RESPONDENT OR HOUSEHOLD MEMBER.] How many times did incidents of this type happen to you in the last 12 months?

Notes: Nothing noteworthy based on selected interviews.

NCVS-CS Pilot CATI Screen Name: B45C

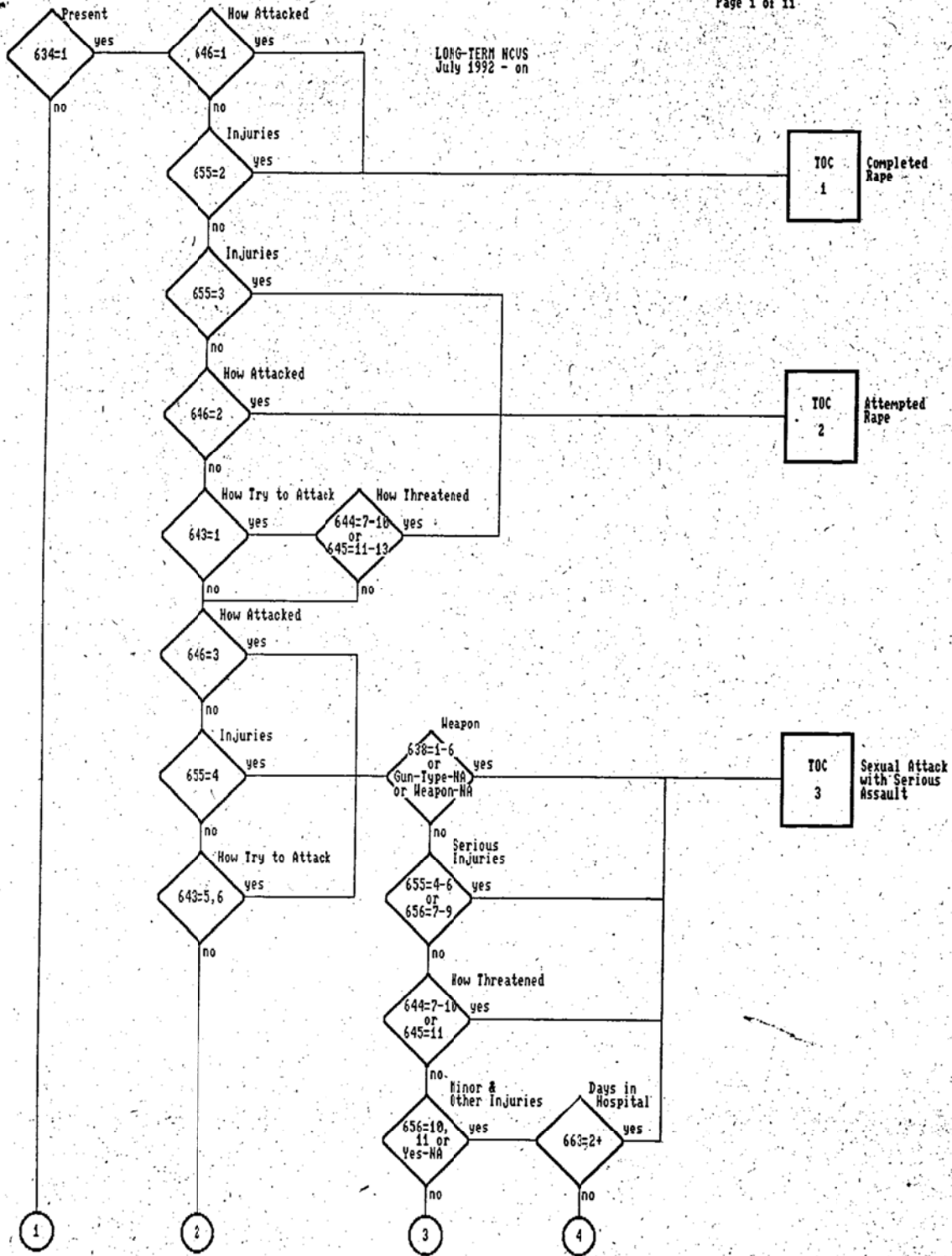
[DID NOT CALL POLICE TO REPORT CRIME IN THE LAST 12 MONTHS] What happened? Please briefly describe the [most recent/next] incident.

Notes: Nothing noteworthy based on selected interviews.

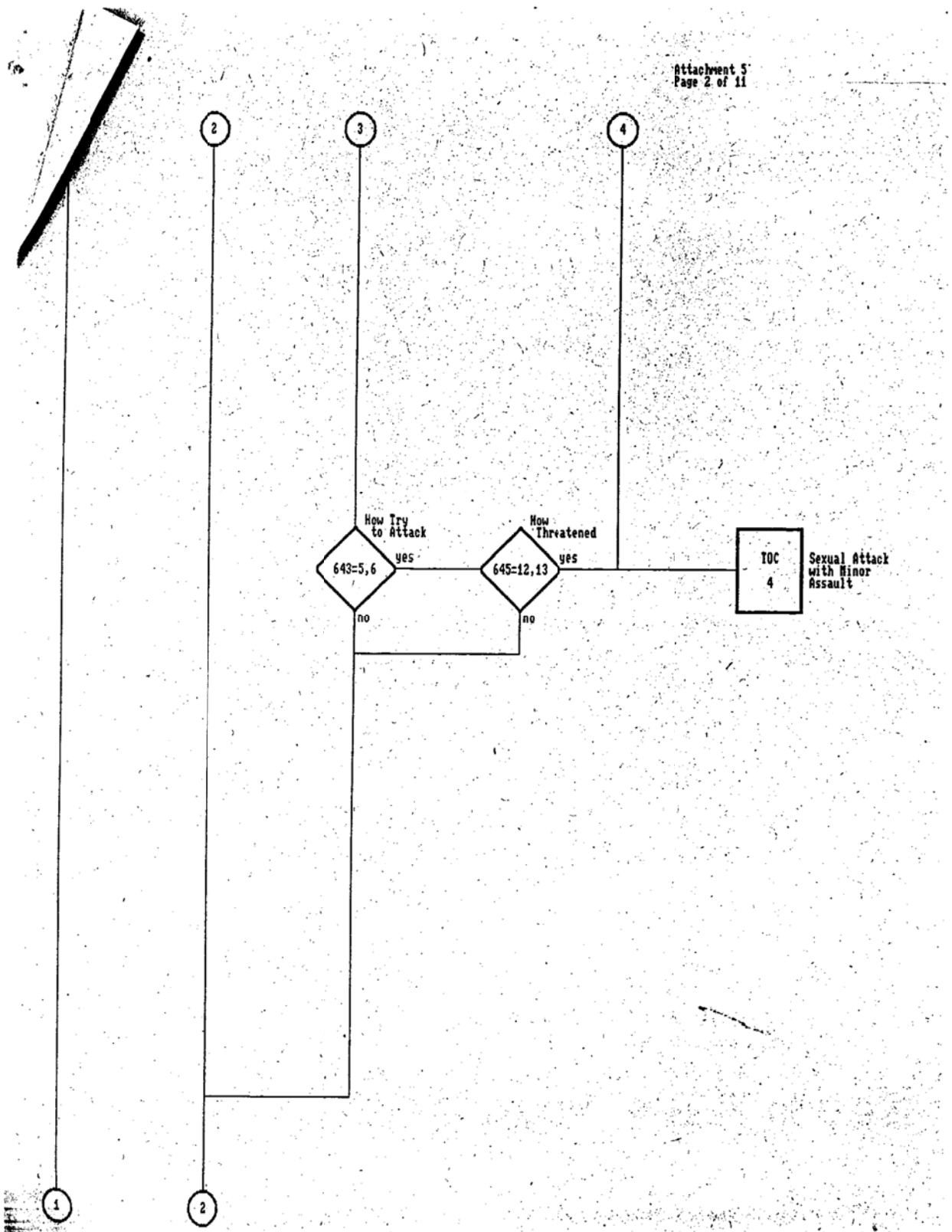
Appendix E

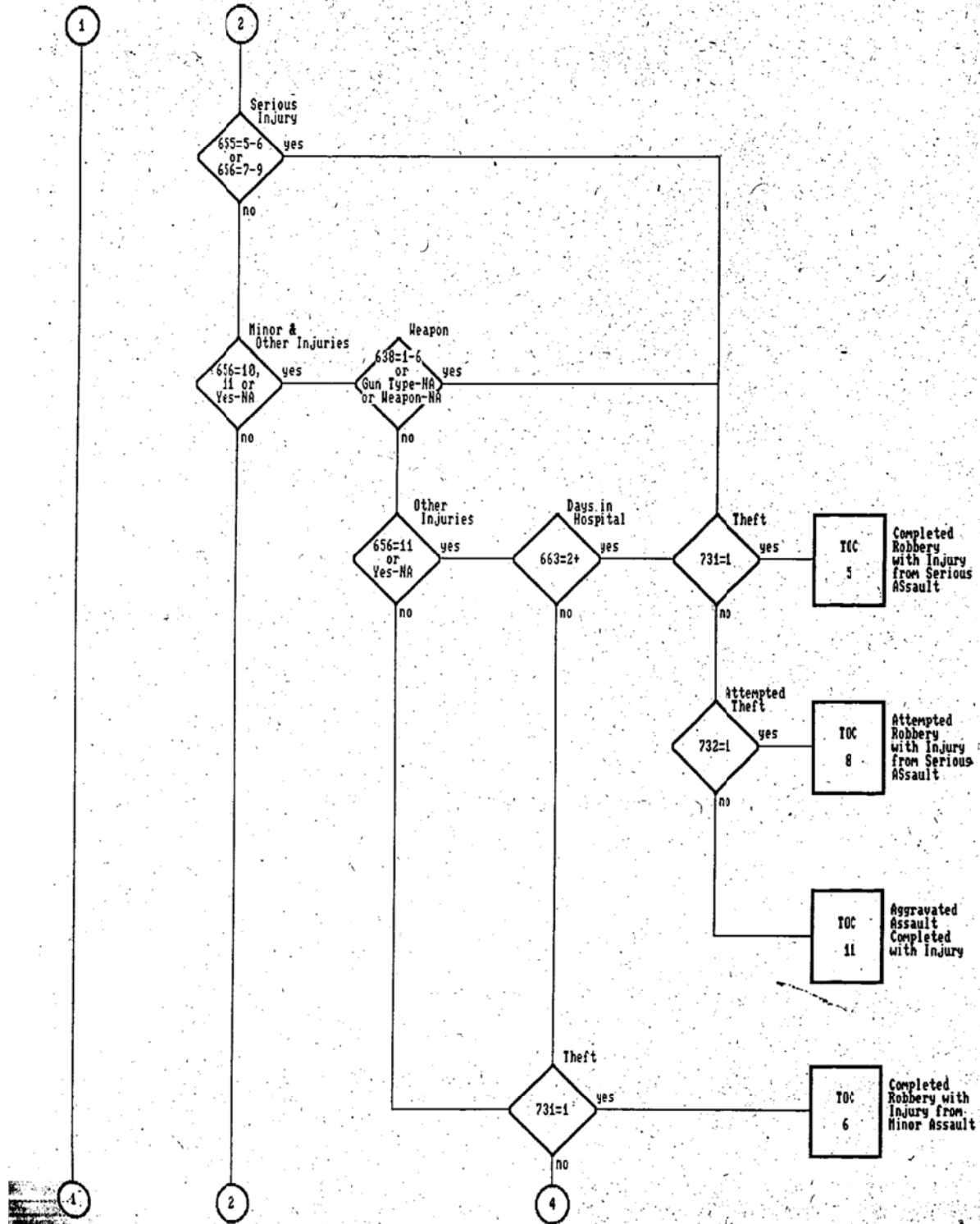
Census Flow Chart of TOC Codes

LONG-TERM NCUS
 July 1992 - on

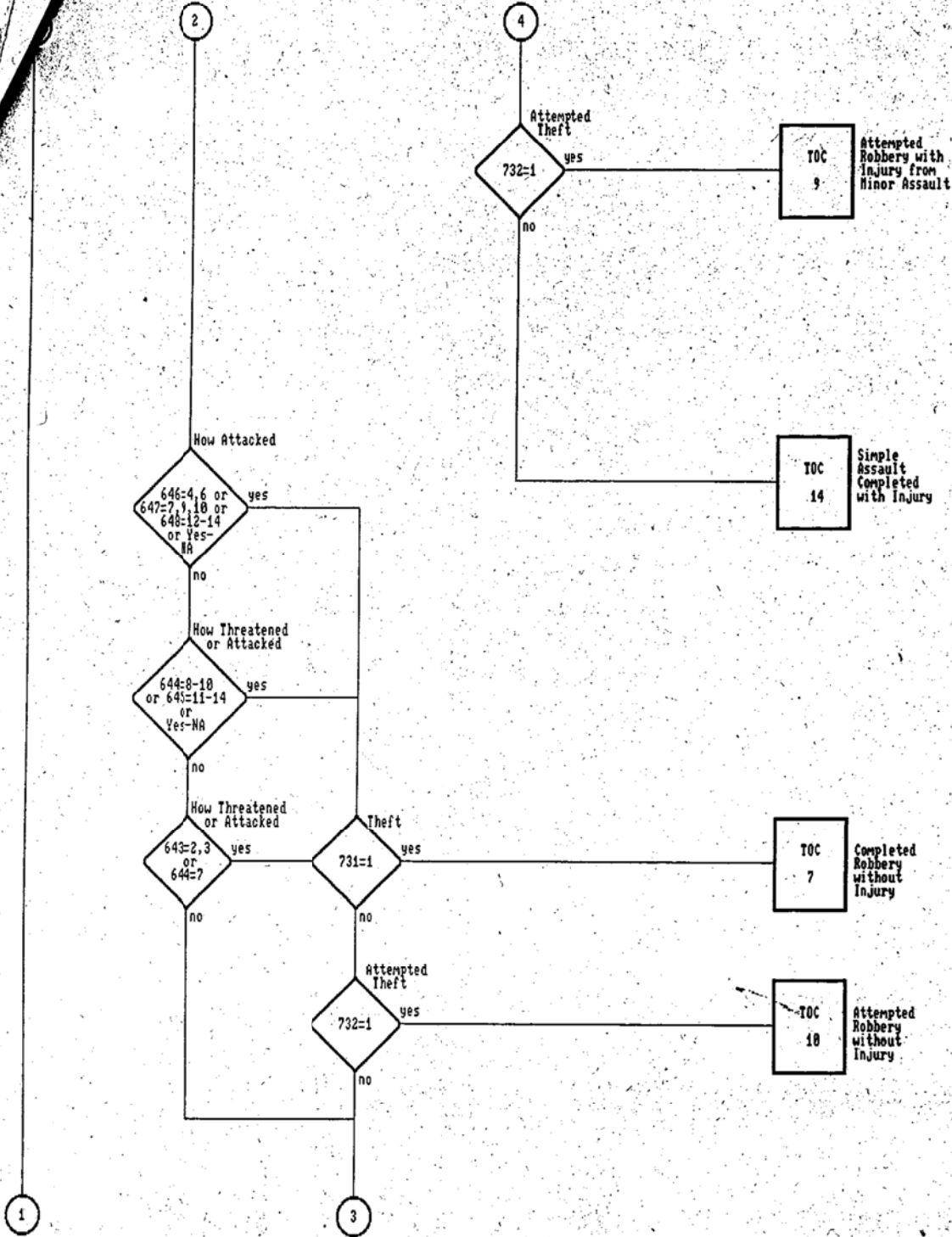


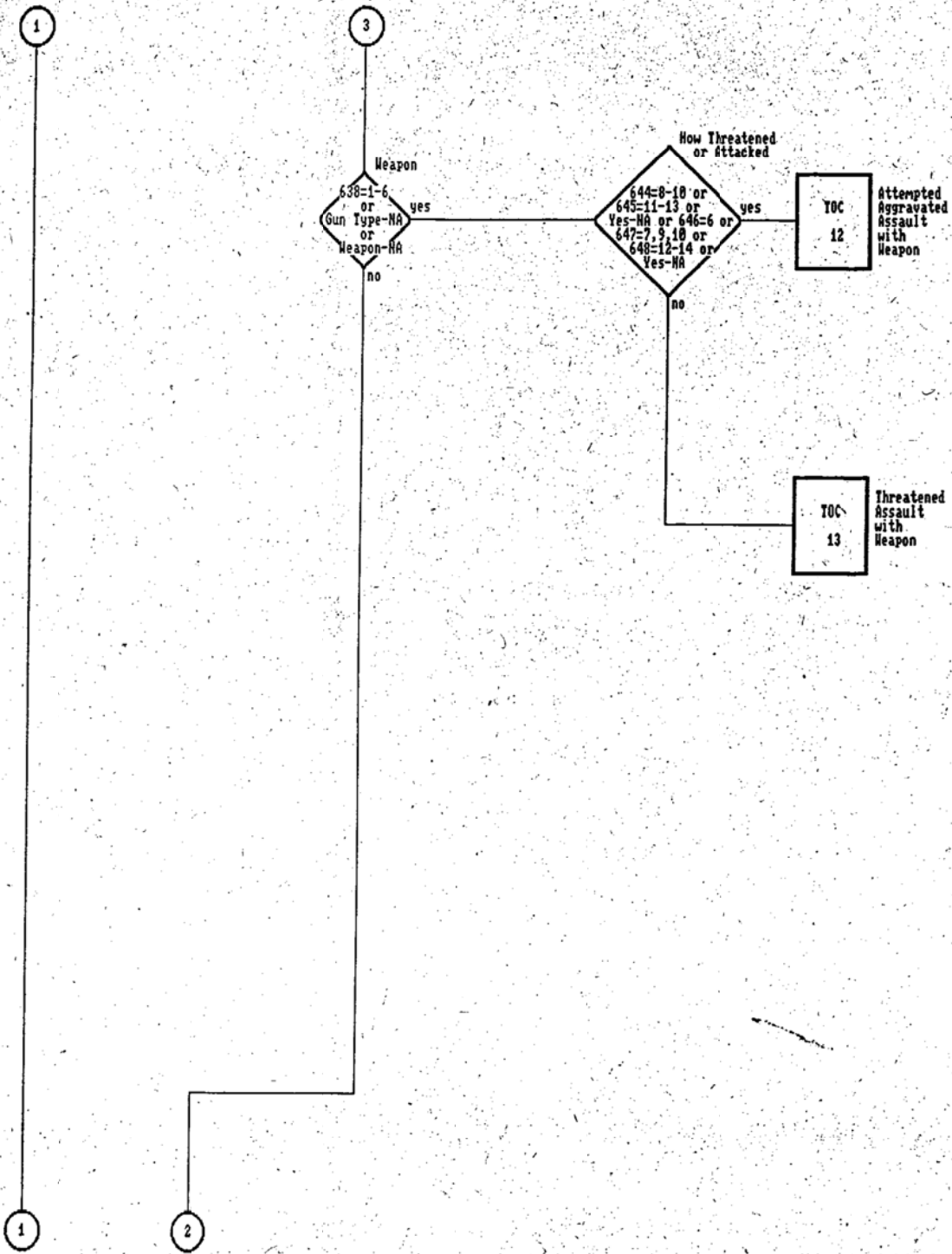
Attachment 5
Page 2 of 11



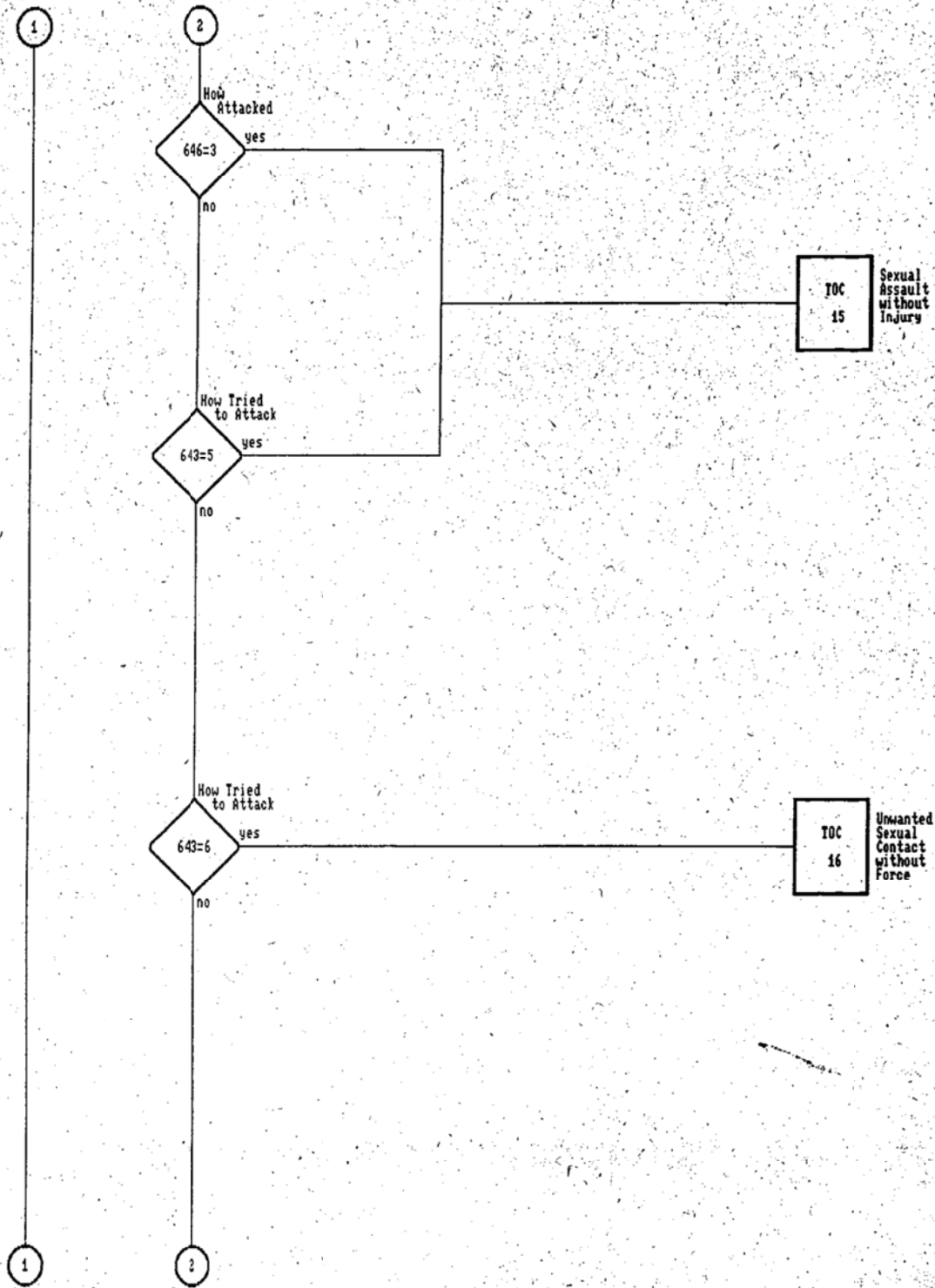


Attachment 5
 Page 4 of 11

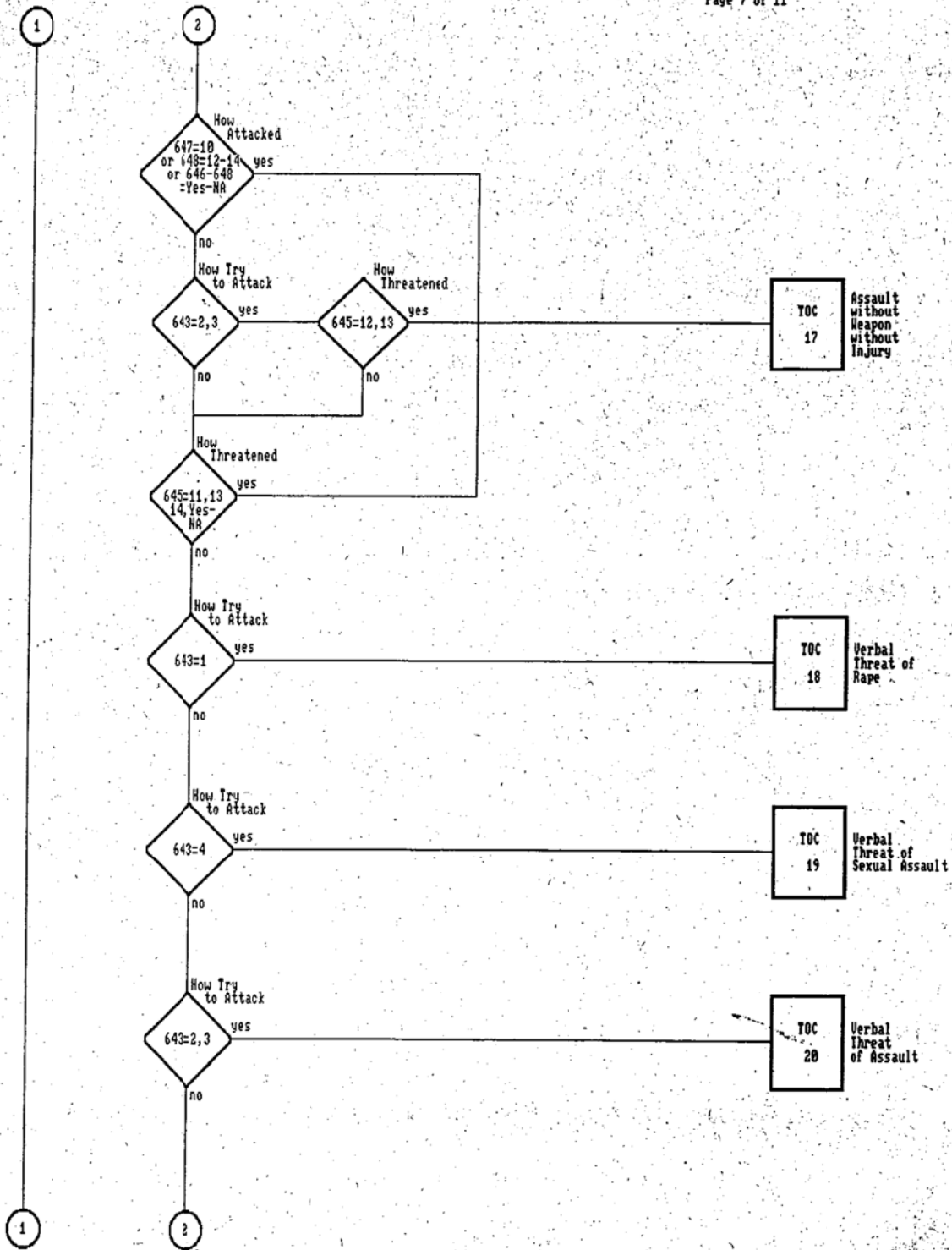




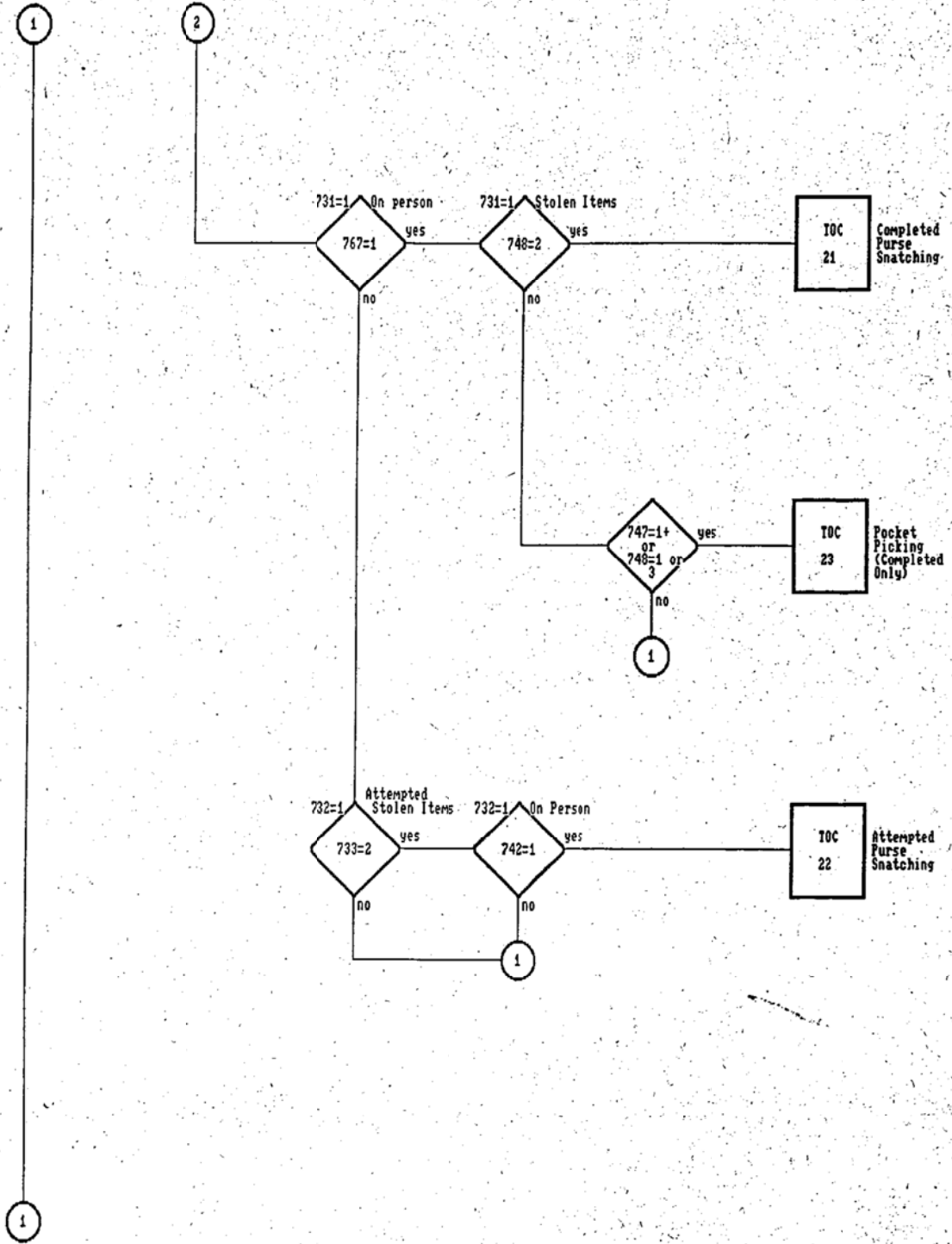
Attachment 5
Page 6 of 11

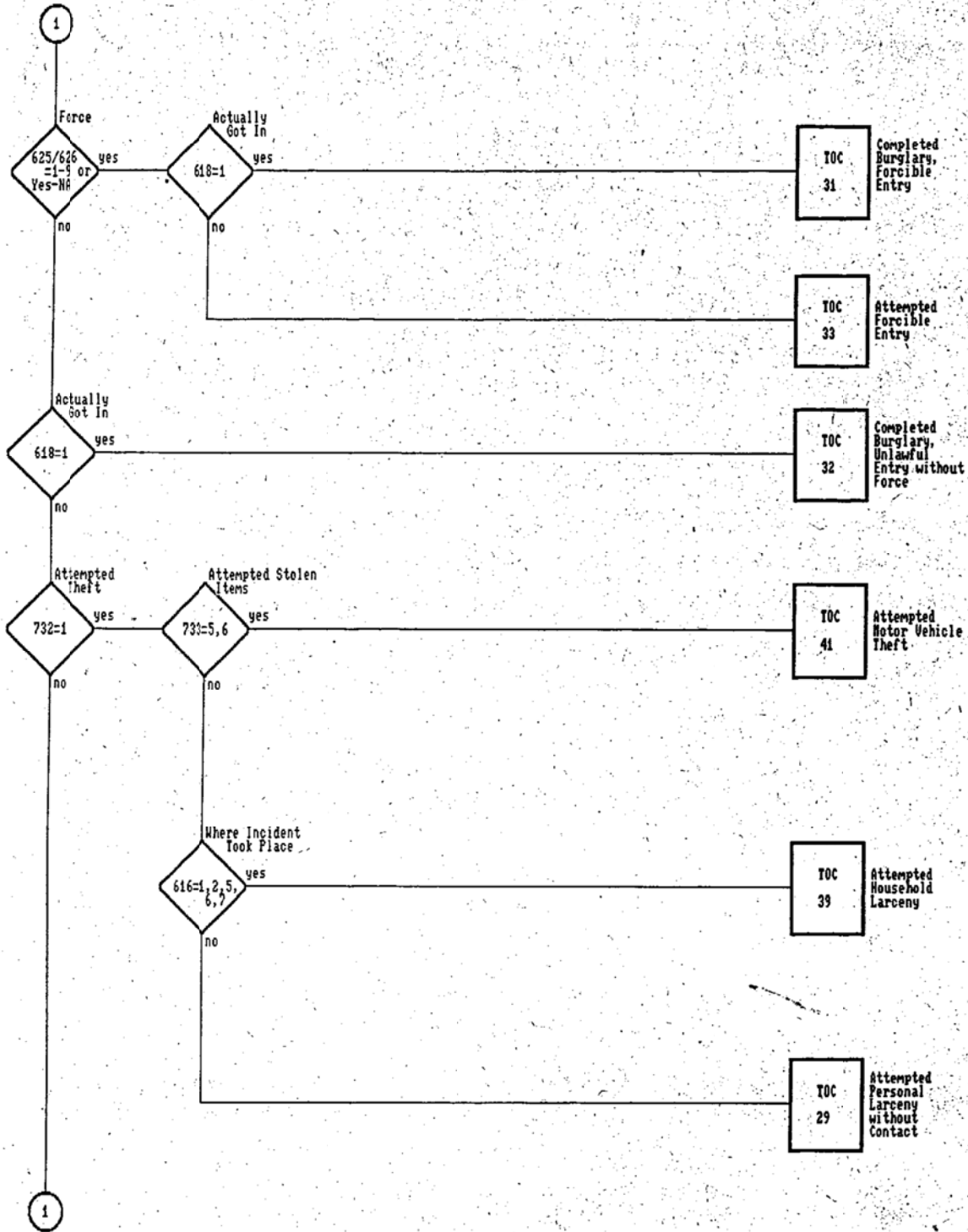


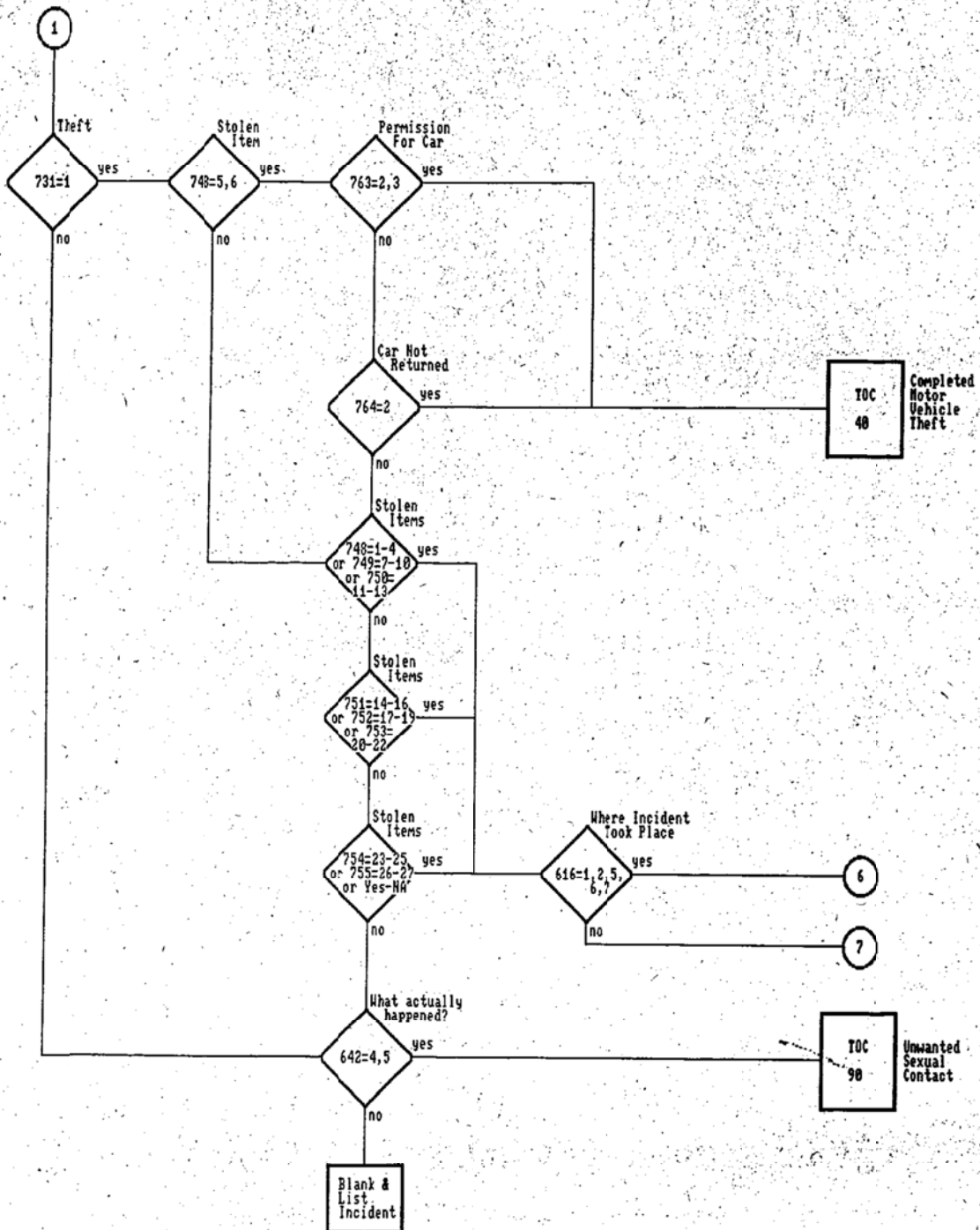
Attachment 5
 Page 7 of 11

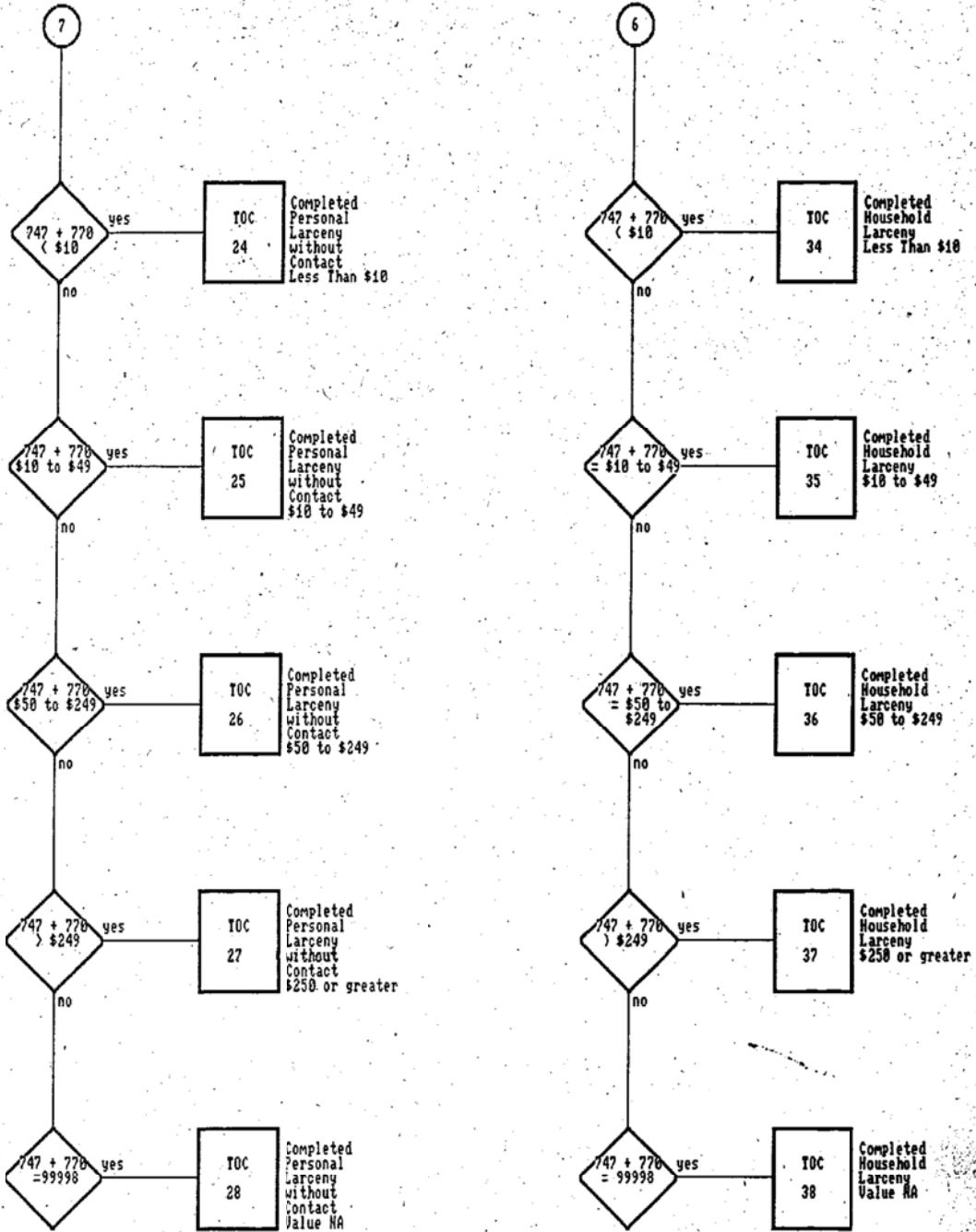


Attachment 5
 Page 8 of 11









Appendix F

Type of Crime Specifications

The table below provides the specifications for Census Type of Crime (TOC) Coding. Codes are presented in programming order (and are not necessarily listed in numeric order).

Situation	TOC recode	TOC description	Recode description
TOC=00 and SC634a=1 and (SC646_01=1 or SC655_02 = 1)	01	Completed Rape	Presence and raped (howattack, injury)
TOC=00 and SC634a = 1 and (SC655_03=1 or SC646_02=1 or (SC643_01=1 and any SC643_07-13=1)))	02	Attempted Rape	Presence and (attempted rape (howattack, injury) or (verbal threat of rape with (weapon or being followed, or struck w/o weapon (howtryattack/threaten))))
TOC=00 and SC634a=1 and (SC646_03=1 or SC655_04=1 or SC643_05=1 or SC643_06=1) and (any SC638_01-06=1 or SC638LIC=3 or 7 or any SC655_04-09=1 or any SC643_07-11=1 or ((SC655_10=1 or SC655_11=1 or SC655=yes 'NA') and SC663=2-200))	03	Sexual Attack with Serious Assault	Presence and (sexual assault other than rape or attempted rape (howattack, injury), or unwanted sexual contact w/o force (howtryattack/threaten)) with (any type of weapon or weapon present (weapon) or severe injury not rape or attempted rape (injury), or lesser injury with hospital stay of 2 or more days (injury and caredayhospital))
TOC=00 and SC634a=1 and (SC646_03=1 or SC655_04 = 1 or any SC643_05-06=1) and (any SC655_10-11=1 or SC655=yes 'NA') or (any SC643_05-06=1 and any SC643_12-13=1))	04	Sexual Attack with Minor Assault	Presence and (sexual assault, not rape or attempted rape(howattack, injury) or unwanted sexual contact with or w/o force (howtryattack/threaten)) and (minor injury (injury) or yes NA in injury, or (unwanted sexual contact w/ or w/o force and (followed, hit, slapped, surrounded, etc. (howtryattack/threaten))))
TOC=00 and SC634a=1 and SC731a=1 and (any SC655_5-9=1 or ((any SC655_10-11 or SC655=yes 'NA') and ((any SC638_1-6 or SC638LIC=3 or 7) or ((SC655_11=1 or SC655=yes 'NA') and SC663 = 2-200))))	05	Completed Robbery with Injury from Serious Assault	Presence, Theft, and (Nonsexual major injury(injury) or ((minor injury (injury) or yes 'NA' in injury) and (Any weapon present (weapon) or ((other specified injury or yes 'NA' (injury)) and hospital stay of 2-200 days))))
TOC=00 and SC634a=1 and SC732a=1 and (any SC655_5-9=1 or ((any SC655_10-11=1 or SC655=yes 'NA') and ((any SC638_1-6=1 or SC638LIC=3,7) or ((SC655_11=1 or SC655=yes 'NA') and SC663=2-200))))	08	Attempted Robbery with Injury from Serious Assault	Presence, Attempted theft, and (nonsexual major injury(injury) or ((minor injury (injury) or yes 'NA' in injury) and (any weapon present (weapon) or ((other specified injury or yes 'NA' (injury)) and hospital stay of 2-200 days (caredayhospit))))

Situation	TOC recode	TOC description	Recode description
TOC=00 and SC634a = 1 and (any SC655_5-9=1 or ((any SC655_10-11=1 or SC655=yes 'NA') and ((any SC638_1-6=1 or SC638LIC=3,7) or ((SC655_11=1 or SC655=yes 'NA') and SC663=2-200))))	11	Aggravated Assault Completed with Injury	Presence and (nonsexual major injury(injury) or ((minor injury (injury) or yes 'NA' in injury) and (any weapon present (weapon) or ((other specified injury or yes 'NA' (injury)) and hospital stay of 2-200 days (caredayhospit))))
TOC=00 and SC634a=1 and SC731a=1 and (SC655_10=1 or SC655_11=1 or SC655=yes 'NA')	06	Completed Robbery with Injury from Minor Assault	Presence, Theft, and (minor injury (injury) or yes 'NA' in injury)
TOC=00 and SC634a=1 and SC732a = 1 and (any SC655_10-11=1 or SC655=yes 'NA')	09	Attempted Robbery with Injury from Minor Assault	Presence, Attempted theft, and (minor injury (injury) or yes 'NA' in injury)
TOC=00 and SC634a=1 and (any SC655_10-11=1 or SC655=yes 'NA')	14	Simple Assault Completed with Injury	Presence and (minor injury (injury) or yes 'NA' in injury)
TOC=00 and SC634a=1 and SC731a=1 and (any SC646_04,06,07,09,10,12-14=1 or SC646=yes 'NA' or any SC643_02-03,07-14=1 or SC643=yes 'NA')	07	Completed Robbery without Injury	Presence, Theft, and (shot, hit with an object or weapon, stabbed, hit, grabbed, or other specify (howattack) or yes 'NA' in howattack or yes 'NA' for howattack/threaten or any type of attempted attack or threat excluding ones of a sexual nature (howtryattack/threaten)
TOC=00 and SC634a=1 and SC732a=1 and (any SC646_04,06,07,09,10,12-14=1 or SC646=yes 'NA' or any SC643_02-03,07-14=1 or SC643=yes 'NA')	10	Attempted Robbery without Injury	Presence, Attempted theft, and (shot, hit with an object or weapon, stabbed, hit, grabbed, or other specify (howattack) or yes 'NA' in howattack or yes 'NA' for howattack/threaten or any type of attempted attack or threat excluding ones of a sexual nature (howtryattack/threaten)
TOC=00 and SC634a=1 and (any SC638_1-6=1 or any SC638LIC=3,7) and (any SC643_08-13=1 or SC643=yes 'NA' or any SC646_06,07,09,10,12-14=1 or SC646=yes 'NA')	12	Attempted Aggravated Assault with Weapon	Presence and weapon present (weapon) and (shot at, attempted attack , or attack with or w/o weapon (howattack, howtryattack/threaten)))
TOC=00 and SC634a=1 and (any SC638_1-6=1 or SC638LIC=3,7)	13	Threatened Assault with Weapon	Presence and weapon present (weapon)
TOC=00 and SC634a=1 and (SC646_03=1 or SC643_05=1)	15	Sexual Assault without Injury	Presence and unwanted sexual assault or contact with force-not rape or attempted rape- (howattack, howtryattack/threaten)

Situation	TOC recode	TOC description	Recode description
TOC=00 and SC634a=1 and SC643_06=1	16	Unwanted Sexual Contact without Force	Presence and unwanted sexual contact without force (howtryattack/threaten)
TOC=00 and SC634a = 1 and (SC646_10,12-14=1 or SC646=yes 'NA' or (any SC643_02-03 = 1 and any SC643_12-13=1) or SC643_11,13-14=1 or SC643=yes 'NA')	17	Assault without Weapon without Injury	Presence and (hit by thrown object, slapped, grabbed, other, etc. or yes'NA' (howattack) or (verbal threat of any type other than rape or sexual attack, and followed, surrounded, tried to it, slap, etc.) or object thrown at person, tried to hit, slap, other, etc., or yes "na" (howtryattack/threaten)
TOC=00 and SC634a = 1 and SC643_01=1	18	Verbal Threat of Rape	Presence and verbal threat of rape (howtryattack/threaten)
TOC=00 and SC634a=1 and SC643_04 = 1	19	Verbal Threat of Sexual Assault	Presence and verbal threat of sexual assault other than rape (howtryattack/threaten)
TOC=00 SC634a = 1 and any SC643_02-03=1	20	Verbal Threat of Assault	Presence and verbal threat other than to rape or sexually assault (howtryattack/threaten)
TOC=00 and SC634a =1 and SC767a=1 and SC748_02=1	21	Completed Purse Snatching	Presence, purse stolen (whatwastaken), and cash on person (cashionperson)
TOC=00 and SC634a=1 and SC767a=1 and (SC747=1-99996 or any SC748_01,03=1)	23	Pocket Picking (Completed only)	Presence, cash on person (cashionperson), and (cash taken between 1-99996 (amountcashtaken) or cash or wallet taken (whatwastaken))
TOC=00 and SC634a=1 and sc733_02=1 and sc742a=1	22	Attempted Purse Snatching	Presence, Attempted to steal purse (attempttheftwhat), the purse was on the person (attempttheftonperson)
TOC=00 and SC625LIC=1 and SC618 = 1	31	Completed Burglary, Forcible Entry	There was evidence that the offender got in by force (evidence, offenderinside)
TOC=00 and SC625LIC=1	33	Attempted Forcible Entry	There was evidence that the offender got in or tried to get in by force (evidence)
TOC=00 and SC618=1	32	Completed Burglary, Unlawful Entry Without Force	the offender got inside (offenderinside)
TOC=00 and SC732a = 1 and (SC733_05=1 or SC733_06=1)	41	Attempted Motor Vehicle Theft	The offender attempted to take car or other motor vehicle from respondent or hhemember (attempttheft, attempttheftwhat)

Situation	TOC recode	TOC description	Recode description
TOC=00 and SC732a = 1 and any SC616 =01-02,05-07	39	Attempted Household Larceny	Attempted theft in or near the home– detached building on property, yard, apartment hall, or on street adjacent to own home (attempttheft, location_1)
TOC=00 and SC732a=1	29	Attempted Personal Larceny without Contact	Attempted theft (attempttheft)
TOC=00 and SC731a = 1 and any SC748_05-06=1 and (any SC763=2,3 or SC764=2)	40	Completed Motor Vehicle Theft	Theft of car or motor vehicle where no/don't know if permission was given to offender to use vehicle, or offender did not return car (theft, whatwastaken, permissiongiven, returncar)
TOC=00 and SC731a=1 and (SC748=1-4,7-27 or SC748=yes 'NA') and SC616 = 1-2,5-7 and sum<10	34	Completed Household Larceny (less than \$10)	Theft of other than car or motor vehicle (theft, whatwastaken) from home or near home (location_1) of less than \$10.
TOC=00 and SC731a=1 and (SC748=1-4,7-27 or SC748=yes 'NA') and SC616 = 1-2,5-7 and sum<50	35	Completed Household Larceny (\$10-\$49)	Theft of other than car or motor vehicle (theft, whatwastaken) from home or near home (location_1) of \$10-\$49
TOC=00 and SC731a=1 and (SC748=1-4,7-27 or SC748=yes 'NA') and SC616 = 1-2,5-7 and sum<250	36	Completed Household Larceny (\$50-\$249)	Theft of other than car or motor vehicle (theft, whatwastaken) from home or near home (location_1) of \$50-\$249
TOC=00 and SC731a=1 and (SC748=1-4,7-27 or SC748=yes 'NA') and SC616 = 1-2,5-7 and sum=99998	38	Completed Household Larceny (Value NA)	Theft of other than car or motor vehicle (theft, whatwastaken) from home or near home (location_1) value wasn't given.
TOC=00 and SC731a=1 and (SC748=1-4,7-27 or SC748=yes 'NA') and SC616 = 1-2,5-7	37	Completed Household Larceny (\$250+)	Theft of other than car or motor vehicle (theft, whatwastaken) from home or near home (location_1) of \$250 or greater
TOC=00 and SC731a=1 and (SC748=1-4,7-27 or SC748=yes 'NA') and sum<10	24	Completed Personal Larceny without Contact (less than \$10)	Theft of other than car or motor vehicle (theft, whatwastaken) of less than \$10.
TOC=00 and SC731a=1 and (SC748=1-4,7-27 or SC748=yes 'NA') and sum<50	25	Completed Personal Larceny without Contact (\$10-\$49)	Theft of other than car or motor vehicle (theft, whatwastaken) of \$10-\$49

Appendix F
Type of Crime Specifications

Situation	TOC recode	TOC description	Recode description
TOC=00 and SC731a=1 and (SC748=1-4,7-27 or SC748=yes 'NA') and sum<250	26	Completed Personal Larceny without Contact (\$50-\$249)	Theft of other than car or motor vehicle (theft, whatwastaken) of \$50-\$249
TOC=00 and SC731a=1 and (SC748=1-4,7-27 or SC748=yes 'NA') and sum=99998	28	Completed Personal Larceny without Contact (Value NA)	Theft of other than car or motor vehicle (theft, whatwastaken) value wasn't given.
TOC=00 and SC731a=1 and (SC748=1-4,7-27 or SC748=yes 'NA')	27	Completed Personal Larceny without Contact (\$250+)	Theft of other than car or motor vehicle (theft, whatwastaken) of \$250 or greater
TOC=00 and any SC642_04-05=1	90	Unwanted Sexual Contact	Unwanted sexual contact with or without force (whathappen)

Appendix G

Description of the Type of Crime Codes

Description of Type of Crime codes (crimes listed in order of severity)

TOC code	TOC description	Variables used to determine TOC
01	Completed Rape	Respondent is present (Q20B=1 or 2) & Attack/Injury = rape (Q29=1 or Q31=2)
02	Attempted Rape	Respondent is present (Q20B=1 or 2) & { Attack/Injury = attempted rape (Q29=2 or Q31=3) *OR* there was a Threat of rape (Q28=1) with a weapon present (Q28=7) or the R was struck or surrounded (Q28=8 thru 13) }
03	Sexual Attack with Serious Assault	Respondent is present (Q20B=1 or 2) & Attack/Injury/Threat = sexual assault (Q29=3 or Q31=3 or Q28=5,6) & { A Weapon is present (Q23 not missing) *OR* there is a serious injury (Q31=5 thru 9) *OR* there is a minor injury (Q31=10-11) with a hospitalization lasting more than a day (Q37>1) }
04	Sexual Attack with Minor Assault	Respondent is present (Q20B=1 or 2) & { Attack/Injury/Threat = sexual assault (Q29=3 or Q31=3 or Q28=5,6) with a Minor injury (Q31=10,11) *OR* there is unwanted sexual contact (Q28=5,6) with a minor threat such as being followed or surrounded (Q28=12) or there is an attempt/threat to hit, slap etc. (Q28=13) }
05	Completed Robbery with Injury from Serious Assault	Respondent is present (Q20B=1 or 2) & Something was stolen (Q88=1) & { There is a serious non-sexual injury (Q31=5-9, stab wounds thru knocked unconscious) *OR* a minor injury (Q31=10, bruises) or "other" injury (Q31=11) with a Weapon present (Q23=1-6) *OR* there is some "other" injury (Q31=11) with a 2+ day hospital stay (Q37>1) }
08	Attempted Robbery with Injury from Serious Assault	Respondent is present (Q20B=1 or 2) & There was an attempt to steal (Q89=1) & { There is a serious non-sexual injury (Q31=5-9, stab wounds thru knocked unconscious) *OR* a minor injury (Q31=10, bruises) or "other" injury (Q31=11) with a Weapon present (Q23=1-6) *OR* there is some "other" injury (Q31=11) with a 2+ day hospital stay (Q37>1) }
11	Aggravated Assault Completed with Injury	Respondent is present (Q20B=1 or 2) & { There is a serious non-sexual injury (Q31=5-9, stab wounds thru knocked unconscious) *OR* a minor injury (Q31=10, bruises) or "other" injury (Q31=11) with a Weapon present (Q23=1-6) *OR* there is some "other" injury (Q31=11) with a 2+ day hospital stay (Q37>1) }

TOC code	TOC description	Variables used to determine TOC
06	Completed Robbery with Injury from Minor Assault	Respondent is present (Q20B=1 or 2) & Something was stolen (Q88=1) & There is a minor injury (Q31=10, bruises) or "other" injury (Q31=11)
09	Attempted Robbery with Injury from Minor Assault	Respondent is present (Q20B=1 or 2) & There was an attempt to steal (Q89=1) & There is a minor injury (Q31=10, bruises) or "other" injury (Q31=11)
14	Simple Assault Completed with Injury	Respondent is present (Q20B=1 or 2) & There is a minor injury (Q31=10, bruises) or "other" injury (Q31=11)
07	Completed Robbery without Injury	Respondent is present (Q20B=1 or 2) & Something was stolen (Q88=1) & { There was a non-sexual attack (Q29=4-11, shot thru attempted attack with other weapon) *OR* a threat/attempt at a non-sexual attack (Q28=2-14, threat/attempt to kill thru "other" threat/attempt to attack)
10	Attempted Robbery without Injury	Respondent is present (Q20B=1 or 2) & There was an attempt to steal (Q89=1) & { There was a non-sexual attack (Q29=4-11, shot thru attempted attack with other weapon) *OR* a threat/attempt at a non-sexual attack (Q28=2-14, threat/attempt to kill thru "other" threat/attempt to attack)
12	Attempted Aggravated Assault with Weapon	Respondent is present (Q20B=1 or 2) & { There was a non-sexual attack (Q29=4-11, shot thru attempted attack with other weapon) *OR* a threat/attempt at a non-sexual attack (Q28=2-14, threat/attempt to kill thru "other" threat/attempt to attack) & There was a Weapon present (Q23=1-6)
13	Threatened Assault with Weapon	Respondent is present (Q20B=1 or 2) & There was a Weapon present (Q23=1-6)
15	Sexual Assault without Injury	Respondent is present (Q20B=1 or 2) & Attack/Threat = sexual assault (Q29=3 or Q28=4)

TOC code	TOC description	Variables used to determine TOC
16	Unwanted Sexual Contact without Force	Respondent is present (Q20B=1 or 2) & Threat = unwanted sexual contact without force (Q28=6)
17	Assault without Weapon without Injury	Respondent is present (Q20B=1 or 2) & { Minor attack (Q29=10,12-14) *OR* Threat/Attempt to Kill or Attack (Q28=2,3) paired with a Threat/Attempt to follow/surround or hit/slap (Q28=12,13) *OR* Threat/Attempt of a minor attack (Q28=11,13-14 which includes attempt/threat of thrown object, hit/slap/etc., and the "other/specify") }
18	Verbal Threat of Rape	Respondent is present (Q20B=1 or 2) & Threat/Attempt = Rape (Q28=1)
19	Verbal Threat of Sexual Assault	Respondent is present (Q20B=1 or 2) & Threat/Attempt = Sexual assault (Q28=4)
20	Verbal Threat of Assault	Respondent is present (Q20B=1 or 2) & Threat/Attempt to Kill or Attack (Q28=2,3)
21	Completed Purse Snatching	Respondent is present (Q20B=1 or 2) & A purse was stolen (Q96=2) which was on the victim's "person" at the time of the theft (Q102A = 1)
23	Pocket Picking (Completed only)	Respondent is present (Q20B=1 or 2) & Cash (Q96=1) or a wallet (Q96=3) was stolen which was on the victim's "person" at the time of the theft (Q102A = 1)
22	Attempted Purse Snatching	Respondent is present (Q20B=1 or 2) & Offender attempted to steal a purse (Q90=2) which was on the victim's "person" at the time of the attempt (Q102A = 1)
31	Completed Burglary, Forcible Entry	There is evidence that offender got in using force (Q15 has a 'yes' response) and the offender actually got inside (Q12=1)
33	Attempted Forcible Entry	There is evidence that offender got in using force (Q15 has a 'yes' response)
32	Completed Burglary, Unlawful Entry Without Force	The offender actually got inside (Q12=1)
41	Attempted Motor Vehicle Theft	There is an attempted theft (Q89=1) of a motor vehicle (Q90=5,6)

TOC code	TOC description	Variables used to determine TOC
39	Attempted Household Larceny	There is an attempted theft (Q89=1) from the HH primary property (Q10=1,2) or near their property (Q10=5,6,7)
29	Attempted Personal Larceny without Contact	There is an attempted theft (Q89=1)
40	Completed Motor Vehicle Theft	There is a theft (Q88=1) of a motor vehicle (Q96=5,6) and the offender did not have the right to borrow the car (Q98 ne 1) or the offender had permission to borrow but did not return the car (Q99 = 2)
34	Completed Household Larceny (less than \$10)	There is a theft (Q88=1) from the HH primary property (Q10=1,2) or near their property (Q10=5,6,7) and the cost of the stolen items sums to less than \$10
35	Completed Household Larceny (\$10-\$49)	There is a theft (Q88=1) from the HH primary property (Q10=1,2) or near their property (Q10=5,6,7) and the cost of the stolen items sums to between \$10 and \$49
36	Completed Household Larceny (\$50-\$249)	There is a theft (Q88=1) from the HH primary property (Q10=1,2) or near their property (Q10=5,6,7) and the cost of the stolen items sums to between \$50 and \$249
38	Completed Household Larceny (Value NA)	There is a theft (Q88=1) from the HH primary property (Q10=1,2) or near their property (Q10=5,6,7) and the cost of the stolen items is unknown
37	Completed Household Larceny (\$250+)	There is a theft (Q88=1) from the HH primary property (Q10=1,2) or near their property (Q10=5,6,7) and the cost of the stolen items sums to \$250 or more
24	Completed Personal Larceny without Contact (less than \$10)	There is a theft (Q88=1) and the cost of the stolen items sums to less than \$10
25	Completed Personal Larceny without Contact (\$10-\$49)	There is a theft (Q88=1) and the cost of the stolen items sums to between \$10 and \$49
26	Completed Personal Larceny without Contact (\$50-\$249)	There is a theft (Q88=1) and the cost of the stolen items sums to between \$50 and \$249
28	Completed Personal Larceny without Contact (Value NA)	There is a theft (Q88=1) and the cost of the stolen items is unknown
27	Completed Personal Larceny without Contact (\$250+)	There is a theft (Q88=1) and the cost of the stolen items sums \$250 or more

TOC code	TOC description	Variables used to determine TOC
90*	Unwanted Sexual Contact	There was unwanted sexual contact (Q27=4,5)

NOTE: Variable numbers are based on the 2006 NCVS2 (Westat CATI variables may be named differently).

*TOC code 90 is excluded from BJS NCVS published estimates of crime.

Appendix H

Census Instructions for Using the Automated NCVS Editing and Coding Blaise Instrument

PROJECT 7523008
 7523008-909-C
 SECTION 1

10-30-09

NATIONAL CRIME VICTIMIZATION SURVEY (NCVS)

SECTION 1

INSTRUCTIONS FOR USING THE AUTOMATED NCVS
 EDITING AND CODING BLAISE INSTRUMENT

TABLE OF CONTENTS

<u>Section</u>	<u>Page</u>
A. INTRODUCTION.....	2
B. MATERIALS NEEDED	3
C. GENERAL INFORMATION	3
D. GENERAL EDIT INSTRUCTIONS.....	4
E. HOW TO RECODE THE ENTRY IN RACE-SPECIFY	6
F. HOW TO RECLASSIFY AN INCIDENT.....	8
G. SCREENS IN THE EDITING AND CODING INSTRUMENT.....	9
H. HOW TO EDIT INCIDENTS FLAGGED FOR DELETION IN PRODUCTION.....	17
I. HOW TO REFER INCIDENTS.....	20
J. HOW TO PROCESS DUPLICATES.....	22
K. HOW TO DELETE INCIDENTS.....	24
L. HOW TO HANDLE INCIDENTS FLAGGED FOR DELETION IN E/C.....	25
M. EXITING A CASE.....	27

ATTACHMENTS

- A List of Crime Reclassification Codes and List of Referral Reason Codes
- B Race Instructions for Control Card screen **RACE**
- C Weapons Instructions For Crime Incident Report screen **WEAPON**

NATIONAL CRIME VICTIMIZATION SURVEY (NCVS)

SECTION 1

INSTRUCTIONS FOR USING THE AUTOMATED NCVS
EDITING AND CODING BLAISE INSTRUMENT

A. INTRODUCTION

- 1 The Editing and Coding (E/C) instrument is an automated system that replaces the paper and pencil method of correcting NCVS protocols. However, the same general rules for correcting paper protocols apply to editing/coding cases with the E/C instrument.

This procedure is divided into two sections. Section 1 provides general information on the E/C process and Section 2 provides detailed E/C instructions.

- 2 The Automated System performs the following functions:
 - a The editing and coding of the form in one pass.
 - b Allows adding, changing, or deleting of data as necessary.
 - c Automatically skips to the correct question after editing the data and blanks out all entries that are no longer relevant.
 - d Electronically refers cases to Headquarters (HQ) for resolution.
- 3 This section of the procedure describes the basic functions of the Editing/Coding instrument.
 - a Accessing the Editing/Coding instrument.
 - b Retrieving an NCVS CAPI case to be edited/coded.
 - c Moving through the Editing/Coding instrument.
 - d Editing and coding of duplicate incidents.
 - e How to refer an incident.
 - f How to delete and undelete incidents.

- g Exiting the instrument at the middle of coding an “Incident” and exiting at the end of a “Case”.

B. MATERIALS NEEDED

- 1 Access to the E/C instrument for NCVS CAPI cases.
- 2 A copy of the NCVS WebCATI Coding Navigation Manual, Procedure Number 7523084-603-C.
- 3 A copy of the “Instructions For Using the Automated NCVS Editing and Coding Blaise Instrument,” Procedure Number 7523-~~XXX~~.
- 4 List of Crime Reclassification Codes and List of Referral Reasons (Attachment A)
- 5 Instructions for Editing Control Card screen **RACE** (Attachment B)
- 6 Instructions for Editing Crime Incident Report screen **WEAPON** (Attachment C)
- 7 Copy of the NCVS-2 Items Booklet
- 8 Copy of the latest NCVS-550 CAPI Manual for Field Representatives
- 9 Copy of the list of cases needing to be reviewed (printed from WebCATI)
- 10 Copy of the list that details the reason(s) why a case is eligible for E/C (included in the e-mail from HQ, which initiates the start of the NPC’s review of that month’s cases)

C. GENERAL INFORMATION

- 1 Approximately 6,400 cases a month are interviewed using the CAPI Blaise Instrument. Of those, approximately 800 cases per month will require editing and coding. The actual number of cases requiring verification in the NPC may vary over time; some months the NPC may have more than or less than 800 cases to review.
- 2 Editing and coding files are generated for each CAPI case with: incident reports; entries in screen(s) **SQCALLPOLICECRIME**; **SQNOCALLPOLICECRIME**; or write-in entries in the Control Card screen **RACE**.
- 3 All editing and coding is done electronically.
- 4 The NCVS CAPI cases are transmitted to Jeffersonville for clerical editing and coding on a monthly basis.

- 5 Editing and coding begins approximately on the 4th of each month and closes out approximately on the 26th of the same month.
- 6 “F7 Item Level Notes” Page - Any notes that the Field Representative (FR) interviewer makes during the interview are displayed as “F7 Item Level Notes.” These notes are linked to the question where the FR invoked the “F7 Notes” pop-up window. A screen that contains a paper clip symbol next to the answer category will have an “F7 Item Level Note.” To view these notes depress the “Shift” and “F7” keys simultaneously.
- 7 “CAPI Notes” - Any notes that the FR makes after the interview, before exiting a case. This is the first screen you will see once you enter a case in the WebCATI system. These are notes an FR enters to further clarify something from the interview or to make a note to assist them with future interviews with the household. This is also where you enter notes after editing a case and before exiting the case. Notice that these “CAPI Notes” contain notes from the FR since the case was first in sample, so some notes will not pertain to the month you are editing; they are from a previous enumeration period. The newest notes are displayed at the bottom of the screen, which is the default view when you first view the “CAPI Notes.”

D. GENERAL EDIT INSTRUCTIONS

- 1 Refer to Procedure Number 7523084-603-C for instructions on accessing and exiting the WebCATI system and on retrieving cases to review and edit.
- 2 Navigate through the instrument by hitting “Enter” to go to the next question. You can also use the arrow keys to go forward or backwards in the instrument.
- 3 Change an existing value to a new value by either, deleting the old value and typing in the new value, or by simply typing the new value over the existing value and hitting “Enter.”
- 4 In the “Mark All That Apply” screens, separate multiple precodes with commas or separate the entries with spaces.
- 5 Precodes can also be selected or deselected by using the mouse to click on the radio or square button to the left of the precode.
- 6 If there is a write-in “Other-Specify” entry, read the description displayed in the specify line and try to **reclassify** the entry into one of the existing precoded categories. If the write-in entry is in a “Mark all that apply” screen, be sure to deselect the precode containing the “Other-specify” in addition to selecting the new precode.

- 7 An FR may enter a “Blind” “Don’t Know” when there is not a “Don’t Know” precode. This is entered by simultaneously hitting the “Control” + “D” keys. It will appear as a yellow question mark in the E/C instrument.
- 8 An FR may enter a “Blind” “Refusal” when a respondent refuses to answer a question. This is entered by simultaneously hitting the “Control” + “R” keys. It will appear as a blue exclamation mark in the E/C instrument.
- 9 Do not edit crimes for household members who are Noninterviews. They will have a status of “DONE-Nonint” under the “STA” column in screen **SCREEN1**. Only edit crime reports for household members who have a status of “DONE-Int.”
- 10 Edit only the items that are specified to be edited.
- 11 Duplicate reporting of incidents - If there is any indication that more than one household member is reporting the same incident, or the FR has flagged the case as a duplicate, refer the incidents to HQ. (See Section 1, Subsection J.)
- 12 Do not refer the following types of incidents unless you are unable to resolve them using the specific instructions given later in this procedure.
 - a Arson (The malicious act of burning a respondent's home or any building on the respondent's property.)
 - b Fraud only (For example: Embezzlement, con games, extortion, forged checks, illegal use of credit cards.)
 - c Peeping Toms/Exhibitionism only.
 - d Telephone threats, threatening letters, e-mail, or phone texts only.
 - e Cases which were deleted because the reference period is out-of-scope.
- 13 Utilize the “CAPI Notes” to fill in any missing data. Skip patterns are edited by the computer. However, if a skip pattern is changed during editing, the screens that are missing data (in the new skip pattern) must be filled clerically, when applicable, based on the **SUMMARY** screen and Notes section.
- 14 Enter any notes or questions you have about a case in the “CAPI Notes” before exiting a case.
- 15 Follow the detailed E/C instructions as outlined in Section 2 of this procedure.

PROJECT 7523008
7523008-909-C
SECTION 1

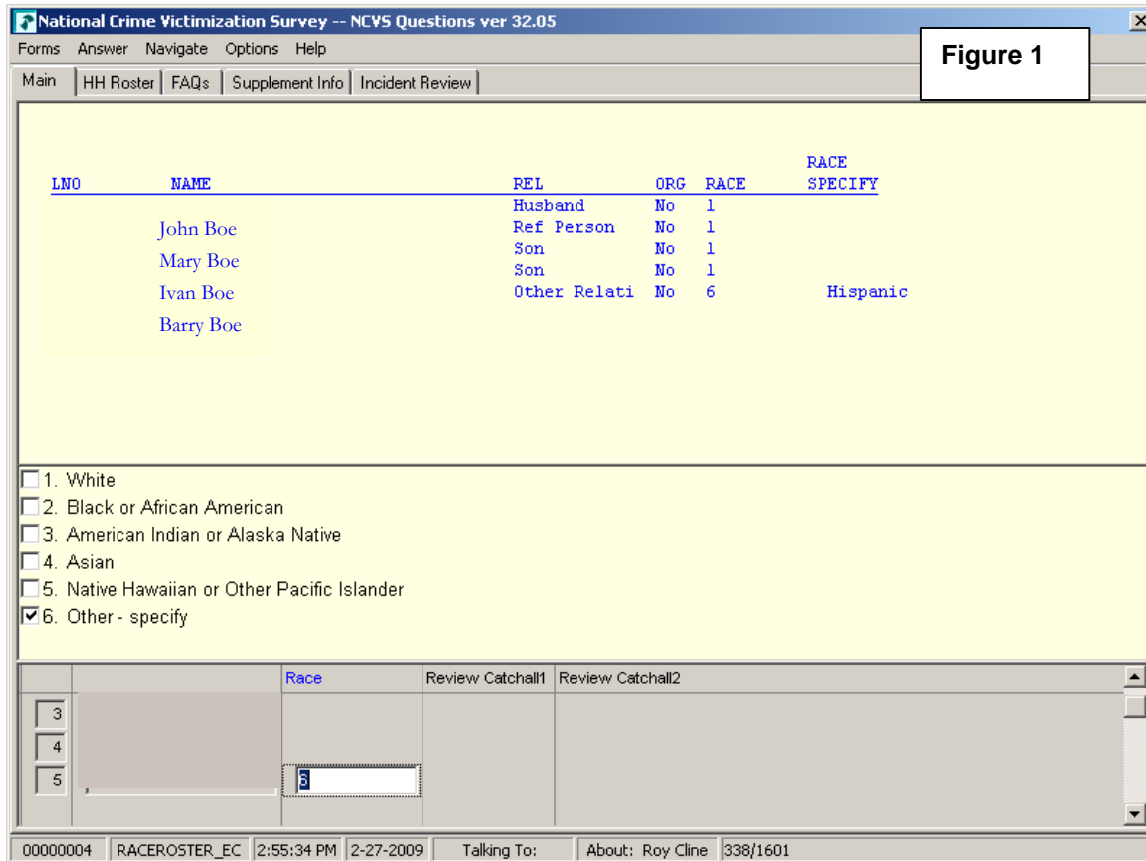
10-30-09

- 16 Contact Kathryn Cheza, in Crime Surveys Branch (CSB), Demographic Surveys Division (DSD), at HQ by e-mail when you have completed reviewing/verifying all of the CAPI cases.

E. HOW TO RECODE THE ENTRY IN RACE-SPECIFY

- 1 If precode (6), “Other-specify” is marked for Race, the **RACEROSTER_EC** screen will appear. It follows the **SCREEN1** screen OR the “Catchall” question(s) screen(s) (if there are any) and precedes the incident report.
- 2 The **RACEROSTER_EC** screen displays: the line number (“LNO”), the respondent’s name (“NAME”), their relationship to the reference person (“REL”), their Hispanic origin (“ORG”), the selected race precode (“RACE”), and the “Other-specify” race (“RACE SPECIFY”) under the headers in parenthesis. This is shown in the screen shot illustrated in Figure 1.
- 3 At the request of our sponsor, the Bureau of Justice Statistics (BJS), all write-in entries of race must be reviewed, when “Other-specify”, Precode (6) is selected, in order to determine if the “other race” can be classified into one of the five precoded race categories. To accommodate this request, the E/C instrument will display the screen **RACEROSTER_EC** when Precode (6), “Other-specify” was selected during the interview in the **RACE** screen. It is this information you will review and attempt to edit into one of the five precoded race categories.

- 4 Attempt to reclassify the “Other-specify” race entries, using the instructions found in Attachment B. In Figure 1 the “Other-specify” entry of “Hispanic” should be reclassified to Precode (1), “White.”



- 5 The instrument cycles through the Race and “Catchall” screens for each household member before going to the incident report(s). For example, if LN1 reports an “Other-specify” race entry, the instrument will show the race entry first and then progress to any “Catchall” questions for LN1. Next the instrument will go to any “Other-specify” race entries for LN2 and then to any “Catchall” questions for LN2 and continue in this order for all respondents in the household.

Therefore, after editing the race code for a respondent the instrument will progress through any other “Other-specify” race entries and “Catchall” questions for the household in the following order:

- a To **CATCHALL1_EC** or **CATCHALL2_EC** if this respondent also reported an incident at one or both of the crime screener “Catchall” screens (See Section 1, Subsection F for instructions on how to reclassify an incident reported in the crime screener “Catchall” screens.)

OR

- b To **RACEROSTER_EC** if the next person on the roster reported an “Other-specify” race
- OR**
- c To one of the “Catchall” screens (**CATCHALL1_EC** or **CATCHALL2_EC**) if the next person on the roster reported an incident at one or both of the crime screener “Catchall” screens, but did not report an “Other-specify” race.
- OTHERWISE,**
- d The instrument will progress to the **INCROSTER_EC** screen after you have finished reviewing/coding all of the **RACEROSTER_EC**, **CATCHCALL1_EC** and **CATCHALL2_EC** screens.

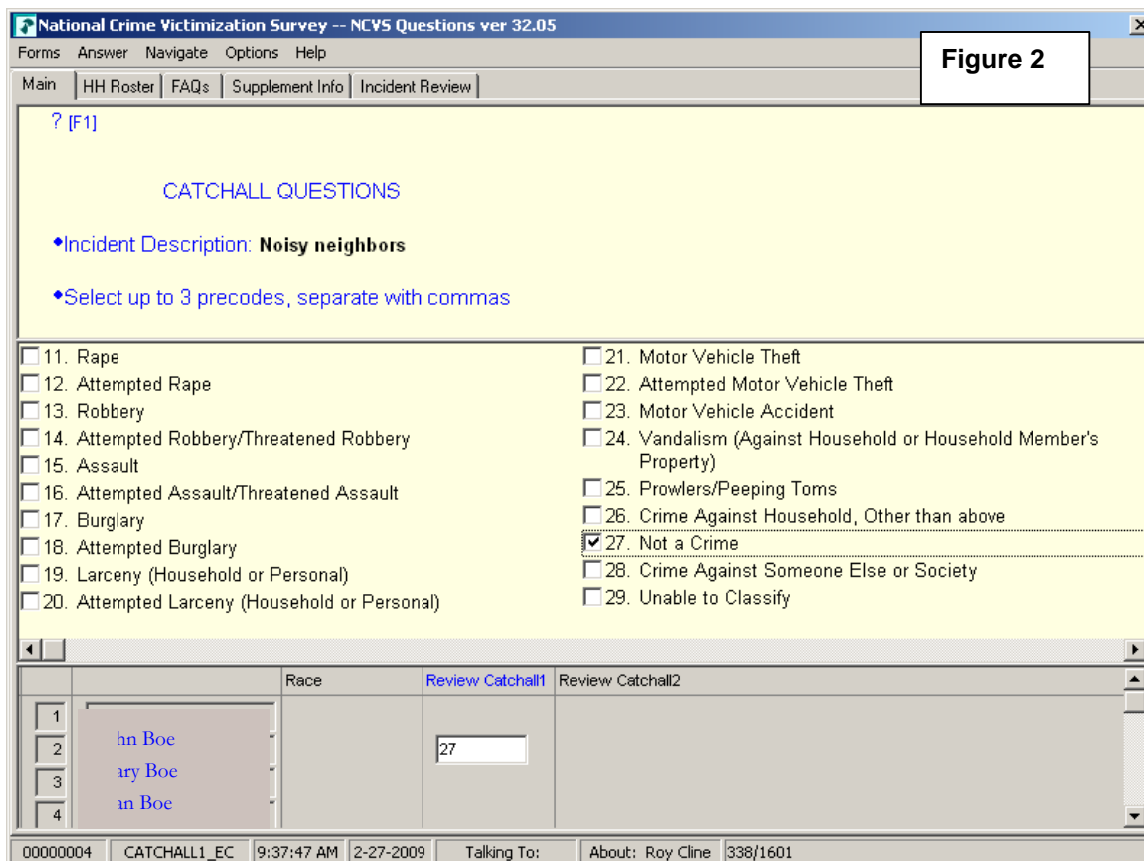
F. HOW TO RECLASSIFY AN INCIDENT

- 1 If the respondent answered “Yes” to Item **SQCALLPOLICECRIME** and/or Item **SQNOCALLPOLICECRIME**, these “Catchall” question screens will automatically come up after **SCREEN1**, before any incidents. There are two corresponding “Catchall” screens, **CATCHALL1_EC** and **CATCHALL2_EC**.

PROJECT 7523008
 7523008-909-C
 SECTION 1

10-30-09

- 2 In Figure 2 the Incident Description of “Noisy neighbors” has been correctly classified as “Not a Crime”, Precode (27).



- 3 Use the “F1” key to access the Help Screen for coding the “Catchall” screens.
- 4 Identify up to three crime classification codes that best describe what happened, based on the incident description.
- 5 After classifying the incident, continue coding the remaining “Catchall” and/or Race screens for the household.
- 6 The instrument cycles through the Race and “Catchall” screens for each household member before going to the incident report(s). Refer to Section 1, Subsection E5 for more information on how the instrument cycles through these three screens.

G. SCREENS IN THE EDITING AND CODING INSTRUMENT

Appendix H

Census Instructions for Using The Automated NCVS Editing And Coding Blaise Instrument

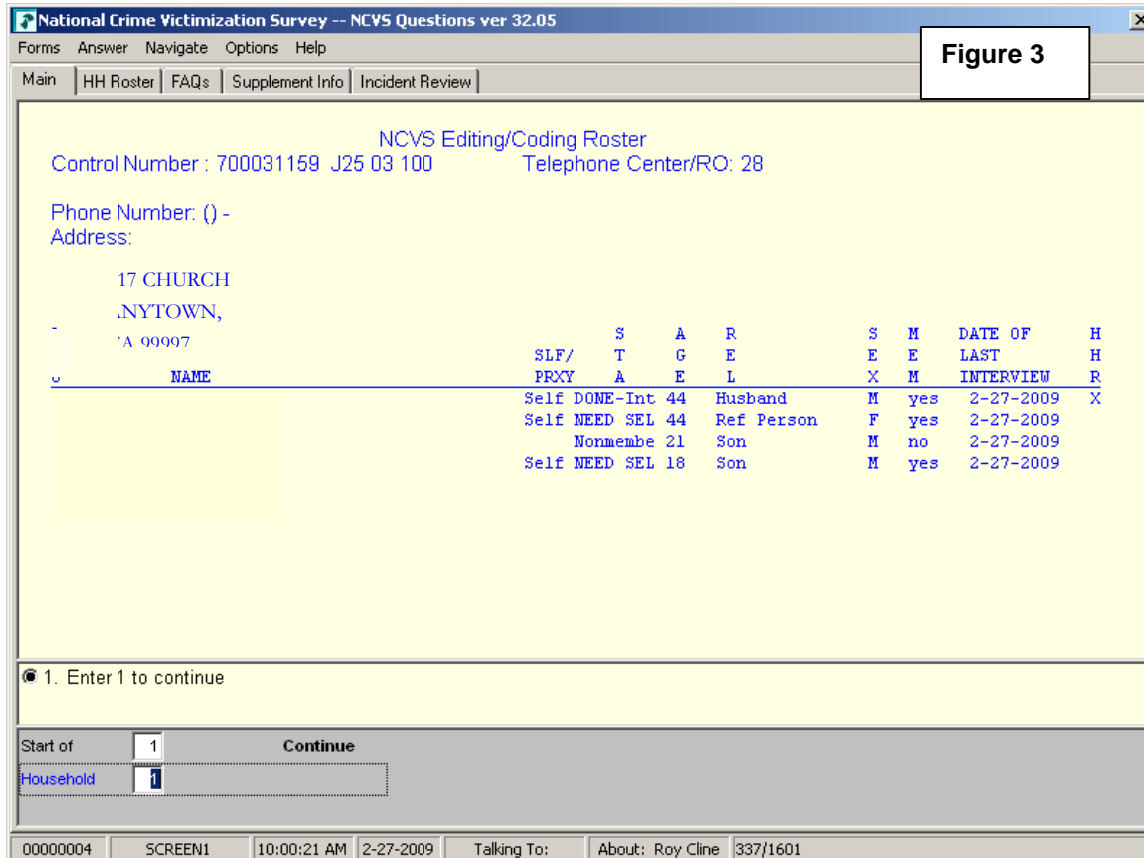
- 1 The **START_EC** is the introductory screen in the E/C instrument. Please refer to the NCVS WebCATI Coding Navigation Manual, Procedure Number 7523084-603-C for a screen shot example. You will enter “1” at this screen to continue on in the instrument.

- 2 **SCREEN1** is the next screen in the E/C instrument. As shown in Figure 3, this screen lists all of the people on the household roster and their interview and household status. This includes:
- a "LNO" - The line number of each person on the roster.
 - b "NAME" - Name of each person on the roster by line number.
 - c "SLF/PRXY" - Indicates whether the respondent's interview was completed as a "Self" interview or "Proxy" interview.
 - d "STA" - Status of their interview, whether an interview, noninterview or not eligible because the person is under 12 or a nonmember.
 - e "AGE" - Age of each line number.
 - f "REL" - Relationship of each line number to the reference person.
 - g "SEX" - Gender of each line number.
 - h "MEM" - Whether or not each line number is a member of the household.
 - i "DATE OF LAST INTERVIEW" - The last time each line number was interviewed (current interview or previous interview date, when noninterview this enumeration).

PROJECT 7523008
 7523008-909-C
 SECTION 1

10-30-09

j “HHR” - The Household Respondent is indicated by an “X”.



- 3 The **INCROSTER_EC** screen comes next and lists all of the incidents reported for the household. This screen appears after the **SCREEN1** screen when no one in the household has an “Other-specify” race nor either of the “Catchall” screens. Otherwise, **INCROSTER_EC** appears after coding the **RACEROSTER_EC**, the **CATCHALL1_EC** and/or the **CATCHALL2_EC** screens. It contains the following information:
 - a The number of incidents for the household are listed sequentially in the first column on the left. This is also the number you will enter to access an incident.
 - b The “LNO” column is the line number of the respondent who reported the incident.
 - c The “INC” column is the incident number. The incidents are numbered sequentially at the **person level**. That means that the first incident report for each line number will be “1” in this column and the second incident report for each line number will be “2”, etc. This is illustrated in Figure 4.
 - d The “STA” column displays the status of the incident.

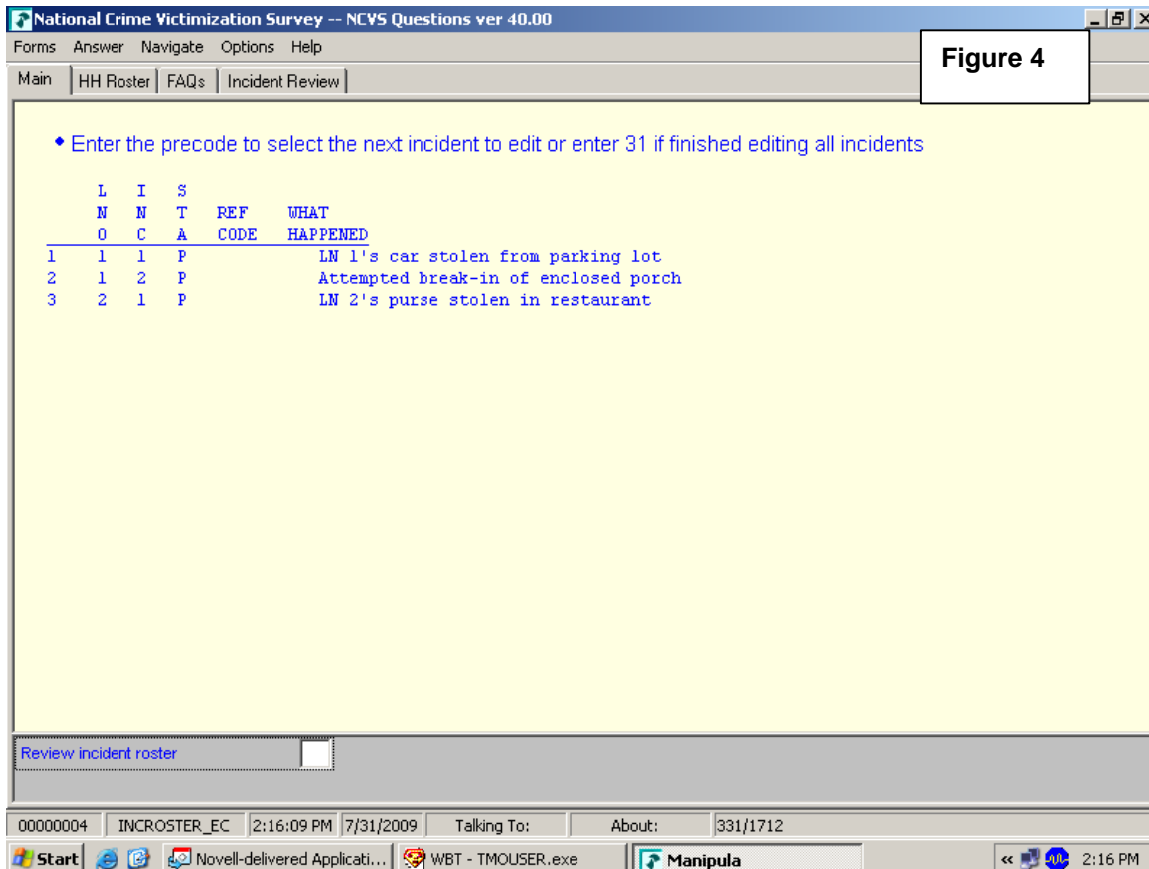
PROJECT 7523008
 7523008-909-C
 SECTION 1

10-30-09

There are four possible “Status” codes, which are automatically updated in the instrument when an incident is edited:

- (1) “**P**” means the incident is **Pending** and needs to be reviewed/edited.
 - (2) “**R**” means the incident has been **Referred** to HQ.
 - (3) “**D**” means the incident has been **Deleted**.
 - (4) “**C**” means the incident has been **Completed**. It has been reviewed and verified without any referrals.
- e The “REF CODE” column displays the Referral Code(s). The codes in this column describe why the incident was referred to HQ. This column is automatically updated in the instrument when an incident is referred.
- f The “WHAT HAPPENED” column gives a brief description of each incident.

In Figure 4 there are three incidents reported for the household. Line 1 reported incidents 1 and 2; Line 2 reported incident 3. Incidents 1, 2 and 3 are pending review.



PROJECT 7523008
7523008-909-C
SECTION 1

10-30-09

- 4 To select an incident to review/edit, enter the number from the far left column that corresponds with the incident you want to review.
- 5 After you have completed reviewing/editing an incident, the instrument will return to this **INCROSTER_EC** screen.
- 6 If you have completed reviewing/editing all of the incidents for a case (or after coding all Race and “Catchall” screens in a case without incidents), enter “31” to exit the case. The instrument will proceed to the **WHATSTAGE_EC** screen, which is covered in Section 1, Subsection G7 below.
- 7 The **WHATSTAGE_EC** screen appears when “31” is entered at the **INCROSTER_EC** screen to exit the case. This screen displays which stage of review the case is currently in. There are three stages of review that a case goes through during the editing and coding: “Initial,” “Verification,” and “Final.” The first two stages are done at the NPC, while the “Final” Stage of review is done at HQ. Only cases in which a referral reason has been entered will get to the third stage. Otherwise, a case will close-out after the “Verification” Stage.

In Figure 5 below, the case is currently in the “Initial” Review stage of E/C.

Figure 5

National Crime Victimization Survey -- NCVS Questions ver 39.03

Forms Answer Navigate Options Help

Main | HH Roster | FAQs | Incident Review

- ◆ Current status of the case: This case is currently in the Initial Review
- ◆ Internal Status Code: 055

1. Yes, I am done reviewing this case in the Initial Review

2. No, I am not done reviewing this case in the Initial Review

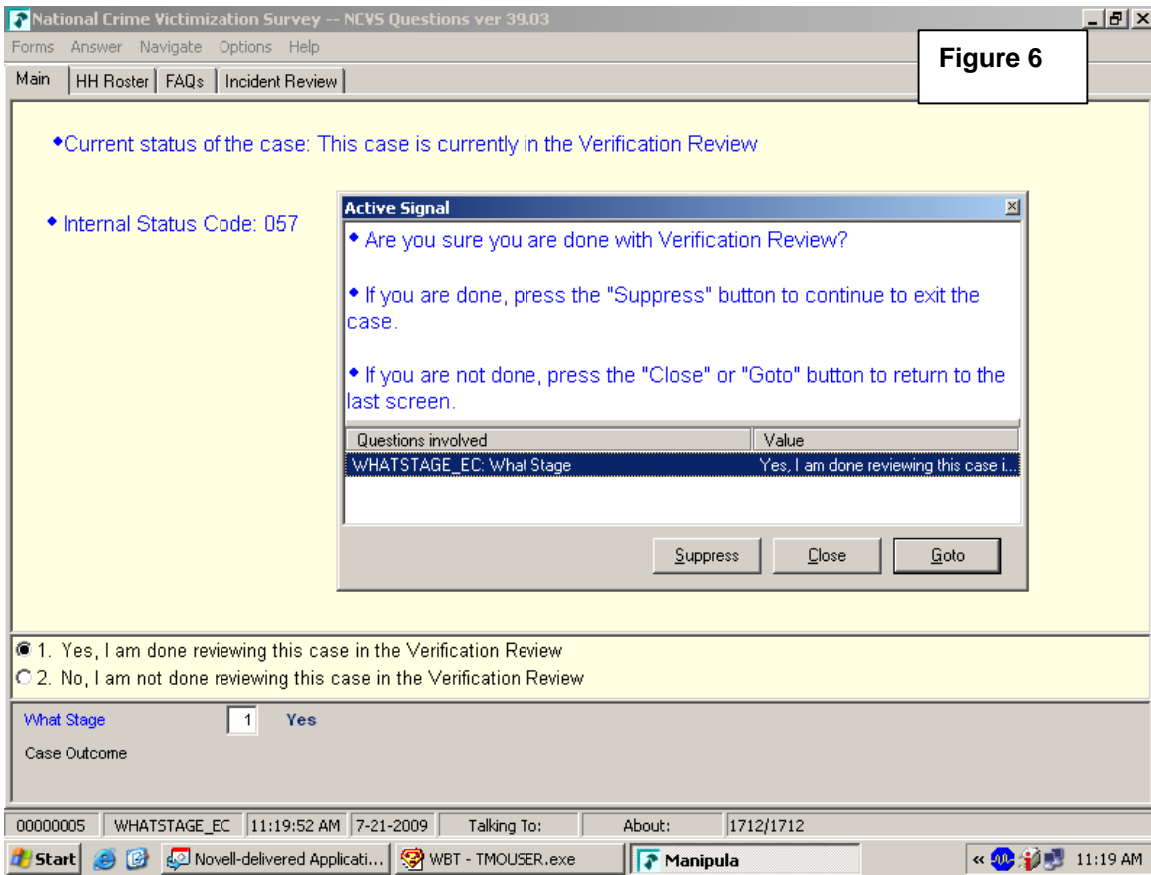
What Stage

Case Outcome

- a The WHATSTAGE_EC screen asks if you are done completing this stage of the review.
 - (1) If you answer Precode (1), “Yes, done reviewing this case,” you will be directed to the pop-up window **AREYOUSURE_CK** (Figure 6). This screen is covered in Section 1, Subsection G7b below.
 - (2) If you answer Precode (2), “Not done reviewing this case,” you will exit the case. The case will remain in the current stage of review.

- b The **AREYOUSURE_CK** pop-up window will appear next if you answered “Yes, done with reviewing this case” in screen **WHATSTAGE_EC**, as explained below.
 - (1) The **AREYOUSURE_CK** screen asks “*Are you sure you are done with (Initial/ Verification/ Final) Review?*” The instrument will automatically fill in the name of the stage you are currently in, in the pop-up window.
 - (2) As Figure 6 illustrates, if you are done press the “Suppress” button to continue exiting the case. If you are not done, press the “Close” or “Goto” button to return to the **WHATSTAGE_EC** screen and continue your review.

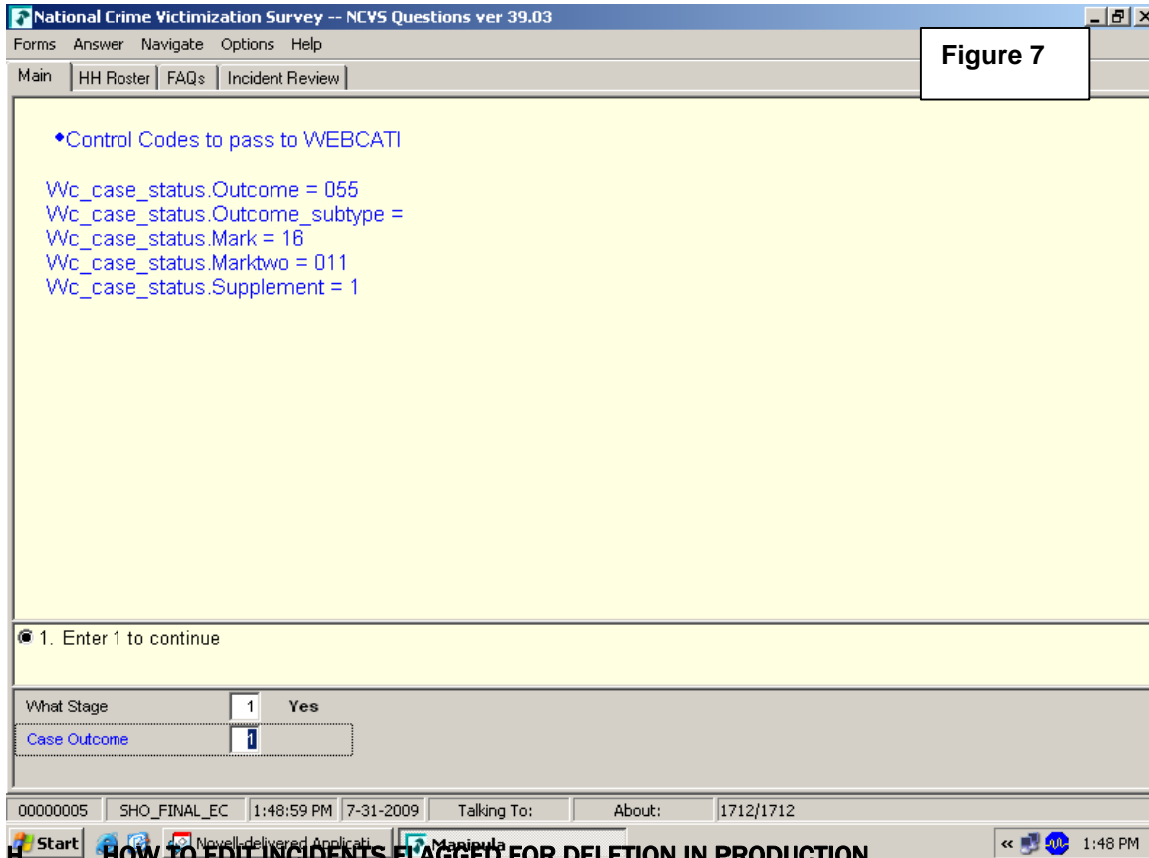
- (3) If you press the “Suppress” button the instrument will update the current stage of review since you said you were done. Therefore, the “Suppress” button will advance the status of the case from “Initial” to “Verification” or from “Verification” to “Final” when referral codes have been entered in either the “Initial” or “Verification” Stages. Otherwise, if no referral codes were entered the status of the case will advance from “Verification” to “Completed”.



PROJECT 7523008
7523008-909-C
SECTION 1

10-30-09

- 8 The **SHO_FINAL** screen is the last screen you will see before exiting the E/C instrument. From this screen you will return to the WebCATI system to enter your notes in the “CAPI Notes” screen before exiting the case. As illustrated in Figure 7, enter “1” to continue from this screen. The **SHO_FINAL** screen also shows the final control codes that are passed onto WebCATI for the case.



H. HOW TO EDIT INCIDENTS FLAGGED FOR DELETION IN PRODUCTION

- 1 If an incident has been flagged for deletion by the FR, the incident will have a status of “D” in the screen **INCROSTER_EC** when the case is first accessed. The screen **WHYDELETEDINPROD_EC** will appear after entering an incident number to review in the **INCROSTER_EC** screen, in which an FR had flagged the incident for deletion.

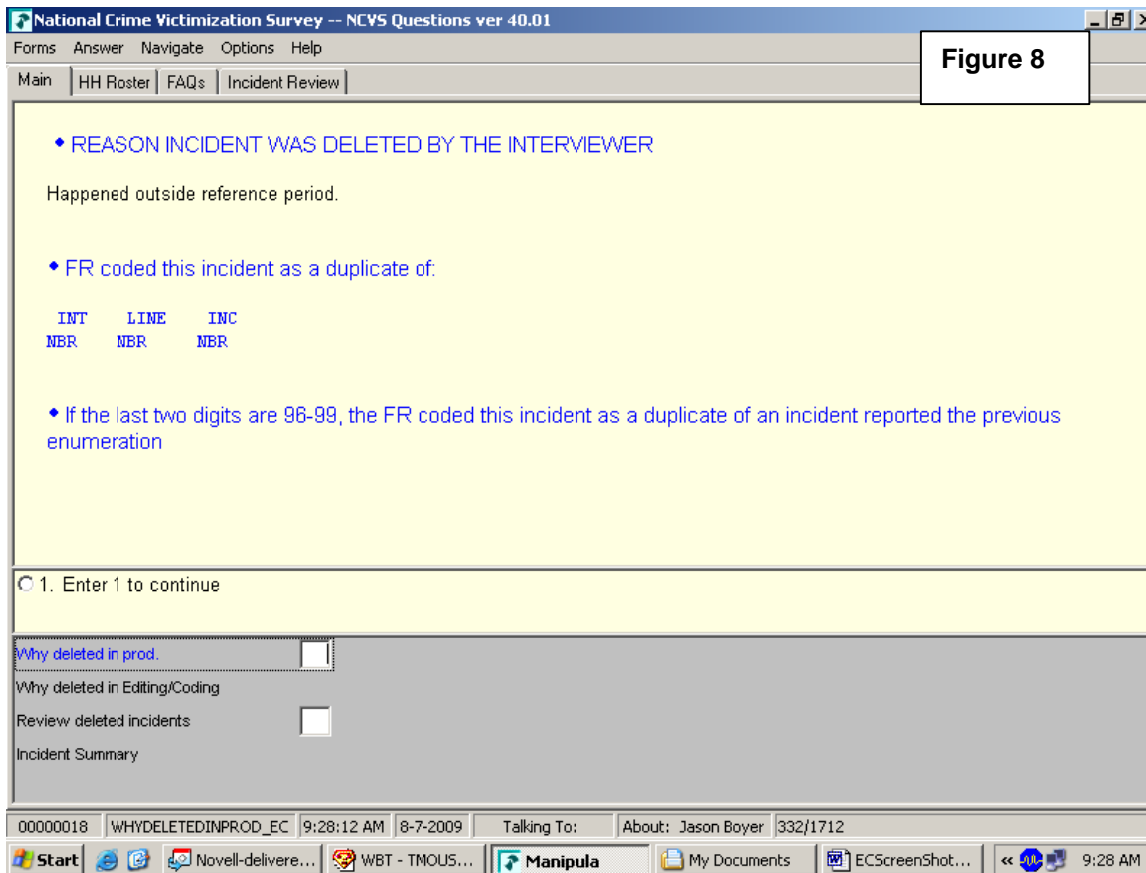
Incidents may be flagged for deletion by the FR in production for the following reasons:

PROJECT 7523008
 7523008-909-C
 SECTION 1

10-30-09

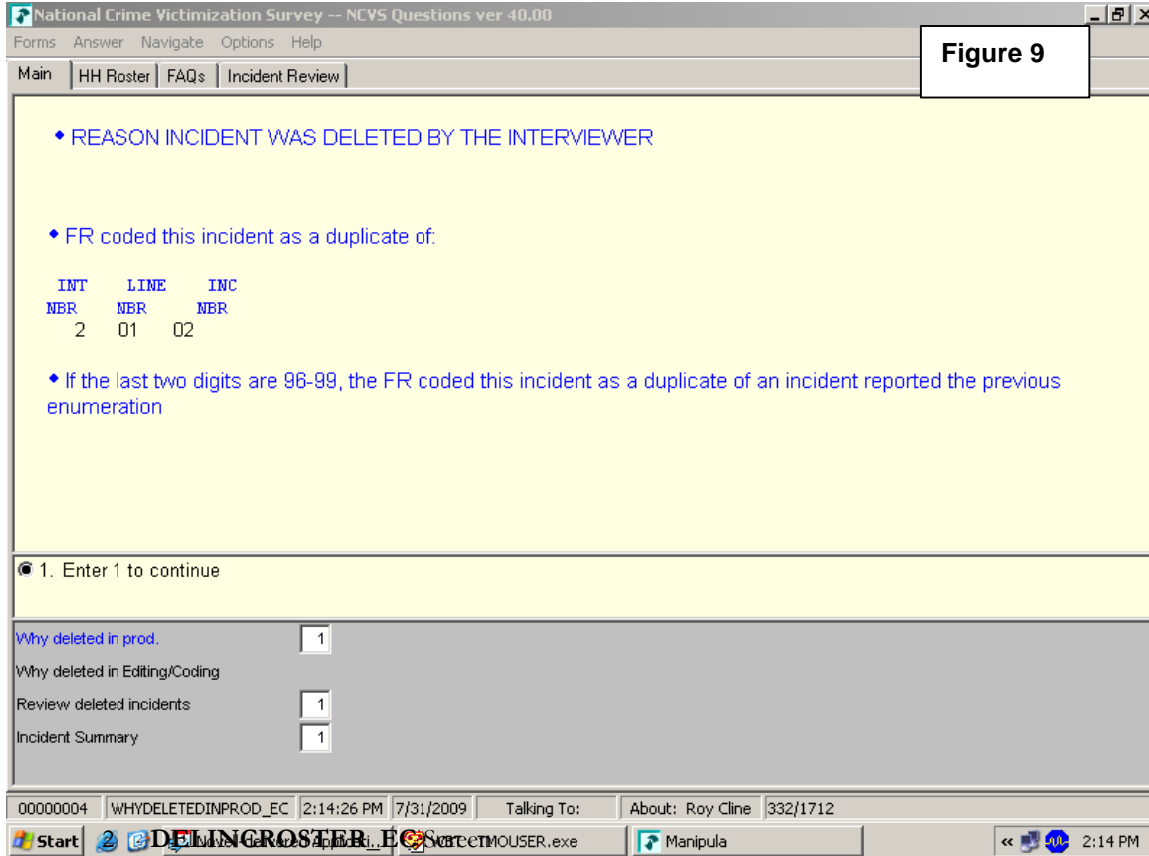
- a “Out of Scope” - The incident happened outside of the current reference period. If the incident is deleted because it is “Out of Scope,” a description of the reason it was deleted will be displayed, such as “Happened outside of the reference period” (See Figure 8). If an incident was deleted by the FR, because the incident happened outside the reference period, you can delete the incident once you reach the **INCIDENTDATE** screen. For instructions on deleting incidents, see Section 1, Subsection K.

- b “Duplicate” - The incident is a duplicate of another incident reported in the current enumeration period or it is a duplicate of an incident reported in a prior enumeration period. If the incident is flagged as a “Duplicate”, the two digits in the “INC NBR” column will be “96-99”. In the screen shot shown in Figure 9, the incident is a duplicate of an incident reported in the current enumeration, because the incident number is not “96-99”. Instead, it is “02,” meaning it was coded as a duplicate of the second incident reported during the current enumeration. Note that the interview number (“INT NBR”) of “2” and Line Number of the person reporting the other incident (“01”) are also displayed. For more information on handling duplicates see Section 1, Subsection J.

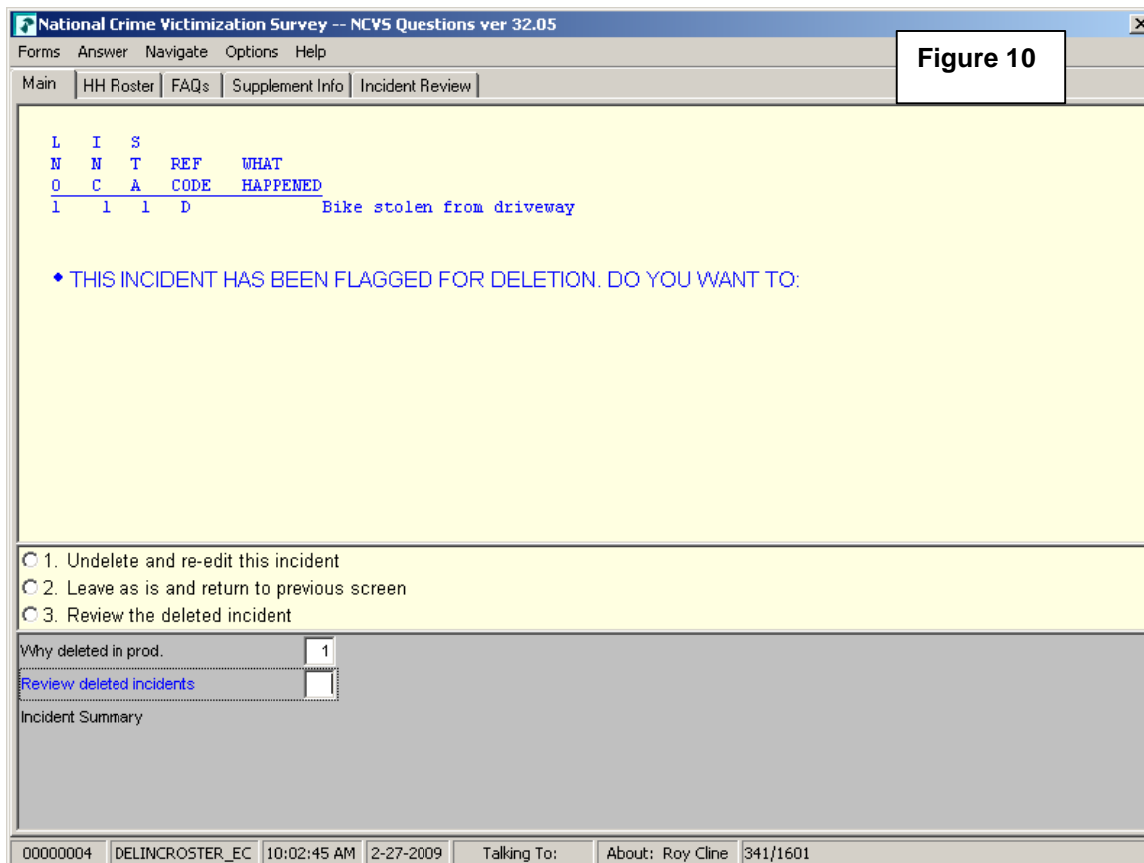


PROJECT 7523008
 7523008-909-C
 SECTION 1

10-30-09



- a If a case has been flagged for deletion by the FR the incident was either coded as “happening outside the reference period” or as a “duplicate,” as discussed in Section 1, Subsection H1 above.
- b The screen **DELINCROSTER_EC** will appear after reviewing the reason why an incident was flagged for deletion at the **WHYDELETEDINPROD_EC** screen.
- c The incident being flagged for deletion will have a Status Code of “D” in the “STA” column.
- d Below (Figure 10) is an example of an incident that was flagged for deletion as displayed at the **DELINCROSTER_EC** screen. This screen is on path after the **WHYDELETEDINPROD_EC** screen (Figures 8 and 9) or the screen **WHYDELETEDINEC_EC** (Figure 14).



- e Incidents that have been deleted in error may be undeleted after re-accessing the **DELINCROSTER_EC** screen. To undelete the incident, enter Precode (1). If you choose to undelete an incident, the instrument will automatically advance to the **SUMMARY_EC** screen, in order to re-edit the entire incident again.

Note: You currently cannot undelete an incident deleted in E/C using this screen. These incidents can only be undeleted by restarting the case.

- f To leave the incident deleted, enter Precode (2). The instrument automatically returns to the **INCROSTER_EC** screen. At this point, continue coding incidents or exit the case.
- g To leave the incident deleted and review the data, enter the Precode (3). The instrument will automatically advance to the **SUMMARY_EC** screen, in order to review or re-edit the entire incident again.

I. HOW TO REFER INCIDENTS

- 1 Refer an incident to HQ at any time while editing an incident.

PROJECT 7523008
 7523008-909-C
 SECTION 1

10-30-09

- 2 To refer an incident to HQ, simultaneously hit the “Control” and “W” keys from within the incident report. Please note that it does not matter what screen you are on, as long as you are **in** the incident report.
- 3 The following pop-up screen will appear, listing all of the possible referral reasons.

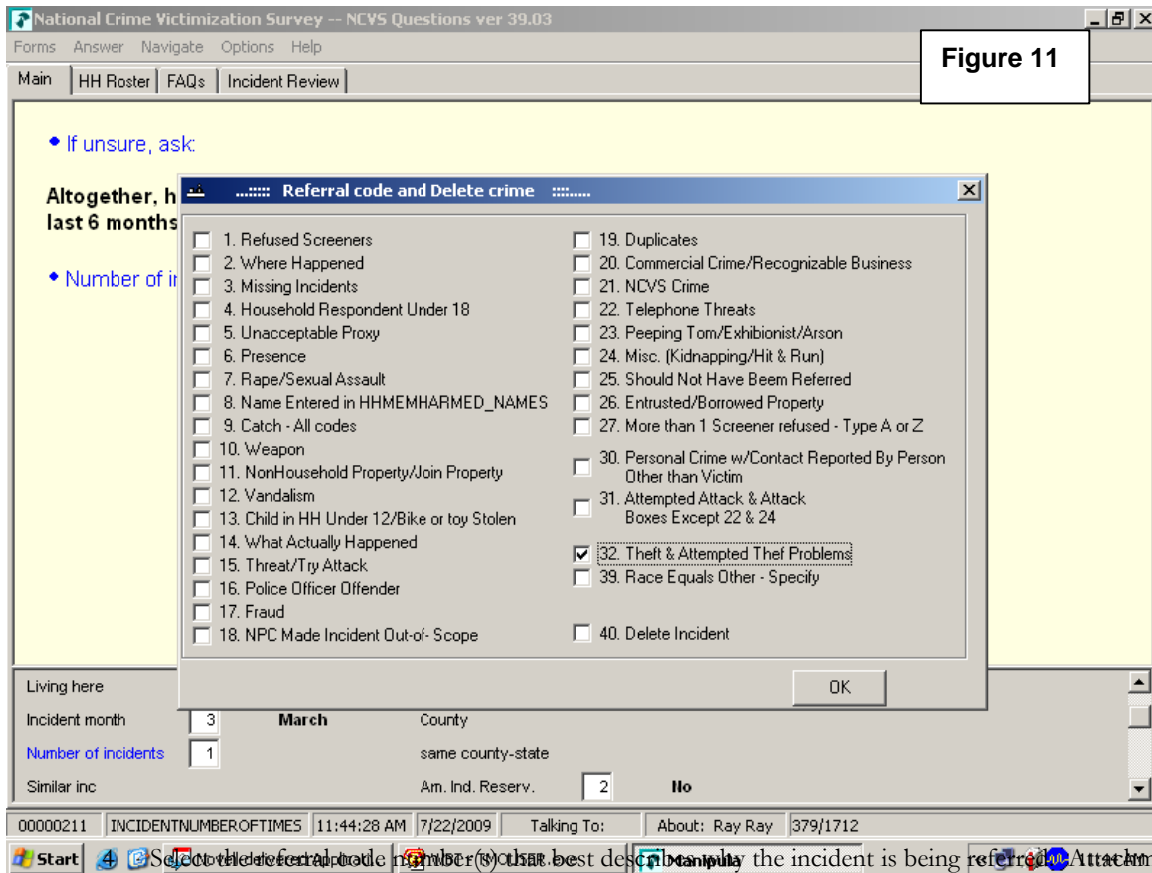


Figure 11

- 4 Select the referral code number(s) that best describe the incident is being referred. Attachment A also contains this list of referral codes. In Figure 11 the incident is being referred for Referral Reason (32), “Theft & Attempted Theft Problems.”
- 5 Up to six referral reasons may be marked per incident. If there are more than six entered, a pop-up error message will appear, saying to limit the number of codes to six or less.
- 6 After entering in the referral reason(s), click on the “OK” button on the pop-up screen. The instrument automatically returns to the screen in the incident report where you invoked the referral code pop-up window.
- 7 Continue to edit the rest of the incident report for other possible reasons to refer the incident as well as to edit items needing to be recoded. To refer the incident for another reason(s), repeat steps 2 through 6.

PROJECT 7523008
7523008-909-C
SECTION 1

10-30-09

- 8 To delete an incident, simultaneously hit the “Control” and “W” keys and select Referral Code (40), “Delete Incident” from the pop-up screen. Then enter the reason the incident is being deleted. See Section 1, Subsection K for more information about deleting incidents.

Note: If an incident is deleted in error, the case will have to be restarted in order to undelete the incident.

J. HOW TO PROCESS DUPLICATES

- 1 Duplicate incidents, which were flagged as duplicates by the FR, will have a Status Code of “D” in the “STA” column of the **INCROSTER_EC** screen.
- 2 Refer to Section 1 Subsection H1a(2) for more information on identifying incidents coded as duplicates by the FR.
- 3 Any incidents flagged as a duplicate in production by the FR are always referred to HQ.

PROJECT 7523008
 7523008-909-C
 SECTION 1

10-30-09

- 4 Review the descriptions for each incident under the "WHAT HAPPENED" column in the **INCROSTER_EC** to identify possible duplicates not already flagged by the FR in production, as shown in the screen shot below (Figure 12). Note that in this example, there are two incidents of a bike theft reported by LN 2.

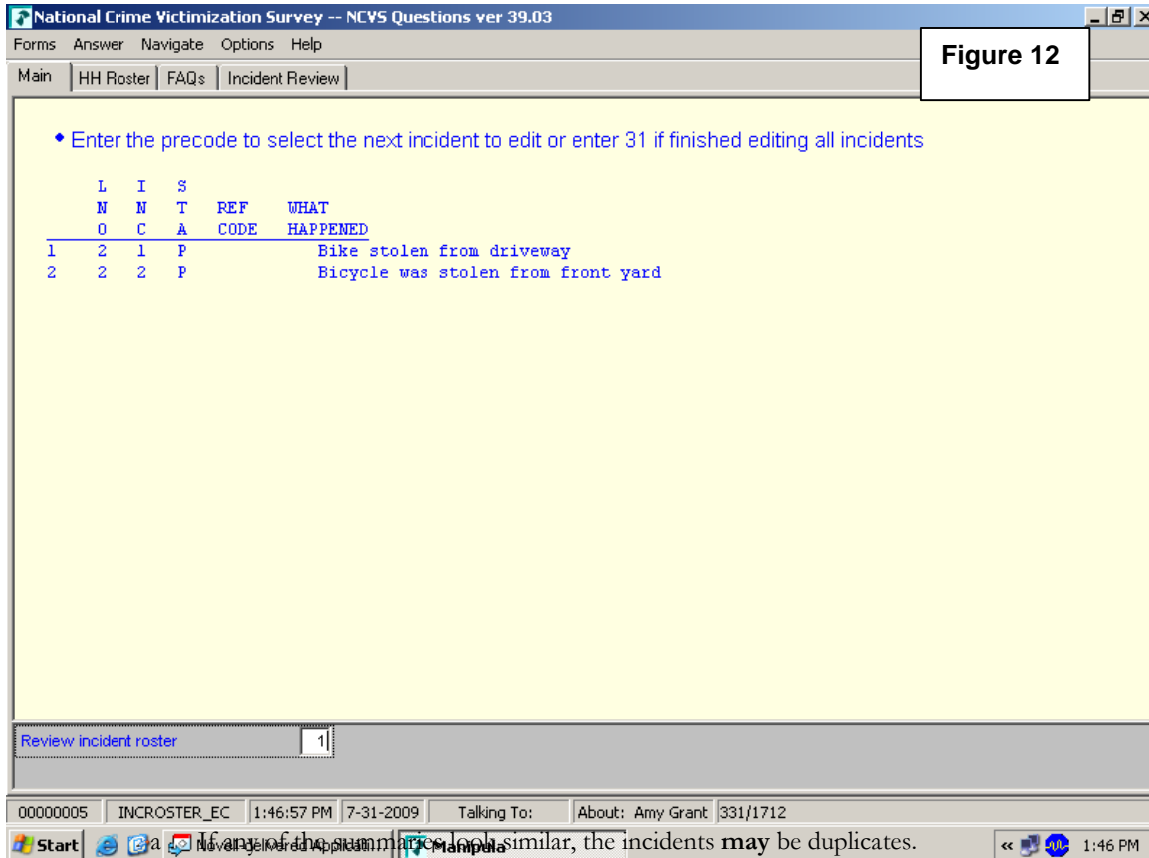


Figure 12

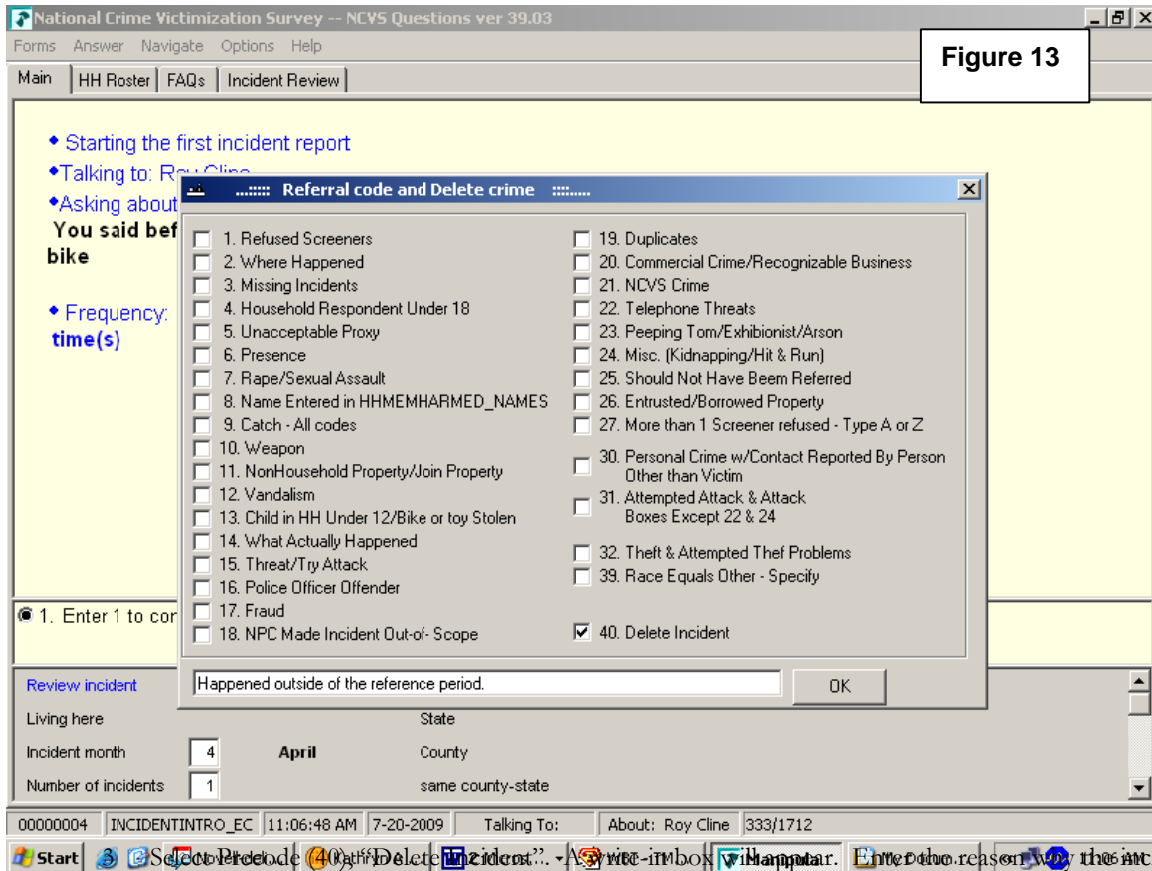
- b Edit suspected duplicate incidents first.
- c Review the suspected duplicate incidents to determine if they actually are duplicates.
 - (1) Enter the incident number of the first possible duplicate incident to review at the **INCROSTER_EC** screen in order to review it.
 - (2) Review the first possible duplicate incident, paying particular attention to the **SUMMARY** screen and any Notes.
 - (3) Enter the incident number of the second possible duplicate incident at the **INCROSTER_EC** screen.

- (4) Review the second suspected duplicate incident the same way, paying particular attention to the **SUMMARY** screen and any Notes.
- d Use the information from the **SUMMARY** screen and Notes as well as all pertinent data (such as the date of the incident and number of times), to determine if the incidents are duplicates.
 - (1) If the incidents are determined to be duplicates, refer both/all of the incidents to HQ as duplicates, following the instructions in Section 1, Subsection I, “How to Refer Incidents.”
 - (a) Enter the Referral Code (19) for the suspected duplicate(s) and continue editing and coding the incident for other possible reasons to refer the incident to HQ.
 - (b) “Reaccess,” “Recode,” and “Refer” the first possible duplicate after coding the second incident as a possible duplicate. Continue to review this incident for other possible reasons to refer the incident to HQ.
 - (2) If the second (and any subsequent) possible duplicate is **not** a duplicate, continue editing and coding the incident using standard E/C procedure.
- e Although it is rare, households may have triplicate (or more) incidents or two or more sets of duplicate incidents. Enter the incident number of any subsequent suspected duplicate incidents and repeat the same steps listed above.

K. HOW TO DELETE INCIDENTS

- 1 When flagging an incident for deletion, simultaneously hit the “Control” + “W” keys from within the incident report. Please note that it does not matter what screen you are on, as long as you are **in** the incident report. (Also see Section 1, Subsection I, “How to Refer Incidents”.)

- 2 The following pop-up screen will appear, listing all of the possible referral reasons.



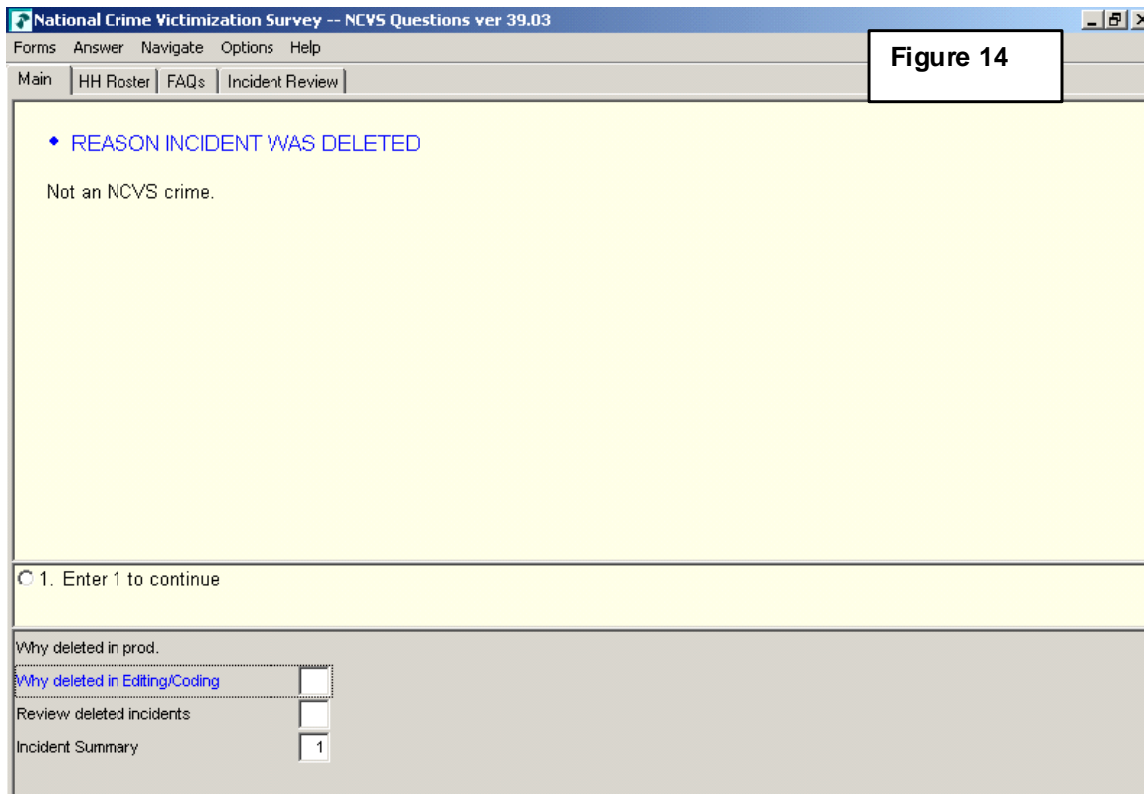
being deleted. In Figure 13, the incident is being deleted because it “happened outside of the reference period.” After entering the reason click on the “OK” button and then hit “Enter” to advance to the **WHYDELETEDINEC_EC** screen.

- 4 From the **WHYDELETEDINEC_EC** screen enter “1” to proceed to the **DELINCROSTER_EC** screen. The incident being deleted will have a Status Code of “D” in the “STA” column. Enter Precode (2) to leave as is and return to the **INCROSTER_EC** screen. (The **DELINCROSTER_EC** screen is discussed in more detail in Section 1, Subsection H2.)

L. HOW TO HANDLE INCIDENTS FLAGGED FOR DELETION IN E/C

- 1 An incident may either be flagged for deletion in production by the FR (“Out-of-Scope” or “Duplicate”), or an incident may be flagged for deletion in E/C.

- a If an incident was flagged for deletion by the FR, the incident being flagged for deletion will have a Status Code of “D” in the “STA” column of the **INCROSTER_EC** screen, and will not have a referral reason in the “REF CODE” column. See Section 1, Subsection H, “How to Edit Incidents Flagged for Deletion in Production” for more details on incidents flagged for deletion by the FR.
 - b If an incident was flagged for deletion in E/C the incident being flagged for deletion will have a status of “D” in the “STA” column and a code of “40” in the “REF CODE” column in the **INCROSTER_EC** screen.
- 2 If you select an incident at the **INCROSTER_EC** screen that has been flagged for deletion in E/C the instrument will proceed to the **WHYDELETEDINEC_EC** screen.
 - 3 This screen, as shown below (Figure 14), displays the reason why the incident was flagged for deletion by a coder who previously reviewed the incident. In this example the incident was flagged for deletion because it is “not an NCVS crime.”



- 4 Enter “1” to continue. The instrument will proceed to the **DELINCROSTER_EC** screen, which is covered in Section 1, Subsection H2.

PROJECT 7523008
7523008-909-C
SECTION 1

10-30-09

- 5 If you agree with the reason the incident was flagged for deletion in E/C, select Precode (2) at the **DELINCROSTER_EC** screen. Otherwise, select Precode (3) at the **DELINCROSTER_EC** screen and once in the incident refer to HQ for resolution.

Note: Based on how the instrument is currently set-up, once an incident is flagged for deletion in E/C it cannot be unflagged within the instrument. Therefore, Precode (1) to “Undelete and reedit” is not functioning properly. Refer these incidents to HQ.

M. EXITING A CASE

- 1 You may exit an incident/case at any point by pressing the “F10” key. Although this functionality exists, it is recommended that you only exit using the instructions in step 2, below.
- 2 When you have completed your review of the case, enter “31” at the **INCROSTER_EC** screen. After entering “31” in the **INCROSTER_EC** screen, the instrument will proceed to the screens **WHATSTAGE_EC**, **AREYOUSURE_CK**, and **SHO_FINAL**. These screens are discussed in Section 1, Subsection G, “Screens in the Editing and Coding Instrument.”
- 3 If you need to exit a case prior to finishing your review enter Precode (2) at the **WHATSTAGE_EC** screen in order to keep the case in the current review stage.
- 4 Once you have progressed past these screens you will exit the instrument and return to WebCATI. For instructions on exiting out of the case in WebCATI, refer to the “NCVS WebCATI Coding Navigation Manual,” starting on page 1-12.

PROJECT 7523008 10-30-09
7523008-909-C
SECTION 2

NATIONAL CRIME VICTIMIZATION SURVEY (NCVS)

SECTION 2

INSTRUCTIONS FOR USING THE AUTOMATED NCVS
EDITING AND CODING BLAISE INSTRUMENT

TABLE OF CONTENTS

<u>Section</u>	<u>Page</u>
A. INTRODUCTION.....	1
B. GENERAL EDIT INSTRUCTIONS.....	1
C. REFERRALS.....	2
D. SPECIFIC EDIT INSTRUCTIONS.....	3
E. HOW TO EDIT SPECIFIC ITEMS OF THE INCIDENT REPORT.....	8
F. VERIFICATION.....	23
G. DISPOSITION.....	24

PROJECT 7523008 10-30-09
7523008-909-C
SECTION 2

NATIONAL CRIME VICTIMIZATION SURVEY (NCVS)

SECTION 2

INSTRUCTIONS FOR USING THE AUTOMATED NCVS
EDITING AND CODING BLAISE INSTRUMENT

A. INTRODUCTION

This section provides instructions for Editing and Coding (E/C) NCVS cases with incident reports, write-in entries in the “Catchall” screens **SQCALLPOLICECRIME** and **SQNOCALLPOLICECRIME**, and write-in entries in the Control Card screen **RACE**. Refer unresolved cases to DSD/CSB at Headquarters (HQ) for resolution.

B. GENERAL EDIT INSTRUCTIONS

- 1 Perform the editing and coding in one pass.
- 2 Do not edit crimes for household members who have a status of “DONE-Nonint” under the “STA” column in the **SCREEN1** screen. Only edit crime reports for household members who have a status of “DONE-Int.”
- 3 Edit only the screens specified. Since the Blaise instrument edits the data, it is not necessary to edit the following:
 - a Skip patterns - are edited by the computer. However, if a skip pattern is changed during editing, the screens that are missing data (in the new skip pattern) must be filled clerically, when applicable, based on the Summary and Notes sections.
 - b Numeric entries - are edited by the computer. Therefore, fractions and ranges are not clerically edited.
- 4 Refer to Section 1, Subsection D of this procedure on how to make corrections to existing data.
- 5 Contact Kathryn Cheza, DSD/CSB, via email when you have completed reviewing all of the CAPI cases.

PROJECT 7523008 10-30-09
7523008-909-C
SECTION 2

C. REFERRALS

- 1 Once a case is accessed, review and edit (if necessary) any household members who have a write-in entry in screen **RACE_SPECIFY** and reclassify any incidents based on entries to screens **SQCALLPOLICECRIME** and **SQNOCALLPOLICECRIME** (See Section 1, Subsections E and F, respectively). Refer to Attachment A for the List of Crime Reclassification Codes and Attachment B for Race Instructions for Control Card Screen **RACE** for more details on reviewing and editing race.
- 2 Edit all incidents in all cases. After a referral reason is found, continue editing the incident in order to resolve or for any additional reasons refer to HQ.
- 3 Resolve incidents that report Commercial Crimes as listed below. (For example: burglary or larceny of respondent's place of employment.)
 - a If there is any indication an Incident Report is for a commercial crime, determine if the crime incident occurred against a recognizable or an unrecognizable business:
 - 1) Unrecognizable business - If you determine there was a crime against an unrecognizable business, accept the NCVS incident report. For example, the respondent runs a business from home, and there is no sign on the premises advertising the business. This could be mentioned in the Notes or **SUMMARY** screen. If you are unable to determine if the business run from home is an unrecognizable business, refer the incident to HQ.
 - 2) Recognizable business:
 - a) If you determine there was only a crime against the recognizable business and no other NCVS crime occurred then delete the incident as "Out-of-Scope." (For instance, there was no illegal entry or attempted illegal entry of the respondent's home, etc.; no attack or attempted attack occurred; no one was threatened with harm in any way; or no household property was stolen.)
 - b) If you determine there were personal items stolen from a recognizable business, edit screens **THEFT** through **RECOVEREDINSURANCE** on the NCVS incident report to accept only the respondent's personal loss (not the business loss). For example, if the respondent's sweater was stolen at the office, or if the respondent's lunch was stolen from the refrigerator at work, the sweater and lunch would be the respondent's personal loss. If unable to resolve, refer the incident to HQ.

PROJECT 7523008 10-30-09
7523008-909-C
SECTION 2

- b If you are unable to determine whether the crime occurred in a recognizable or unrecognizable business, refer the incident to HQ.
- 4 If an incident involves a police officer as the offender, refer the incident to HQ.
- 5 Hit and run accidents:
 - a If there is NO indication there was a DELIBERATE attempt to run over the victim or run the victim off the road (not just an accident or poor driving), delete the incident as "Out-of-Scope."
 - b If there is an indication of DELIBERATE intent to run over the respondent or run the respondent off the road refer the incident to HQ. (For example, a situation where the respondent knew the offender).
 - c If in doubt about the intent, refer the incident to HQ.
- 6 Duplicate reporting of incidents:

If there is any indication that more than one household member is reporting the same incident, or the Field Representative (FR) has flagged the case as a duplicate, refer the incidents to HQ. (See Section 1, Subsection J.)
- 7 If an incident report is incomplete it is probably because the person is a Type Z, Noninterview. These incidents are to be referred to HQ using Referral Code 3.
- 8 Do not refer the following types of incidents unless you are unable to resolve them using the specific instructions given later in this procedure.
 - a Arson - The malicious act of burning a respondent's home or any building on the respondent's property.
 - b Fraud only (For example: Embezzlement, con games, extortion, forged checks, illegal use of credit cards.)
 - c Peeping Toms/Exhibitionism only.
 - d Telephone threats, threatening letters, E-mail, or phone texts only.
 - e Cases which were deleted because the reference period is "Out-of-Scope."

D. SPECIFIC EDIT INSTRUCTIONS

- 1 Recoding race write-in entries - See Attachment B_for more details.

PROJECT 7523008 10-30-09
7523008-909-C
SECTION 2

- 2 Examine all FR Notes and "F7 Item Level Notes," then edit as follows:
- a "Specify Screens" - Determine if entries for "Specify" screens can be reclassified into a precoded category.

- 1) Pay close attention to the following screens, as the entries in these screens can usually be reclassified into a precoded category:

LOCATION_SPEC	HOWATTACK_SPEC
WHATHAPPEN_SPEC	ATTEMPTTHEFTWHAT_SPEC
HOWATTACK_SPEC	
WHATWASTAKEN_SPEC	
HOWTHREATEN_SPEC	
DOINGATINCIDENTTIME_SPEC	

- 2) If able to reclassify a specified entry in a multiple answer category, delete the "Specify" precode and select the correct precode. If you reclassify a "Specify" answer on a single answer category, select the correct precode. You do not need to delete the "Specify" precode for single entry questions.

NOTE: Do not reclassify screens EMPLOYERTYPE through JOBMSATYPE.

- 3) For "Specify" entries in the "Catch-All" screens **SQCALLPOLICECRIME** or **SQNOCALLPOLICECRIME** reclassify any incidents using the instructions in Section 1, Subsection F. If there are more than three incidents displayed in the "Incident Description" in the screen(s) **CATCHALL1_EC** and/or **CATCHALL2_EC** reclassify only the first three incidents.
- b Summary, Notes - Determine if the Summary and Notes conflict with any of the data entries.
- 1) If a conflict exists with an NCVS screen listed in Section 2, Subsection E of this procedure, correct the data within the incident report to agree with the Summary and Notes. If you are unable to resolve based on the Summary, refer to HQ.
- 2) If a conflict exists with an NCVS screen not listed in Section 2, Subsection E of this procedure, correct the data within the incident report to agree with the Summary and Notes. If you are unable to resolve based on the Summary, accept the related incident report entries; **do not refer** these incidents.
- 3) If unable to resolve because the Summary or Notes are vague, refer to HQ.

PROJECT 7523008 10-30-09
7523008-909-C
SECTION 2

- 3 Edit the types of incidents shown below as follows:
- a Police officer as victim - Accept the incident and edit as usual. (Consider any law enforcement officer a police officer.)
 - b Property Belonging to Nonhousehold Member - If the Notes or Summary indicate that the incident only involves property that belonged to a nonhousehold member or a recognizable business, school, etc., change the entry in screen **THEFT** or **ATTEMPTTHEFT** to "2." If in doubt or unable to resolve, refer to HQ. (See Section 2, Subsection E for more details on coding the theft and attempted theft questions for this scenario.)
 - c Theft/Attempted Theft of Household Member's Property from Nonhousehold Member or Recognizable Business - If the incident involves household property that was loaned to or left with a nonhousehold member or a recognizable business, school, etc., edit as follows:
 - 1) If the property was stolen from the nonhousehold member, business, school, etc., accept the incident.
 - 2) If the nonhousehold member, business, school, etc., kept the property, sold it, destroyed it, etc., but the property was not stolen from the nonhousehold member, business, school, etc., change the entry in screen **THEFT** or **ATTEMPTTHEFT** to "2."
 - 3) If in doubt, refer to HQ.
 - d Stolen Antenna - If an incident involves a stolen motor vehicle antenna, edit as follows:
 - 1) Accept the incident if the incident reports a theft and there are no Notes to contradict it.
 - 2) Accept the incident if the incident does **not** report a theft and there are no Notes to contradict it.
 - 3) Change screen **THEFT** to (1) "Yes" or (2) "No" to agree with the Notes or the Summary when possible.
 - 4) If you are unsure as to whether the antenna was stolen or not, refer to HQ.
 - e Arson, Fraud, Peeping Tom/Exhibitionism, Telephone, E-mail, Phone Text, or Letter Threats, and Indirect Threats Relayed to Respondent by Persons Other Than the Offender -

PROJECT 7523008 10-30-09
7523008-909-C
SECTION 2

- 1) These incidents are not NCVS crimes unless another NCVS crime happened in conjunction with them. Do not refer these incidents unless you are unable to resolve them using the following instructions:
 - a) Review the incident and the Summary to determine if another NCVS crime also occurred, such as:
 1. Was there an illegal entry or attempted illegal entry? (Does something in the Summary/Notes indicate an illegal entry or attempted illegal entry, or is Precode "11" selected for screen **LOCATION_GENERAL**, or is Precode "16" and/or Precode "17" selected in screen **WHATHAPPEN**?)
 2. Was the respondent attacked, was there an attempted attack, or was the respondent threatened with harm in any way? (Does something in the Summary/Notes indicate an attempted or actual attack or threat, or is Precode "15" or "16" selected in screen **WHATHAPPEN** or are any precodes selected in screens **HOWTRYATTACK** through **HOWATTACK**?)
 3. Was there household property stolen or an attempt to steal household property? (Does something in the Summary/Notes indicate theft or attempted theft, or are any precodes selected in screens **ATTEMPTTHEFTWHAT** or **WHATWASTAKEN**?)
 - b) If another NCVS crime did occur in conjunction with a non-NCVS crime (arson, fraud, Peeping Tom/exhibitionism, telephone, e-mail, phone text, or letter threats; indirect threats relayed to the respondent by persons other than the offender), delete the non-NCVS crime (arson, fraud, Peeping Tom/exhibitionism, telephone, e-mail, phone text, letter threats, or indirect threats) from the incident reports.
 - c) If no other NCVS crime occurred in conjunction with the non-NCVS crime (arson, fraud, Peeping Tom/exhibitionism, telephone, e-mail, phone text, or letter threats; indirect threats relayed to respondent by persons other than the offender), delete the incident as "Out-of-Scope."
- 2) Examples of each of the previously listed non-NCVS crimes occurring in conjunction with another NCVS crime are given below.
 - a) Arson - The offender stole the respondent's car and then burned the respondent's garage. Delete the arson from the report and keep the theft of the car. If the offender had only burned the respondent's garage delete the incident as "Out-of-Scope."

PROJECT 7523008 10-30-09
7523008-909-C
SECTION 2

Note: Arson is the malicious act of burning the respondent's house or any building on the respondent's property.

- b) Fraud - The respondent's purse containing a wallet and credit cards was stolen and the offender used the credit card to buy merchandise. Keep the theft of the purse, wallet, and credit cards. However, if the incident includes the value of the merchandise that was purchased fraudulently, delete the amount of the merchandise from the value in screen **PROPERTYVALUE**. If only the credit card number was used to buy merchandise and no theft had occurred (the credit card was not stolen), delete the incident as "Out-of-Scope."

Note: Examples of fraud are embezzlement, con games, extortion, forged checks, illegal use of credit card, theft of electricity, theft of water from outside faucet, etc.

- c) Telephone, Letter, E-mail, or Phone Text Threat - The offender telephoned/sent a letter, e-mail, etc. to the respondent and threatened to beat up the respondent. The offender then came to the respondent's home and illegally entered the respondent's home and threatened to kill the respondent. Delete the telephone, letter, e-mail, etc. threat to beat up the respondent and keep the illegal entry and the threat to kill (since this threat was made face-to-face). If there was only a telephone or letter threat and no face-to-face confrontation had occurred, delete the incident as "Out-of-Scope."
- d) Peeping Tom/Exhibitionism - The respondent saw the offender looking through her window late at night. She screamed and the offender exposed himself then fled. As he left, the offender stole an ornamental statue that was sitting in the respondent's yard. Delete any entries related to looking through the window, exposing himself, or the trespassing. Keep the theft of the statue. If only the incident of a Peeping Tom and the exhibitionism had occurred and no theft had occurred, delete the incident as "Out-of-Scope."
- e) Indirect Threat - The respondent was shopping and ran into a friend who told the respondent that a person they both knew had threatened to harm the respondent. After the friend left, the respondent noticed that her wallet was gone. Keep the theft of the wallet, but delete the threat. If the wallet had not been stolen and only the indirect threat was made, delete the incident as "Out-of-Scope."

- 3) If in doubt about any of these types of incidents, refer the incident to HQ.

PROJECT 7523008 10-30-09
7523008-909-C
SECTION 2

- f Vandalism - If an incident involves only vandalism (no other NCVS crime occurred), delete the incident as "Out-of-Scope."
 - g Kidnapping - Is not an NCVS crime. For incidents that report kidnapping, refer to HQ.
 - h Cases which were deleted because the incident occurred outside the reference period - Accept as is; do not refer. This is further described in Section 1, Subsection H.
 - i If in doubt about any incident, refer to HQ.
- 4 Blind "Don't Know" Entries:
- a If there is a blind "Don't Know" ("Control" + "D" keys) entry and a "Don't Know" precode is provided, select the "Don't Know" precode.
 - b For screen **LOCATION_GENERAL** on the Incident Report, accept a blind "DK" entry. If Precode (36), "Somewhere else" is selected and the specify entry is "Don't Know" or "Refused" enter a blind "Don't Know" or a blind "Refused" in the **LOCATION_GENERAL** screen.

E. HOW TO EDIT SPECIFIC ITEMS OF THE INCIDENT REPORT

INCIDENTDATE (*Month and Year Incident Happened*)

If month entered is not within the reference period and the FR coded the incident month as outside the reference period, delete the incident using Referral Code 40. (There will be a reason the incident was deleted in the screen **WHYDELETEDINPROD_EC.**)

However, if the month appears to be inside the reference period, but the Notes and/or Summary indicate the incident actually happened outside the reference period, enter Referral Code 18 and refer to HQ.

Example: The Reference Period is January 2009 - July 2009 and the FR entered March (Precode "3") in the screen **INCIDENTDATE**, but the Summary and/or Notes mention that the incident happened in March 2008. Refer to HQ using Referral Code 18.

PROJECT 7523008 10-30-09
7523008-909-C
SECTION 2

RECALLDETAILS (*Recall Details*)

If Precode (2) “No,” “is a series” is selected in screen **RECALLDETAILS** enter Referral Code 28 and refer to HQ.

If the Summary and/or Notes indicate this incident is part of a “Series” enter Referral Code 28.

INCIDENTAIR (*American Indian Reservation*)

If screen **INCIDENTAIR** is blank, enter Referral Code 24 and refer to HQ. Include in the Notes section in WebCATI that **INCIDENTAIR** was blank.

LOCATION_GENERAL - LOCATION_SPEC

(*Where Did This Incident Happen?*)

The location of where the incident took place is coded using nine screens. The first screen, **LOCATION_GENERAL**, contains eight “general” categories that are used to direct the instrument to one of the other eight location screens to code a more specific location. The screens **LOCATION_IN_HOME**, **LOCATION_NEAR_HOME**, **LOCATION_OTHER_HOME**, **LOCATION_COMMERCE**, **LOCATION_PARKING**, **LOCATION_SCHOOL**, **LOCATION_OPEN_AREA** and **LOCATION_SPEC** are used to code the specific type of place where the incident happened.

- 1 Examine the Summary and Notes. Verify that the entry is correct. If necessary, change **LOCATION_GENERAL** to agree with the Notes or Summary.
- 2 If you determine that Precodes “11”-“14” should be selected in **LOCATION_IN_HOME** try to fill screens **OFFENDERLIVE** through **OFFENDERGETIN** by referring to the Summary or Notes as necessary. If in doubt about how to code any of these screens, refer to HQ.
- 3 Try to resolve those you are sure should be in Precodes “15” through “35” in screens **LOCATION_NEAR_HOME** through **LOCATION_OPEN_AREA** (but are not sure **which** **Precode** “15”-“35”) based on available information in the incident report or from the NCVS - 550, CAPI Interviewing Manual (pages B4-17 through B4-36). Use your best judgment. If you are still unable to resolve after reviewing the incident report and the manual, select Referral Code 2, and refer the incident to HQ.

PROJECT 7523008 10-30-09
7523008-909-C
SECTION 2

- 4 If the Summary does not indicate where the incident took place, accept the entry in the location screens as is.
- 5 If Precode (36), "Somewhere else" is selected in screen **LOCATION_GENERAL** reclassify the location description in the screen **LOCATION_SPEC** into one of the categories provided.
- 6 If "Don't Know" is spelled out or a blind "DK" ("Control" + "D" keys) is entered in **LOCATION_SPEC** enter a blind "DK" in **LOCATION_GENERAL**. Similarly, if "Refused" is spelled out or a blind "RF" ("Control" + "R" keys) is entered in **LOCATION_SPEC** enter a blind "RF" in **LOCATION_GENERAL**.
- 7 If there is any doubt about the correct category or about where the incident happened, enter Referral Code 2, and refer to HQ.

EVIDENCE (*Evidence of Force or Attempted Force?*)

If the only Precode selected is "14," "18," or "19" and the write-in indicates no force proceed as follows:

- 1 Change the entry in screen **FORCEDENTRY** from "1" to "2."
- 2 Enter the appropriate precode(s) in screen **OFFENDERGETIN**.

OFFENDERGETIN (*How Did Offender Get In/ Try To Get In?*)

- 1 If Precode "19," "Specify" indicates force, examine the Summary and Notes to determine if force was actually used.
- 2 If force was used:
 - a Change the entry in screen **FORCEDENTRY** from "2" to "1."
 - b Enter the appropriate precode(s) in screen **EVIDENCE**.

HHMEMBERPRESENT (*Household Member Present When Incident Occurred?*)

If the Summary or Notes contradicts the entry for **HHMEMBERPRESENT** or **WHICHMEMBER** take the following action:

PROJECT 7523008 10-30-09
7523008-909-C
SECTION 2

- 1 If the respondent was present, or if in doubt about whether the respondent or another household member was present, enter Referral Code 6 and refer to HQ.
- 2 If according to NCVS rules (refer to the NCVS-550 Manual, pages B4-53 through B4-58) no household member was present, select Precode "2" for screen **HMEMBERPRESENT** and code screens **KNOWLEARNOFFENDERS**, **SUREOFINFO** and **LEARNOFFENDERS** as necessary from information in the Summary or from other coded screens.
- 3 If the answer to screens **KNOWLEARNOFFENDERS**, **SUREOFINFO** or **LEARNOFFENDERS** is not known, leave them blank. The respondent would have known the answer to these questions if screen **HMEMBERPRESENT** was entered correctly during the original interview.
- 4 If there is a discrepancy between the first E/C review and the verification review enter Referral Code 6 and refer to HQ.

WHICHMEMBER (*Which Members Were Present?*)

- 1 If the entry in screen **WHICHMEMBER** is "3," but the Summary/or Notes indicate the respondent was present, enter Referral Code 6 and refer to HQ.
- 2 Try not to refer if your only question is whether the respondent and another household member were present or only another household member was present (not the respondent) in screen **WHICHMEMBER**. Use your judgment when reviewing these incidents and code the best you can. If you are unable to determine the right code, enter Referral Code 6 and refer to HQ.
- 3 If you determine from the Summary and/or Notes that Precode "3" was marked correctly, accept the entry.
- 4 If Precode "3" is selected in screen **WHICHMEMBER**, attempt to code screen **HAPPEN** from information in the Summary or from other coded screens.
- 5 If there is a discrepancy between the first E/C review and the verification review, enter Referral Code 6 and refer to HQ.

WEAPON (*Was a Weapon Present/Type of Weapon?*)

- 1 If Precode "4," "5," or "6" is selected and Precodes "1"- "3" are blank, refer to Attachment C, Instructions for **WEAPON**. If unable to resolve, enter Referral Code 10 and refer to HQ.

PROJECT 7523008 10-30-09
7523008-909-C
SECTION 2

- 2 If Precode (1) "Yes" is selected in screen **WEAPONPRESENT** and the weapon is selected in screen **WEAPON**, but Precode (2) "No" is selected in screens **ATTACK, TRYATTACK** and **THREATEN** enter Referral Code 10 and refer to HQ.

WHATHAPPEN (*What Actually Happened?*)

- 1 When Precode "20" is selected in screen **WHATHAPPEN**, if possible reclassify and edit as necessary. If unable to reclassify, review the entry and determine if an NCVS crime has occurred. See Section 2, Subsection D, pages 4 through 7 for descriptions of what constitutes an NCVS crime.
 - a If an NCVS crime did occur, enter Referral Code 14 and refer the incident to HQ.
 - b If no NCVS crime occurred, accept the entry and take no further action. The incident will not classify.
- 2 If Precode "13" is the only entry and the Summary does not indicate something else happened, accept the entry as is; do not refer. If the Summary indicates another NCVS crime occurred, enter Referral Code 14 and refer to HQ. See Section 2, Subsection D, pages 4 through 7 for descriptions of what constitutes an NCVS crime.
- 3 If Precode "14" or "15" is selected in screen **WHATHAPPEN** enter Referral Code 7 and refer to HQ.
- 4 If only Precode "18," and/or Precode "19" are selected take the following action:
 - a Verify that only Vandalism occurred (or was attempted) and no NCVS crime occurred. (See Section 2, Subsection D, pages 4 through 7 for descriptions of what constitutes an NCVS crime.
 - b If only Vandalism occurred (or was attempted), delete the incident as "Out-of-Scope."

HOWTRYATTACK, HOWTHREATEN (*Threatened/Tried to Attack*)

- 1 Reclassify any "Specify" entry in screens **HOWTRYATTACK_SPEC** and **HOWTHREATEN_SPEC**, (Precode "24") if possible. If unable to reclassify, enter Referral Code 15 and refer to HQ.

Census Instructions for Using The Automated NCVS Editing And Coding Blaise Instrument

PROJECT 7523008 10-30-09
 7523008-909-C
 SECTION 2

- 2 If Precode "11," "14," "15," or "16" is selected in screens **HOWTRYATTACK** or **HOWTHREATEN**, enter Referral Code 7 and refer to HQ.
- 3 If only Precode "22" is selected in screens **HOWTRYATTACK** or **HOWTHREATEN**, take the following action:
 - a Examine the Summary and determine if anything else happened. If something else happened, code accordingly. If in doubt as to how to code, refer to HQ.
 - b If you determine that nothing else happened, accept the incident as is and do not refer. (If only Precode "22" is selected in screens **HOWTRYATTACK** and **HOWTHREATEN** take no further action. The incident will not classify.)
- 4 If the Summary and/or any Notes **clearly** indicates that an attack occurred, go back to screen **ATTACK** and select Precode "1." Select all necessary precodes in screen **HOWATTACK**. Use the Summary, Notes and information from other screens to complete screens **PRETHREATEN** through **MEDICALEXPENSES**, as necessary. If unable to fill out, leave blank.
- 5 If in doubt or unable to determine whether it was an attack, attempted attack, or threat, enter Referral Code 15 and refer to HQ.

HOWATTACK (*Attacked*)

- 1 If Precodes "11," "12" and/or "13" is selected in **HOWATTACK**, enter Referral Code 7 and refer to HQ.
- 2 If the Summary and/or Notes **clearly** indicate(s) that an attempted attack or threat occurred, go back to screen **ATTACK** and change the Precode from "1" to "2." Then select the necessary Precode for screen **TRYATTACK** and/or **THREATEN**. Also select the necessary entries in screen **HOWTRYATTACK** or **HOWTHREATEN**.
- 3 If any doubt or unable to determine whether it was an attack, attempted attack, or a threat, enter Referral Code 31 and refer to HQ.

INJURY (*Injuries*)

- 1 If Precodes "12," "13," and/or "14" are selected in the screen **INJURY**, enter Referral Code 7 and refer to HQ.

PROJECT 7523008 10-30-09
7523008-909-C
SECTION 2

- 2 Try to reclassify all entries in screen **INJURY_SPEC** to the precodes in screen **INJURY**. If **INJURY_SPEC** contains an answer that refers to an emotional or mental injury (i.e., not a physical injury) delete Precode "21." If other injuries are marked, keep those precodes. If no other injuries are marked, select Precode "11." If unsure, refer to HQ.

HHMEMHARMED (*How Many Household Members Harmed?*)

If there is an entry greater than or equal to "1," enter Referral Code 8 and refer to HQ.

HAPPEN (*What Actually Happened?*)

If there is any indication that a household member was harmed, threatened or robbed by force, enter Referral Code 14 and refer to HQ.

THEFT, ATTEMPTTHEFT (*Theft, Attempted Theft*)

- 1 If the Precode in screens **THEFT** or **ATTEMPTTHEFT** is "1," examine the Summary and Notes. Verify that the precode is correct and change screen **THEFT** or screen **ATTEMPTTHEFT** to agree with the Notes or Summary as necessary.
- 2 If the Precode in screen **THEFT** is "2" and the Summary and/or Notes indicate(s) that a household member's property was taken, correct the report as follows:
 - a Change screen **THEFT** to "1."
 - b In screen **WHATWASTAKEN** add the stolen property listed in the Notes or Summary.
 - c Fill screens **WHOOWNEDSTOLENPROPERTY** through **RECOVEREDINSURANCE** using information in the Summary and/or Notes.
 - d If in doubt, enter Referral Code 32 and refer to HQ.
- 3 If screen **ATTEMPTEDTHEFT** is "2" and the Summary and/or Notes indicate(s) someone attempted to take a household member's property, correct the report as follows:
 - a Change screen **ATTEMPTEDTHEFT** to "1."

PROJECT 7523008 10-30-09
7523008-909-C
SECTION 2

- b Fill screens **ATTEMPTTHEFTWHAT** through screen **ATTEMPTTHEFTITEMS** using information in the Notes and/or Summary.
 - c If in doubt, enter Referral Code 32 and refer to HQ.
- 4 If **THEFT** is “1” and the Summary and/or Notes indicate that someone attempted to take a household member’s property, correct the report as follows:
- a Change screen **THEFT** to “2” and enter “1” in screen **ATTEMPTHEFT**.
 - b Use the Summary, Notes, and data from screens **WHATWASTAKEN** through **ITEMSTAKEN** to fill in screens **ATTEMPTTHEFTWHAT** through **ATTEMPTTHEFTITEMS**.
 - c If in doubt, enter Referral Code 32 and refer to HQ.
- 5 If **ATTEMPTTHEFT** is “1” and the Summary and/or Notes indicate that a household member’s property was taken, correct the report as follows:
- a Change screen **THEFT** to “1.”
 - b Use the Summary, Notes, and data from screens **ATTEMPTTHEFTWHAT** through **ATTEMPTTHEFTITEMS** to fill in **WHATWASTAKEN** through **RECOVEREDINSURANCE**.
 - c If in doubt, enter Referral Code 32 and refer to HQ.

ATTEMPTTHEFTWHAT (*Attempted Theft*)

Examine the Summary and Notes and verify the correct categories were selected. Change screen **ATTEMPTTHEFTWHAT** to agree with the Notes or Summary, as necessary.

- 1 If **ATTEMPTHEFTWHAT** is “26” review the Summary and the “Specify” entry for this screen. If possible, reclassify this entry to one of the precoded categories.
- 2 If the Summary and Notes do not indicate what the offender tried to take, accept the entries.
- 3 If in doubt, enter Referral Code 32 and refer to HQ.

PROJECT 7523008 10-30-09
7523008-909-C
SECTION 2

ATTEMPTTHEFTOWNER (*Who Property Belongs To*)

Examine the Summary and Notes and verify the correct categories were selected. Correct as necessary.

- 1 If the Summary or Notes indicate that the money or property belonged to a nonhousehold member, recognizable business, school, etc. (**ATTEMPTTHEFTOWNER** is "4"), to resolve the incident, do the following:

- a Review the incident to determine if another NCVS crime occurred. See Section 2, subsection D, pages 4 through 7 for descriptions of what constitutes an NCVS crime.
- b If no other NCVS crime occurred, then delete the incident as "Out-of-Scope."
- c If there is another NCVS crime in conjunction with the attempted theft of the nonhousehold property, delete the attempted theft of the nonhousehold property from screen **ATTEMPTTHEFTWHAT**. If necessary, edit screen **ATTEMPTTHEFT** to Precode "2."

Example: The respondent reports that the offender attempted to steal a friend's (nonhousehold member's) motorcycle from the respondent's garage during an illegal entry. Delete the attempted theft of the motorcycle by changing **ATTEMPTTHEFT** to "2." Keep the remaining part of the incident that includes the illegal entry of respondent's home.

- d If in doubt, enter Referral Code 11 and refer to HQ.
- 2 If there is any indication the money or property belonged only to a household member under 12, take the following steps to correct the report:

- a Look at screens **LOCATION_GENERAL**, **LOCATION_IN_HOME**, and **LOCATION_NEAR_HOME**.

- 1) If the precode in **LOCATION_GENERAL** is "11" or "12," accept the incident as is.

Example: A 9 year old household member's bike was stolen from the respondent's front yard (**LOCATION_GENERAL** is "12" and Precode "15" is selected in screen **LOCATION_NEAR_HOME**). Nothing else happened; no one was present. Accept the incident as is.

PROJECT 7523008 10-30-09
7523008-909-C
SECTION 2

2) If the Precode in **LOCATION_GENERAL** is "13"- "17" or "36," determine if any other NCVS crime happened in addition to the attempted theft. See Section 2, Subsection D, pages 4 through 7 for descriptions of what constitutes an NCVS crime.

a) If there is another crime other than the attempted theft, delete the attempted theft by changing screen **ATTEMPTTHEFT** to "2." The CAPI instrument automatically deletes the entries in screens **ATTEMPTTHEFTWHAT** through **ATTEMPTTHEFTITEMS**.

Example: An attempt was made to steal a 9 year old household member's bike from the parking lot of the mall. (**LOCATION_GENERAL** is "15" and Precode "29" is entered in screen **LOCATION_PARKING**.) His 14 year old brother was present and attacked during the incident. The 14 year old reported the attack and the attempted theft of the bike. Keep the information about the attack of the 14 year old brother. Delete the attempted theft of the bike that belonged to the 9 year old. Enter "2" in screen **ATTEMPTTHEFT**.

b) If the attempted theft is the only NCVS crime that occurred, delete the incident as "Out-of-Scope."

Example: An attempt was made to steal a 9 year old household member's bike from the yard of a neighbor's home. (**LOCATION_GENERAL** is "13" and Precode "19" is entered in screen **LOCATION_OTHER_HOME**.) Nothing else was stolen; no one was present. Delete the incident as an "Out-of-Scope" incident.

b) If in doubt, enter Referral Code 32 and/or 13 and refer to HQ.

3) If the precode in screen **ATTEMPTTHEFTOWNER** is "5," take the following steps to correct the report:

a) Review the Summary and the "Specify" entry for this screen.

b) Reclassify this entry to one of the precoded categories, if possible.

Example: The Summary states that the stolen property actually belongs to a nonhousehold member. Change item **ATTEMPTTHEFTOWNER** from Precode "5" to Precode "4." Then, follow the instructions above for resolving these incidents.

PROJECT 7523008 10-30-09
7523008-909-C
SECTION 2

- c If the "Specify" entry or Summary indicates that the stolen property belongs to the respondent AND a nonhousehold member, take the following steps to correct the report:
 - 1) If the Summary gives a breakdown of the property owned by the respondent and owned by the nonhousehold member, delete the property that belonged to the nonhousehold member from screen **ATTEMPTTHEFTWHAT**. This information is often noted in the Summary. Change screen **ATTEMPTTHEFTOWNER** to Precode "1," "2," or "3."

Example: The respondent's garage was broken into. The offender(s) attempted to steal several items. The property included the respondent's tools and a boat belonging to a nonhousehold member. Delete the boat from screen **ATTEMPTTHEFTWHAT**. Change screen **ATTEMPTTHEFTOWNER** to Precode (1), "Respondent only."
 - 2) If the Summary or the entry does not give the breakdown of the property owned by the respondent and owned by the nonhousehold member, enter Referral Code 11 and refer to HQ.

Example: The respondent's garage was broken into. The offenders attempted to steal several items belonging to the respondent and a nonhousehold member. The property included tools and a boat. Do not edit the precodes in screen **ATTEMPTTHEFTWHAT**.
 - d If in doubt, enter Referral Code 11 and refer to HQ.
- 4 If in doubt, enter Referral Code 11 for a nonhousehold property problem, Referral Code 20 for a recognized business property problem, and/or Referral Code 32 for a theft or attempted theft problem and refer to HQ.

WHATWASTAKEN (*What Was Taken?*)

Examine the Summary and Notes and verify the correct categories were selected. If necessary, change screen **WHATWASTAKEN** to agree with the Notes or the Summary.

- 1 If the Summary and Notes do not indicate what was taken, accept the entries.
- 2 If the selected Precode is "11," accept the entry even if other items besides cash were taken.

PROJECT 7523008 10-30-09
7523008-909-C
SECTION 2

- 3 If in doubt, enter Referral Code 32 and refer to HQ.

WHOOWNEDSTOLENPROPERTY (*Who Property Belongs To*)

Examine the Summary and Notes and verify the correct categories were selected. Correct as necessary.

- 1 If the Summary or Notes indicate that the stolen money or property belonged to a nonhousehold member, recognizable business, school, etc. (**WHOOWNEDSTOLENPROPERTY** is "4") do the following:
 - a Review the incident to determine if another NCVS crime occurred. See Section 2, Subsection D, pages 4 through 7 for descriptions of what constitutes an NCVS crime.
 - b If no other NCVS crime occurred, then delete the incident as "Out-of-Scope."
 - c If there is another NCVS crime in conjunction with the theft of the nonhousehold property, delete the theft of the nonhousehold property from screen **WHATWASTAKEN**. If necessary, change the screen **THEFT** to Precode "2."

Example: The respondent reports that a friend's (a nonhousehold member's) jacket was stolen from the respondent's home during an illegal entry. The respondent's purse was also stolen. Delete the theft of the jacket from screen **WHATWASTAKEN**. Also, using information in the Notes or Summary, delete the value of the property (jacket) from screen **PROPERTYVALUE**, if the property value is known. Keep the remaining part of the incident that includes the illegal entry of the respondent's home and the theft of the respondent's purse.

- d If in doubt, enter Referral Code 11 and refer to HQ.
- 2 If there is any indication the money or property belonged only to a household member under 12, take the following steps to correct the report:
 - a Look at screens **LOCATION_GENERAL**, **LOCATION_IN_HOME** and **LOCATION_NEAR_HOME**.
 - 1) If the precode in **LOCATION_GENERAL** is "11" or "12," accept the incident as is.

Census Instructions for Using The Automated NCVS Editing And Coding Blaise Instrument

PROJECT 7523008 10-30-09
 7523008-909-C
 SECTION 2

Example: A 9 year old household member's bike was stolen from the respondent's front yard (**LOCATION_GENERAL** is "12" and Precode "15" is selected in screen **LOCATION_NEAR_HOME**.) Nothing else happened; no one was present. Accept the incident as is.

- 2) If the Precode in **LOCATION_GENERAL** is "13"- "17" or "36," determine if any other NCVS crime happened in addition to the theft. See Section 2, subsection D, pages 4 through 7 for descriptions of what is an NCVS crime.

- a) If there is another crime other than the theft, delete the theft by changing screen **THEFT** to "2," and enter "2" in screen **ATTEMPTTHEFT**. The CAPI instrument automatically deletes the entries in screens **WHATWASTAKEN** through **RECOVEREDINSURANCE**.

Example: A 9 year old household member's bike was stolen from the parking lot of the mall. (**LOCATION_GENERAL** is "15" and Precode 29 is entered in screen **LOCATION_PARKING**). His 14 year old brother was present and was attacked during the incident. The 14 year old reported the attack and the theft of the bike. Keep the information about the attack of the 14 year old brother. Delete the theft of the bike that belonged to the 9 year old. Enter "2" in screens **THEFT** and **ATTEMPTTHEFT**.

- b) If the theft is the only NCVS crime that occurred, delete the incident as "Out-of-Scope."

Example: A 9 year old household member's bike was stolen from the yard of a neighbor's home. (**LOCATION_GENERAL** is "13" and Precode "19" is entered in screen **LOCATION_OTHER_HOME**.) Nothing else was stolen; no one was present. Delete the incident as an "Out-of-Scope" incident.

PROJECT 7523008 10-30-09
7523008-909-C
SECTION 2

- b If in doubt, enter Referral Code 32 and/or 13 and refer to HQ.
- 3 If the Precode in screen **WHOOWNEDSTOLENPROPERTY** is "5," take the following steps to correct the report:
 - a Review the Summary and the "Specify" entry for this screen.
 - b Reclassify this entry to one of the precoded categories, if possible.

Example: The Summary states that the stolen property actually belongs to a nonhousehold member. Change item **WHOOWNEDSTOLENPROPERTY** from Precode "5" to Precode "4." Then, follow the instructions above for resolving these incidents.

- c If the "Specify" entry or Summary indicates that the stolen property belongs to the respondent AND a nonhousehold member, take the following steps to correct the report:
 - 1) If the Summary gives a breakdown of the property owned by the respondent AND owned by the nonhousehold member, delete the property and the value of that property that belonged to the nonhousehold member from screen **WHATWASTAKEN** and screen **PROPERTYVALUE**, if possible. This information is often noted in the Summary. Change screen **WHOOWNEDSTOLENPROPERTY** to Precode "1," "2," or "3."

Example: The respondent's garage was broken into. Several items were stolen. The stolen property included the respondent's tools valued at \$100 and a boat belonging to a nonhousehold member. The value of the boat was \$250. Delete the boat from screen **WHATWASTAKEN**. Change screen **WHOOWNEDSTOLENPROPERTY** to Precode (1), "Respondent only." Change the value in screen **PROPERTYVALUE** to \$100.

- 2) If the Summary or the entry does not give the breakdown of the property owned by the respondent and owned by the nonhousehold member, enter Referral Code 11 and refer to HQ.

Example: The respondent's garage was broken into. Several items were stolen. The stolen property included the respondent's tools and a boat belonging to a nonhousehold member. Delete the boat from screen **WHATWASTAKEN**. Change screen **WHOOWNEDSTOLENPROPERTY** to Precode (1), "Respondent only." Do not edit the value in screen **PROPERTYVALUE**.

PROJECT 7523008 10-30-09
7523008-909-C
SECTION 2

- d If in doubt, enter Referral Code 11 and refer to HQ.

- 5 If in doubt, enter Referral Code 11 for a nonhousehold property problem, Referral Code 20 for a recognized business property problem, and/or Referral Code 32 for a theft or attempted theft problem and refer to HQ.

PROPERTYVALUE (Value of Stolen Property)

The FR should have entered the value of the stolen property, excluding any stolen cash, checks, or credit cards. Noting this, edit as follows:

- 1 If there is any indication that the amount entered is only the value of the stolen checks or credit cards, delete the entry.

- 2 If there is any indication that the amount entered is the value of the stolen property plus the face value of checks or credit cards:
 - a Change the entry to the value of the property only.

 - b If the value of the property cannot be determined, delete the entry in screen **PROPERTYVALUE**.

- 3 If there is any indication that the amount entered includes the value of the nonhousehold property, examine the Summary and Notes to see if you can determine what that value is and subtract that amount from the amount entered. If unable to determine, enter Referral Code 11 to refer to HQ.

- 4 If the screen **PROPERTYVALUE** is blank, or a blind “Don’t Know” or a blind “Refused” was entered, and an entry should have been made, examine the Summary and any other Notes to try to determine what the entry should be. If able to determine, enter that amount. If unable to determine, enter Referral Code 24 to refer to HQ.

RECOVEREDCASHVALUE (Value of Recovered Property)

If there is any indication that the amount entered does not include the value of the recovered property, edit as follows:

- 1 Change the entry to include the value of the property recovered.

- 2 If the value of the recovered property cannot be determined, delete the entry in screen **RECOVEREDCASHVALUE**.

PROJECT 7523008 10-30-09
7523008-909-C
SECTION 2

REASONREPORT (Reason Incident Reported To The Police)

If Precode (11), "Stop or prevent THIS incident from happening" is selected and the respondent was not present (**HHMEMBERPRESENT** = "2") follow the instructions below.

- 1 If only Precode "11" is selected, deselect Precode "11" and then select Precode "22."
- 2 If Precode "11" is selected in conjunction with other precodes, deselect Precode "11." If Precode "11" is also selected in the screen **REPORTIMPORTANT**, delete the entry in **REPORTIMPORTANT**.

SERIESNUMTIMES (Number Of Times In This Series)

If this screen appears and the incident has not already been referred as a "series of incidents," enter Referral Code 28 and refer to HQ.

F. VERIFICATION

Verify the editing/coding operation on a 100% basis. Follow the instructions for reviewing incidents as specified in Section 2, Subsections A through E.

- 1 Verifiers are not allowed to verify their own work.
- 2 Verify as specified in the clerical E/C instructions.
- 3 When entering a case, during the Verification Stage, please note any referral reasons already entered for an incident. If an incident has already been referred there will be a referral code (2 – 40) in the column labeled "REF CODE" in the screen **INCROSTER_EC**.
 - a If during your review of the incident you agree with the referral reason, you do not need to re-enter that referral reason.
 - b If during your review of the incident you determine another reason to refer the incident, follow the procedures for referring incidents to HQ, as specified in Section 1, Subsection I.
 - c If during your review of the incident you disagree with the referral reason, complete your review of all incidents in the case. In the Notes section of WebCATI discuss any discrepancies between the first round review and the verification review.

PROJECT 7523008 10-30-09
7523008-909-C
SECTION 2

G. DISPOSITION

- 1 The NPC is to notify Kathryn Cheza, DSD/CSB, at 301 - 763 - 3925 (or via e-mail), when editing and coding is completed through verification.
- 2 If there are any questions regarding this procedure, contact Kathryn Cheza.
- 3 If the monthly closeout cannot be met, notify Kathryn Cheza as soon as possible.
- 4 If problems are encountered accessing cases (i.e. cases are locked or are already in use), notify Kathryn Cheza as soon as possible.

PROJECT 7523008
7523008-909-C
SECTION 1

ATTACHMENT A-1

**LIST OF CRIME RECLASSIFICATION CODES AND
LIST OF REFERRAL REASON CODES**

Crime Reclassification Codes for the Catchall Questions

11	Rape	24	Vandalism (Against Household or Household Member's Property)
12	Attempted Rape	25	Prowlers/Peeping Toms
13	Robbery	26	Crime Against Household, Other than Above
14	Attempted Robbery/Threatened Robbery	27	Not a Crime
15	Assault	28	Crime Against Someone Else or Society
16	Attempted Assault/ Threatened Assault	29	Unable to Classify
17	Burglary	30	Unwanted Sexual Contact Against a Household Member (with & without force)
18	Attempted Burglary	31	Hate Crime Against Household
19	Larceny (Household or Personal)	32	Cybercrime Against Household
20	Attempted Larceny (Household or Personal)	33	Identity Theft Against Household
21	Motor Vehicle Theft		
22	Attempted Motor Vehicle Theft		
23	Motor Vehicle Accident		

PROJECT 7523008
7523008-909-C
SECTION 1

ATTACHMENT A-2

List of Referral Reasons

1. Refused Screeners	17. Fraud
2. Where Happened	18. Incident Out-of-Scope
3. Missing Incident	19. Duplicates
4. Household Respondent Under 18	20. Commercial Crime/Recognizable Business
5. Unacceptable Proxy	21. NCVS Crime
6. Presence	22. Telephone Threats
7. Rape/Sexual Assault	23. Peeping Tom/Exhibitionist/Arson
8. Name Entered in HHMEMHARMED_NAMES	24. Miscellaneous (Kidnapping/Hit & Run)
9. Catch-All Codes	25. Should Not Have Been Referred
10. Weapon	26. Entrusted/Borrowed Property
11. NonHousehold Property/Joint Property	27. More than One Screener Refused – Type A or Type Z
12. Vandalism	28. Series of Incidents
13. Child in HH Under 12/Bike or Toy Stolen	30. Personal Crime w/Contact Reported By Person Other than Victim
14. What Actually Happened	31. Attempted Attack & Attack Except Boxes 22 and 24
15. Threat/Try Attack	32. Theft & Attempted Theft Problems
16. Police Officer Offender	39. Race Equals Other - Specify
	40. Delete Incident

PROJECT 7523008
7523008-909-C
SECTION 1

ATTACHMENT B-1

INSTRUCTIONS FOR EDITING CONTROL CARD SCREEN **RACE**

A INTRODUCTION

The precoded race categories for screen **RACE** are: (1), “White”; (2), “Black, or African American”; (3), “American Indian or Alaska Native”; (4), “Asian”; (5) “Native Hawaiian or Other Pacific Islander”; and (6), “Other-specify.” In addition to allowing multiple-race reporting, the race question also allows for write-in entries to describe the race when Precode (6), “Other-specify” is selected.

At the request of our sponsor, the Bureau of Justice Statistics (BJS), all write-in entries of race must be reviewed, when “Other-specify,” Precode (6) is selected, in order to determine if the “other race” can be classified into one of the five precoded race categories. To accommodate this request, the E/C instrument will display the screen **RACEROSTER_EC** when Precode (6) “Other-specify” is selected in the **RACE** screen. The **RACEROSTER_EC** displays the line number under the header (“LNO”), respondent’s name, relationship to the reference person (“REL”), Hispanic origin (“ORG”), the selected race precode (“RACE”), and the other specified race (“RACE SPECIFY”). It is this information you will review and edit as described in Section C of this attachment. This screen allows the NPC coder to reclassify the race entry specified in the “RACE-SPECIFY” column, if necessary, to one of the five precoded race categories.

B SITUATIONS FOR WHICH THE **RACEROSTER_EC** SCREEN WILL APPEAR IN THE E/C INSTRUMENT

This screen will appear only when one or more respondents on the household roster selected Precode 6 in the screen **RACE**, regardless if they reported incidents. Only respondents on the household roster who reported a race other than or in addition to one of the five precoded race categories can be edited at the **RACEROSTER_EC** screen.

C REVIEWING AND EDITING THE OTHER RACE WRITE-IN ENTRIES

- 1 When screen **RACEROSTER_EC** appears, review the “Other-specify” write-in entry(ies) listed in the “RACE SPECIFY” column for each person.
- 2 Use the situational guidelines in the table on the next two pages to determine how to edit the “Other-specify” race for each respondent, when necessary. If in doubt, refer the case to HQ.

PROJECT 7523008
 7523008-909-C
 SECTION 1

ATTACHMENT B-2

- 3 If you are able to recode all of the write-in race entries, enter the appropriate Precode(s) 1-5 and delete Precode 6.
 6. If the appropriate Precode 1-5 is already selected, you only need to remove Precode 6.
 - a When able to recode all of the write-in entries: If “Hispanic” and “Indian (Non-Native American)” are the write-in race entries and Precode (6) is the only precode selected, deselect Precode (6) and select Precode (1) “White” for “Hispanic” and Precode (4) “Asian” for “Non-Native American.”
 - b When able to recode all of the write-in entries and those categories are already selected: If Precodes (1) and (4) are selected and Precode (6) is also marked with write-in entries of “Hispanic” and “Indian (Non-Native American),” keep Precodes (1) and (4) and deselect Precode (6).
- 4 If only part of the write-in entry can be recoded, recode what you can to the appropriate precode and leave Precode (6) filled. For example, if “Hispanic” and “American” are the write-in entries, recode “Hispanic” to Precode (1) and leave the “Other-specify” Precode (6) as is.
 - 5 If you are in doubt or cannot recode the “Other-specify” entry refer to HQ using Referral Code 39.
- 6 After editing the respondent’s race codes, when applicable, the instrument will progress to any catchall questions. Please refer to Section 1, Subsection E5, for the order in which the instrument progresses through any additional “Other-specify” race entries and “Catchall” questions for a household.

SITUATION	IF WRITE-IN ENTRY(IES) IS/ARE:	THEN:
1	“Refused,” “R,” “Ref,” “Blind Refusal,” (which is displayed as a blue exclamation point) OR “Don’t Know,” “D,” “DK”	Delete Precode (6) and then continue to edit.
2	“None of your business” OR “None of the above”	Delete Precode (6) and then continue to edit.
3	“Human Race,” “Bi-racial,” “Dual,” “Mixed”	Delete Precode (6) and then continue to edit.
4	“Cuban,” “Dominican,” “Hispanic,” “Latino,” “Mexican,” “Puerto Rican,” OR “Spanish”	Recode to Precode (1), “White” and deselect Precode (6).

PROJECT 7523008
 7523008-909-C
 SECTION 1

ATTACHMENT B-3

SITUATION	IF WRITE-IN ENTRY(IES) IS/ARE:	THEN:
5	Blank (No write-in entry)	Refer to HQ; Referral Code 39.
6	Single or multiple entry(ies) are not listed in situations 1 - 5 of this table.	<p>(SINGLE OR MULTIPLE ENTRY(IES))</p> <p>Review the “Race Recode List” in this attachment. If <u>all</u> of the write-in entries (single entry or multiple entries) are listed on the “Race Recode List,” delete Precode (6). Then select the corresponding Race category(ies), Precode (1) through (5), from the “recode” column on the “Race Recode List” table in Section D and continue to edit.</p> <p>If none of the write-in entries (single entry or multiple entries) are listed on the “Race Recode List,” refer to HQ and then continue to edit.</p> <p>(MULTIPLE ENTRIES)</p> <p>Review the “Race Recode List” in this attachment. If only <u>some</u> of the entries are listed on the “Race Recode List,” recode those write-in entries by selecting the appropriate race category(ies), Precode (1) through (5) from the “recode” column on the “Race Recode List” table in Section D. Leave Precode (6) as a selected race.</p> <p>Since there are some remaining write-in entries that cannot be recoded, refer these cases to HQ and continue to edit.</p>

- 7 Basic racial and ethnic categories are defined as follows:
- a “**White**” - A person having origins in any of the original peoples of Europe, North Africa, or the Middle East.
 - b “**Black**” - A person having origins in any of the black racial groups of Africa.

PROJECT 7523008
7523008-909-C
SECTION 1

ATTACHMENT B-4

- c **“American Indian or Alaskan Native”** - A person having origins in any of the original peoples of North America, and who maintains cultural identification through tribal affiliations or community recognition.

- d **“Asian or Pacific Islander”** - A person having origins in any of the original peoples of the Far East, Southeast Asia, Indian subcontinent, or the Pacific Islands. This area includes, for example, China, India, Japan, Korea, the Philippine Islands, and Samoa.

- e **“Hispanic”** - A person of Mexican, Puerto Rican, Cuban, Central or South American or other Spanish culture or origin, regardless of race. For the NCVS, “Hispanic” should be coded as “White”.

D RACE CODE LIST

Use the chart below to recode cases falling under situation 6 in the table on the preceding page, regardless of race entries already selected. Unless a race category is already selected (Precodes 1–5), key the precode for the race that corresponds to the write-in entry using the chart below. For example, if the write-in entry is “Aleut,” select Precode (3) “American Indian/Alaska Native.” Depending on whether there are other write-in entries you may also be required to delete Precode (6). Refer to the table on the preceding pages for specific situations and edit procedures for these situations.

NOTE: The “Race Recode List” is listed alphabetically by the write-in entry.

PROJECT 7523008
 7523008-909-C
 SECTION 1

ATTACHMENT B-5

Race Recode List	
If the “Other-specify” write-in entry is...	Then recode to race category:
African Nation, Ethnic Group, or Tribe	2 (Black or African American)
African American	2 (Black or African American)
Afro American	2 (Black or African American)
Alaska Native	3 (American Indian/Alaska Native)
Aleut	3 (American Indian/Alaska Native)
American Indian	3 (American Indian/Alaska Native)
Anglo-Saxon	1 (White)
Arab	1 (White)
Asian Indian	4 (Asian)
Asian	4 (Asian)
Black	2 (Black or African American)
Cambodian	4 (Asian)
Caucasian	1 (White)
Chamorro	5 (Native Hawaiian/Other Pacific Islander)
Chinese	4 (Asian)
Eskimo	3 (American Indian/Alaska Native)
European	1 (White)
Filipino	4 (Asian)
German	1 (White)
Greek	1 (White)
Guamanian	5 (Native Hawaiian/Other Pacific Islander)
Haitian	2 (Black or African American)
Indian (non-Native American)	4 (Asian)
Italian	1 (White)
Jamaican	2 (Black or African American)
Japanese	4 (Asian)

PROJECT 7523008
 7523008-909-C
 SECTION 1

ATTACHMENT B-6

Race Recode List (Continued)	
If the “Other-specify” write-in entry is...	Then recode to race category:
Kenyan	2 (Black or African American)
Korean	4 (Asian)
Lebanese	1 (White)
Malaysian	4 (Asian)
Native Hawaiian	5 (Native Hawaiian/Other Pacific Islander)
Native American	3 (American Indian/Alaska Native)
Near-Easterner	1 (White)
Negro	2 (Black or African American)
Nigerian	2 (Black or African American)
Other Pacific Islander	5 (Native Hawaiian/Other Pacific Islander)
Pakistani	4 (Asian)
Polish	1 (White)
Samoan	5 (Native Hawaiian/Other Pacific Islander)
Scotch-Irish	1 (White)
Vietnamese	4 (Asian)
West Indian	2 (Black or African American)
White	1 (White)

PROJECT 7523008
7523008-909-C
SECTION 1

ATTACHMENT C-1

INSTRUCTIONS FOR CRIME INCIDENT REPORT SCREEN **WEAPON**

If Precode 4, 5, or 6 is selected in the screen **WEAPON**, edit as outlined in this attachment.

A GENERAL INSTRUCTIONS

- 1 Examine the Summary and any Notes made by the FR to help determine the appropriate entries.
- 2 If the weapon cannot be determined, but Precode 4 and/or 5 is selected, accept the weapon.
- 3 If the weapon is any object not listed in Weapon Types 1 through 3 in Section B of this attachment, enter Referral Code 10 and refer the incident to HQ.
- 4 If you have any doubts about an entry, also use Referral Code 10 and refer the incident to HQ.

PROJECT 7523008
 7523008-909-C
 SECTION 1

ATTACHMENT C-2

B WEAPON ENTRY TYPES

Using the charts below, determine the Weapon Entry Type (1-3), then edit screens **WEAPONPRESENT** through **MEDICALEXPENSES** according to the instructions provided for that type of weapon entry. If in doubt, refer the incident to HQ.

1 **TYPE 1** - If the weapon is any object listed below, consider the object to be a Type 1 entry and follow the instructions for Type 1 edits in Section C.

	acid		cake cutter		knife	1/	shovel
	afro combs		chains		lye	1/	stick
	ash trays	1/	chair		night stick		straight razor
	axe		club		nunchucks (martial arts weapon, consisting of a chain between two sticks)		tire iron
1/	baseball bat		crowbar		pipe	1/	tree limb
1/	belt	1/	darts		pitchfork		wrench
	billy club		explosives		pliers	1/	Unknown (weapon present, but victim not sure what it was)
	blackjack	1/	glass		poison		
1/	board		gun	1/	pool stick		
	bombs		hammer	1/	rake		
1/	bottle		hatchet	1/	rock		
	brass knuckles		ice pick		scissors		
1/	brick		jack handle	1/	screw driver		
	broom		karate rope		shoe (held in hand)		

1/ *If there is an indication that the object was thrown, follow the instructions provided for Type 2 edits in Section C.*

PROJECT 7523008
 7523008-909-C
 SECTION 1

ATTACHMENT C-3

- 2 **TYPE 2** - If the entry is any object listed below and there is an indication that it was thrown, follow the instructions provided for Type 2 edits in Section C.

baseball bat	chair	rock
belt	darts	screw driver
board	glass	shovel
bottle	pliers	stick
brick	pool stick	tree limb
broom	rake	unknown

- 3 **TYPE 3** - If the entry is any object listed below, do not consider the object to be a weapon and follow the instructions provided for Type 3 edits in Section C.

animals (dog, cat, etc.)	mace	tear gas gun
BB guns (unless used as a club)	part of the body (hands, feet, etc.)	water balloons
Chloroform	small empty can/bottle (no injury)	taser/ stun gun
food	tear gas	

PROJECT 7523008
7523008-909-C
SECTION 1

ATTACHMENT C-4

C DETAILED INSTRUCTIONS

1 TYPE 1 EDITS

- a If the victim was actually attacked (**ATTACK** = 1, or **HOWATTACK** = 11-14, 16-17, 19-20, or 22-24, or **INJURY** = 12-21), edit **WEAPONPRESENT** through **MEDICALEXPENSES** as follows:
 - 1) **WEAPONPRESENT** - Verify that Precode 1 is entered, or correct as necessary.
 - 2) **WEAPON** - Verify that Precode 4, 5, or 6 is entered, or correct as necessary.
 - 3) **ATTACK** - Verify that Precode 1 is entered, or correct as necessary.
 - 4) **HOWATTACK** through **MEDICALEXPENSES** - Accept all entries.

- b If the victim was not actually attacked, but an attempt was made (**TRYATTACK**=1, **HOWTRYATTACK** = 11-24, or **HOWATTACK** = 15, 18 or 21 only), edit as follows:
 - 1) **WEAPONPRESENT** - Verify that Precode 1 is entered, or correct as necessary.
 - 2) **WEAPON** - Verify that Precode 4, 5, or 6 is entered, or correct as necessary.
 - 3) **ATTACK** - Verify that Precode 2 is entered, or correct as necessary.
 - 4) **TRYATTACK** - Verify that 1 is entered, or correct as necessary.
 - 5) **HOWTRYATTACK** - Verify that appropriate codes are entered, or correct as necessary. If there are entries in **HOWATTACK** then code **HOWTRYATTACK** using the following conversion:
 - a) If **HOWATTACK** = 15, select Precode 18 in **HOWTRYATTACK**.
 - b) If **HOWATTACK** = 18, select Precode 19 in **HOWTRYATTACK**.
 - c) If **HOWATTACK** = 21, select Precode 20 in **HOWTRYATTACK**.

PROJECT 7523008
7523008-909-C
SECTION 1

ATTACHMENT C-5

- c If the victim was not actually attacked but was threatened (**THREATEN**=1, **HOWTHREATEN** = 11-17 or 22, or **HOWATTACK** indicates that the victim was not actually attacked, but an attempt was made), edit as follows:
 - 1) **WEAPONPRESENT** - Verify that Precode 1 is entered, or correct as necessary.
 - 2) **WEAPON** - Verify that Precode 4, 5, or 6 is entered, or correct as necessary.
 - 3) **ATTACK** through **TRYATTACK** - Verify that Precode 2 is entered, or correct as necessary.
 - 4) **THREATEN** - Verify that Precode 1 is entered, or correct as necessary.
 - 5) **HOWTHREATEN** - Verify that Precode 11-17 or 22 is entered, or correct as necessary.

 - d If the object was used only to gain access into a building or motor vehicle, and no personal confrontation occurred between the offender and the victim, edit as follows:
 - 1) **WEAPONPRESENT** - Select Precode 2.
 - 2) **ATTACK** through **THREATEN** - Verify that Precode 2 is entered, or correct as necessary.
 - 3) **WHATHAPPEN** - Verify that the appropriate codes are entered, or correct as necessary.
- 2 TYPE 2 EDITS
- a If the object was thrown at the victim.
 - 1) Consider the object a weapon and the victim attacked if:
 - a) The victim was injured (**INJURY** = 12-21) AND the offender is at least 12 years of age, or the age of the offender is unknown (**SINGOFFENDERAGE**, **MULTOFFENDERYOUNG**, **MULTOFFENDEROLD** = 2-7)

PROJECT 7523008
7523008-909-C
SECTION 1

ATTACHMENT C-6

- b) The victim was seriously injured (**INJURY** = 15-20) and the offender is any age.

NOTE: If the offender is under 12 years of age and the victim was not seriously injured, see instructions in paragraph C2a(2)(b), Attachment C-6.

Edit **WEAPON** through **MEDICALEXPENSES** as follows:

1. **WEAPON** - Verify that Precode 4, 5, or 6 is entered, or correct as necessary.
 2. **ATTACK** - Verify that Precode 1 is entered, or correct as necessary.
 3. **HOWATTACK** through **MEDICALEXPENSES** - Accept all entries.
- 2) Do not consider the object to be a weapon, but consider an attempted attack on the victim or the victim threatened with harm if the offender is at least 12 years of age and the victim is not injured.

NOTE: If age of offender cannot be determined, consider the offender to be at least 12 years of age.

- a) If the victim was not attacked in some other way (**HOWATTACK** = 20 only, or 24 indicates a thrown object, only), edit screens as follows:

1. **WEAPONPRESENT** - Select Precode 2.
2. **ATTACK** - Verify that 2 is entered, or correct as necessary.
3. **TRYATTACK** or **THREATEN** - Verify that 1 is entered, or correct as necessary.
4. **HOWTRYATTACK** or **HOWTHREATEN** - Verify that 21 is entered, or correct and accept any entries in 11-16, 21-24. Delete Precodes 17, 18, 19, and/or 20 if entered.

- b) If the victim was attacked in some other way (Precode 20 and/or any other precodes are entered in **HOWATTACK**), edit screen **WEAPONPRESENT** through **MEDICALEXPENSES** as follows:

PROJECT 7523008
7523008-909-C
SECTION 1

ATTACHMENT C-7

1. **WEAPONPRESENT** - Select Precode 2.
 2. **ATTACK** - Verify that 1 is entered, or correct as necessary.
 3. **HOWATTACK** through **MEDICALEXPENSES** - Accept all entries.
- b If the object was thrown at a house or car or if the offender is under 12 years of age and the victim was not seriously injured:
- 1) Follow the instructions in 2a (Attachment C-5) for objects thrown at the victim if there is evidence that a serious attempt was made to attack or injure a person in the house or car. For example:
 - a) Respondent's ex-husband throws bricks through the window by which respondent is standing.
 - b) The car in which respondent is riding is repeatedly bombarded with rocks and bottles during a street riot.
 - c) The offender is deliberately trying to injure the victim or cause him to lose control of his car by throwing object(s) at the car.
 - 2) If the victim was not attacked or threatened in some other way, including attempted attacks, edit as follows:
 - a) **WEAPONPRESENT** - Select Precode 2.
 - b) **ATTACK** through **THREATEN** - Verify that 2 is entered, or correct as necessary.
 - c) **WHATHAPPEN** - Accept all entries.
 - 3) If the victim was attacked in some other way, edit screens **WEAPONPRESENT** through **MEDICALEXPENSES** as follows:
 - a) **WEAPONSPRESENT** - Select Precode 2.
 - b) **ATTACK** - Verify that 1 is entered, or correct as necessary.
 - c) **HOWATTACK** through **MEDICALEXPENSES** - Accept all entries.

- 4) If the victim was not attacked, but was threatened in some other way, edit as follows:
 - a) **WEAPONPRESENT** - Select Precode 2.
 - b) **ATTACK** through **TRYATTACK** - Verify that 2 is entered, or correct as necessary.
 - c) **THREATEN** - Verify that 1 is entered, or correct as necessary.
 - d) **HOWTHREATEN** - Accept any entries in 11-16, 21-24. Delete entries of 17, 18, 19 and/or 20.

3 TYPE 3 EDITS

- a If the victim was actually attacked (**ATTACK** = 1, **HOWATTACK** = 11-24, or **INJURY** = 12-21), edit screens **WEAPONPRESENT** through **MEDICALEXPENSES** as follows:
 - 1) **WEAPONPRESENT** - Select Precode 2.
 - 2) **ATTACK** - Verify that 1 is entered, or correct as necessary.
 - 3) **HOWATTACK** through **MEDICALEXPENSES** - Accept all entries.
- b If the victim was not actually attacked but an attempt was made (**TRYATTACK**=1, **HOWTRYATTACK** = 11-23, or **HOWATTACK** = 15, 18 or 21), edit as follows:
 - 1) **WEAPONPRESENT** - Select Precode 2.
 - 2) **ATTACK** - Verify that 2 is entered, or correct as necessary.
 - 3) **TRYATTACK** - Verify that 1 is entered, or correct as necessary.
 - 4) **HOWTRYATTACK** - Verify that appropriate codes are entered, or correct as necessary. If there are entries in **HOWATTACK**, then code **HOWTRYATTACK** using the following conversion:
 - a) If **HOWATTACK** = 15, enter 18 in **HOWTRYATTACK**.

PROJECT 7523008
7523008-909-C
SECTION 1

ATTACHMENT C-9

- b) If **HOWATTACK** = 18, enter 19 in **HOWTRYATTACK**.
- c) If **HOWATTACK** = 21, enter 20 in **HOWTRYATTACK**.
- c) If the victim was not actually attacked, but was threatened (**THREATEN**= 1, **HOWTHREATEN** = 11-24, or **HOWATTACK** indicates that the victim was not actually attacked, but an attempt was made), edit as follows:
 - 1) **WEAPONPRESENT** - Select Precode 2.
 - 2) **ATTACK** through **TRYATTACK** - Verify that 2 is entered, or correct as necessary.
 - 3) **THREATEN** - Verify that 1 is entered, or correct as necessary.
 - 4) **HOWTHREATEN** - Accept entries of 11-16, 21-24. Delete entries of 17, 18, 19 and/or 20.
- d) If the victim was not attacked and not threatened, edit as follows:
 - 1) **WEAPONPRESENT** - Select Precode 2.
 - 2) **ATTACK** through **THREATEN** - Verify that 2 is entered, or correct as necessary.
 - 3) **WHATHAPPEN** - Accept all entries.

Appendix I

How to Use the Weights

A few examples of how to use the weights are given below. Rates and other estimates should be calculated separately for Approaches 1 and 2, since the sample for each approach weights up to the same population.

Example 1. Property crime victimization rate =
$$\frac{\sum_{i=1}^n \text{HHPSTWT}_i * X_i}{\sum_{i=1}^n \text{HHPSTWT}_i} \times 1000$$

where X_i = number of property crime victimizations reported for the i -th household, HHPSTWT_i is the final household weight for the telephone screener, and n is the number of households responding to the household telephone screener ($\text{HHTSCRRESP}=1$). The set of replicate weights to use for variance estimation is $\text{HHREPPSTWT1-HHREPPSTWT80}$.

Example 2. Violent crime victimization rate =
$$\frac{\sum_{i=1}^n \text{FINPERSWT}_i * Z_i}{\sum_{i=1}^n \text{FINPERSWT}_i} \times 1000$$

where Z_i = number of violent crime victimizations reported by the i -th person, FINPERSWT_i is the final person weight for the i -th person, and n is the number of persons responding to the interview ($\text{PERSRESPSTATUS}=1$). The set of replicate weights to use for variance estimation is $\text{FINPERSWT1-FINPERSWT80}$.

Example 3. Total number of victimizations =
$$\sum_{j=1}^n \text{VICTIMWT}_j$$

Where VICTIMWT_j is the victimization weight for the j -th incident considered to be in scope for the NCVS ($\text{INSCOPE}=1$). The set of replicate weights to use for variance estimation is $\text{VICTIMWT1-VICTIMWT80}$.

Example 4.

Percent of violent incidents reported to the police =
$$\frac{\sum_{j=1}^n \text{INCIDENTWT}_j * \text{REPORT}_j}{\sum_{j=1}^n \text{INCIDENTWT}_j} \times 100$$

Where $INCIDENTWT_j$ is the incident weight for the j -th reported incident, n is the total number of violent, inscope incidents reported, and $REPORT_j$ is an indicator (created by the user) of whether the j -th crime was reported to the police based on Q115 from the interview. The set of replicate weights to use for variance estimation is $INCIDENTWT1 - INCIDENTWT80$.

A list of the weights and their corresponding replicate weights is given below:

- HHBASEWT = Household base weight for Approach 1 and for Approach 2 before subsampling nonresponding households for the mail screener (replicate weights HHREPBWT1-HHREPBWT80).
- HHBASEWT2 = Household base weight for Approach 2 after subsampling for nonresponding households for the mail screener (replicate weights HHREPBWT2_1-HHREPBWT2_80).
- HHNRMWT = Household weight after nonresponse-adjustment for the mail screener, Approach 2 (replicate weights HHREPNRMWT1 – HHREPNRMWT80).
- HHNRWT = Household weight after nonresponse adjustment for the telephone screener, Approach 1, 2 (replicate weights HHREPNRWT1 – HHREPNRWT80).
- HHPSMWT = Final poststratified household weight for the mail screener, Approach 2 (replicate weights HHREPPSMWT1-HHREPPSMWT80).
- HHPSTWT = Final poststratified household weight for the telephone screener, Approach 1,2 (replicate weights HHREPPSTWT1 – HHREPPSTWT80).
- WPERSBWT = Within-household person base weight, Approach 1,2.
- PERSTBWT = Overall person base weight = HHPSTWT * WPERSBWT (replicate weights PERSTREPBT1-PERSTREPBT80).
- FINPERSWT = Final raked/trimmed person weight, Approach 1,2 (replicate weights FINPERSWT1-FINPERSWT80).
- VICTIMWT = Victimization weight (replicate weights VICTIMWT1-VICTIMWT80).
- INCIDENTWT= Incident weight (replicate weights INCIDENTWT1-INCIDENTWT80)