



OFFICE OF THE SECRETARY OF DEFENSE
**SEXUAL ASSAULT PREVENTION
AND RESPONSE OFFICE**

Defense Sexual Assault Incident Database (DSAID)

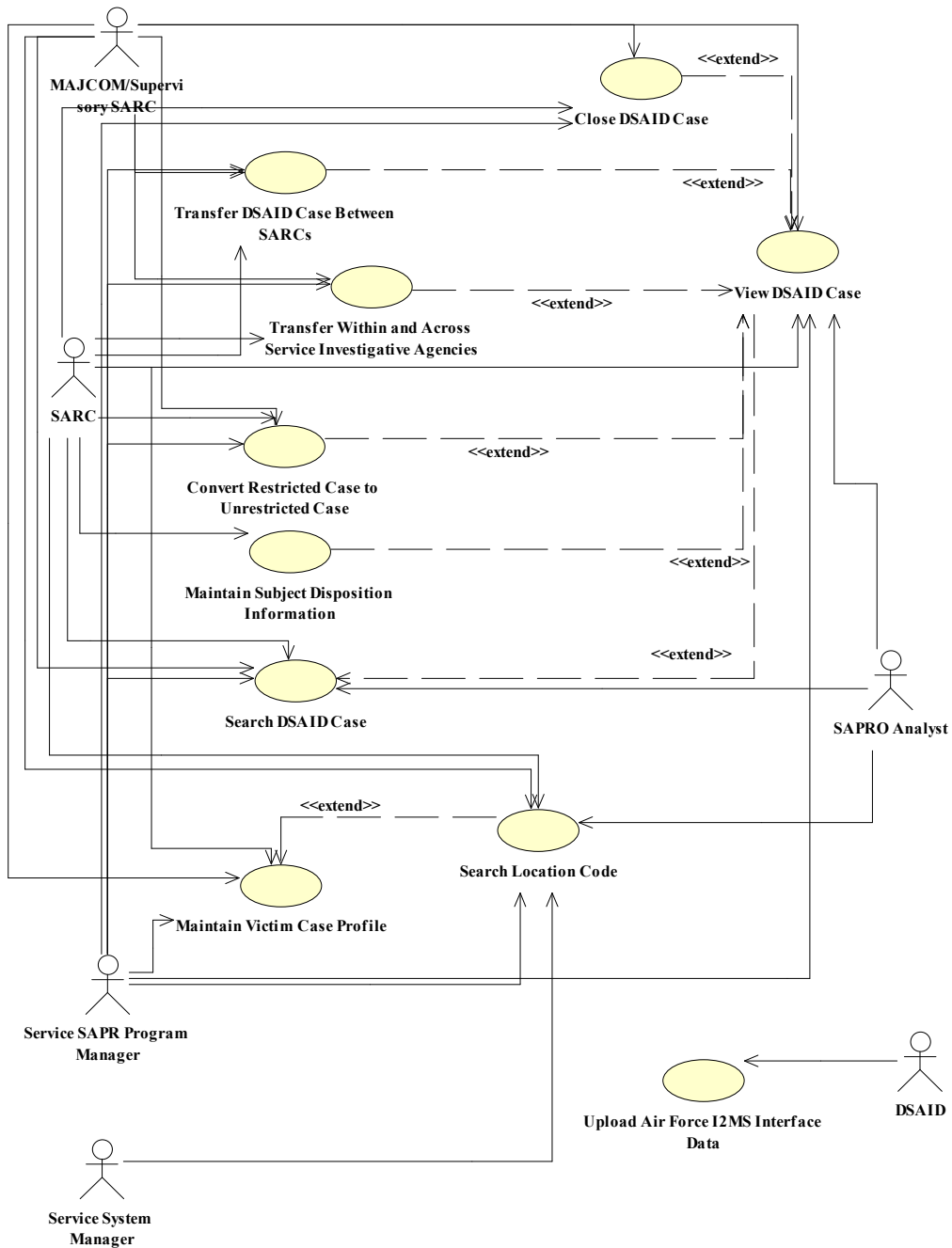
Use Case Models

Version 1.6.3

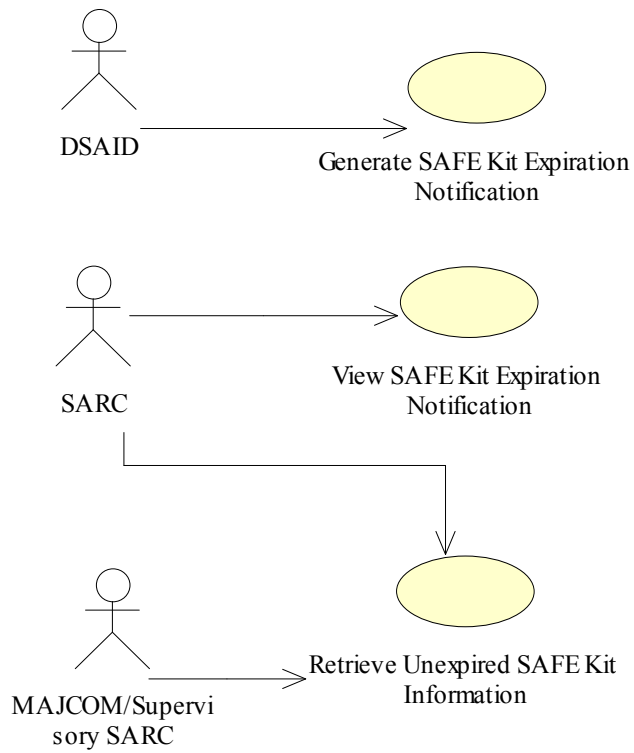
Table of Contents

1	Case Management Use Case Model	3
2	SAFE Kit Related Use Case Model	4
3	Business Management Use Case Model	5
4	User Account Registration and Login Use Case Model	6
5	DoD Reporting Use Case Model	7

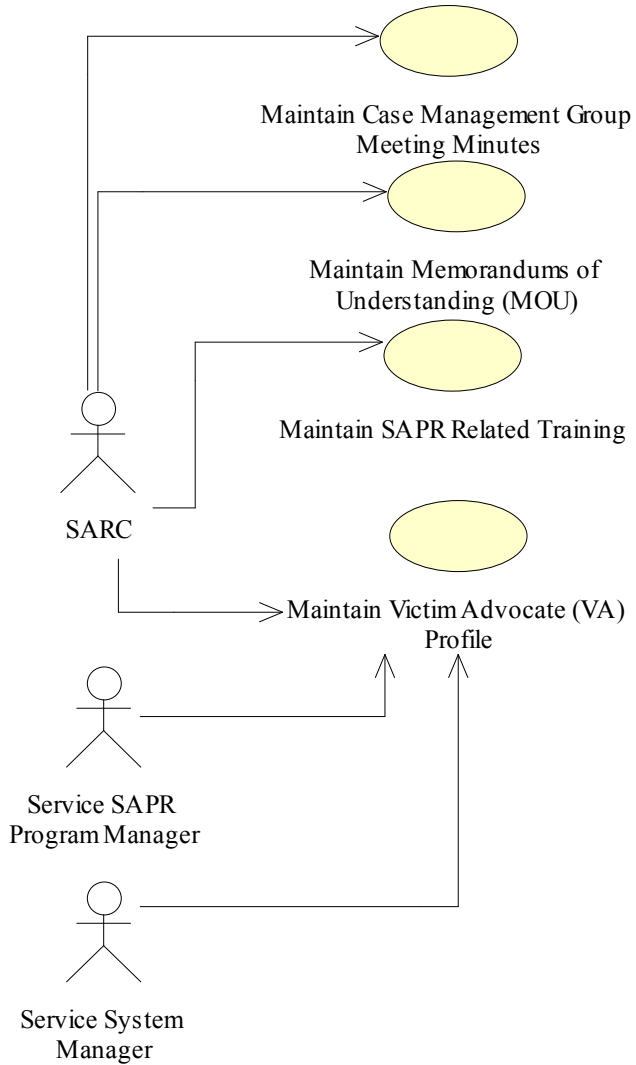
1 Case Management Use Case Model



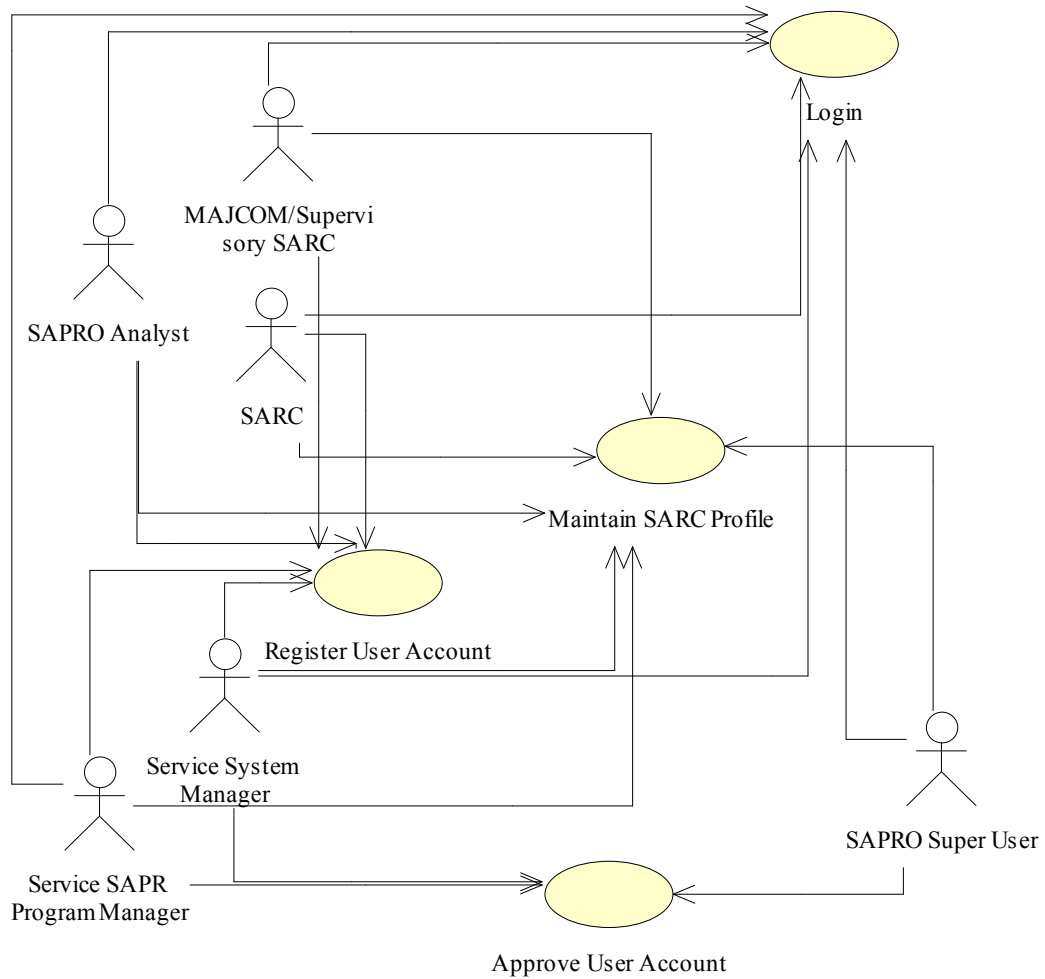
2 SAFE Kit Related Use Case Model



3 Business Management Use Case Model



4 User Account Registration and Login Use Case Model



5 DoD Reporting Use Case Model

