



OFFICE OF THE SECRETARY OF DEFENSE
**SEXUAL ASSAULT PREVENTION
AND RESPONSE OFFICE**

Defense Sexual Assault Incident Database (DSAID)

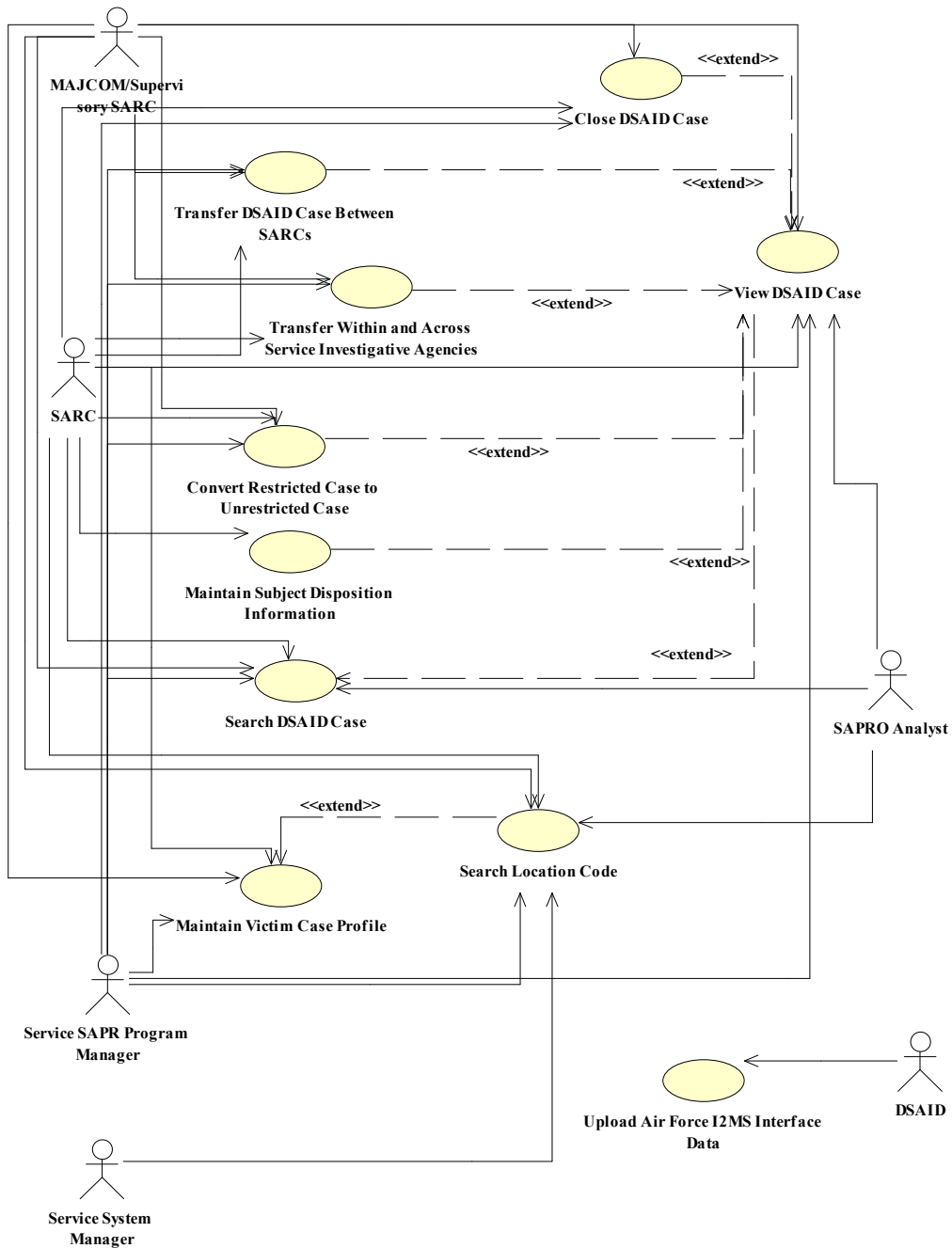
Use Case Models

Version 1.6.3

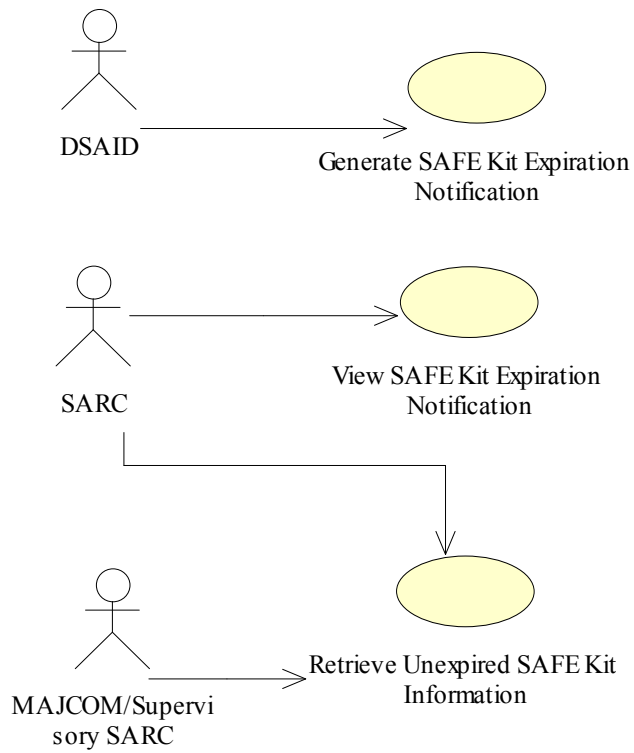
Table of Contents

| | | |
|---|--|---|
| 1 | Case Management Use Case Model | 3 |
| 2 | SAFE Kit Related Use Case Model | 4 |
| 3 | Business Management Use Case Model | 5 |
| 4 | User Account Registration and Login Use Case Model | 6 |
| 5 | DoD Reporting Use Case Model | 7 |

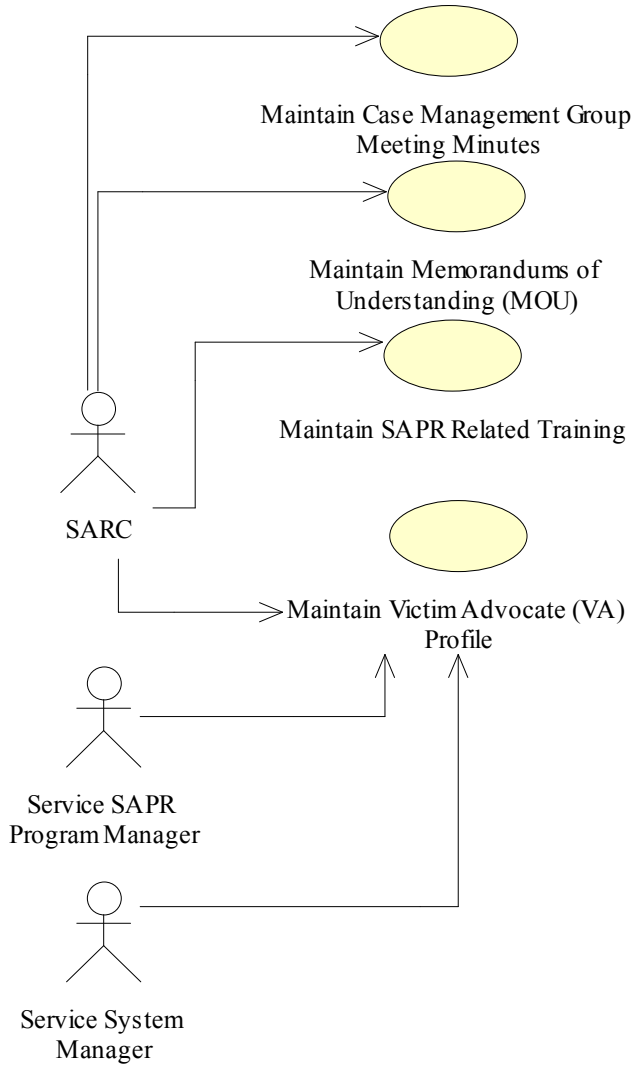
1 Case Management Use Case Model



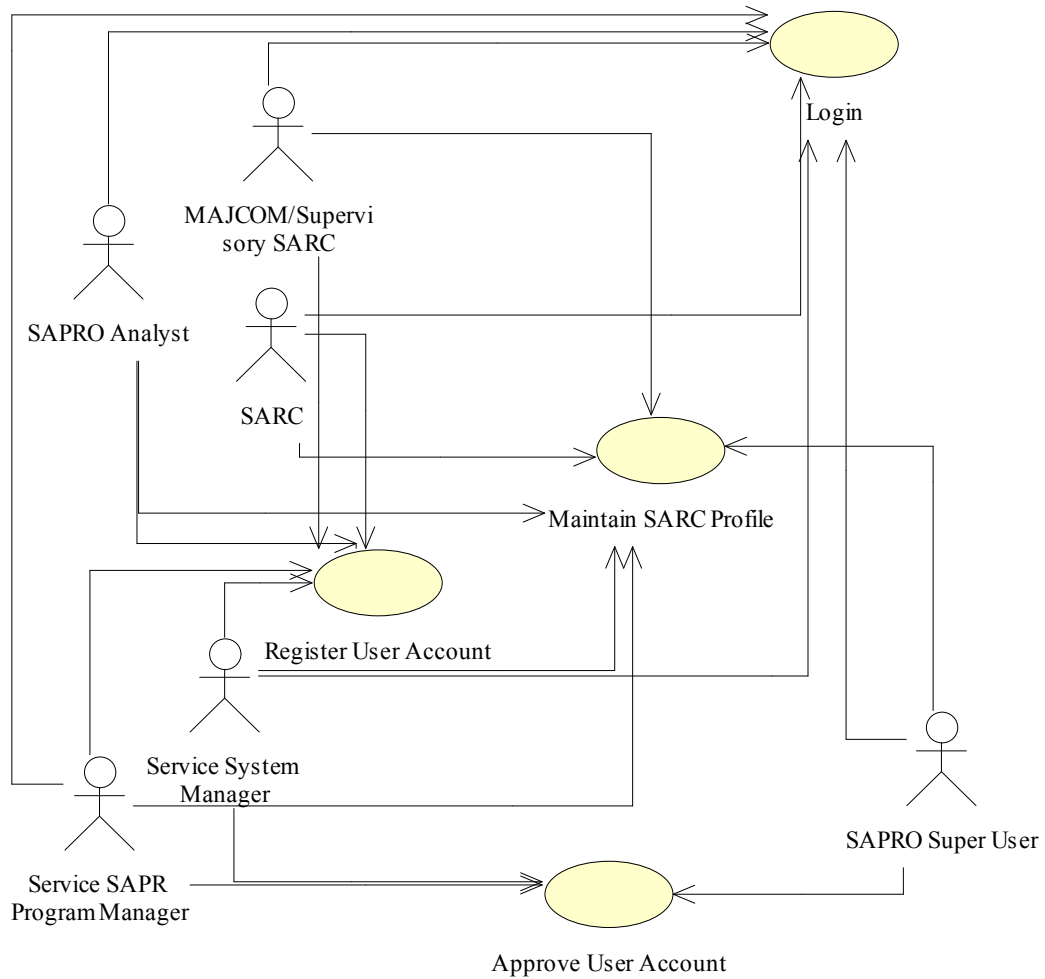
2 SAFE Kit Related Use Case Model



3 Business Management Use Case Model



4 User Account Registration and Login Use Case Model



5 DoD Reporting Use Case Model

