

## Shrimp Bycatch Reduction Device Data Form Instruction

**Trip #:** Document the Trip number generated by the WCGOP database.

**Fish Ticket #:** Document the Fish Ticket number(s) for the Trip.

**1. Double vs Single Rigged:** Check the single rigged box if the vessel was fishing with one net and the double rigged box if the vessel was fishing with two nets.

**Double Rigged** – Ask the skipper if the BRD's are of equal size. If yes, measure one BRD. If no, measure both BRD's.

**2. Style of Grate Observed and Measurements:** Check the box that best describes the BRD being used by the vessel. Below are photo representations of the hard-paneled BRD's. **If the BRD being used is not rigid with bars, it is a soft-paneled BRD.**



**Single-Ringed BRD**

Single circular ring to which bars are attached



**Double-Ringed BRD**

Outer circular ring with inner concentric ring to which bars are attached.

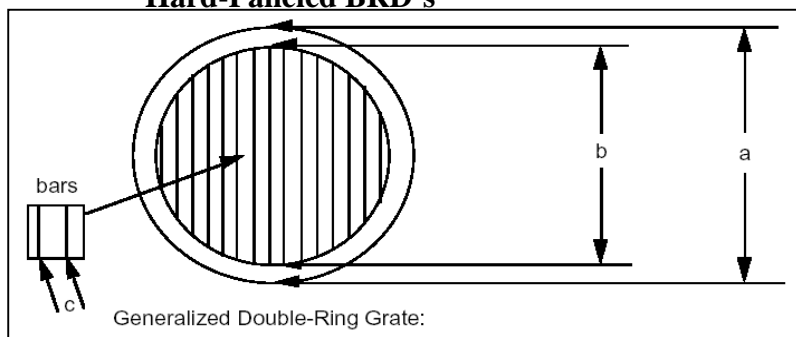


**Folding BRD**

Folds via hinges into hemispheres; usually single ringed

**Make the appropriate measurements, based on the BRD type.** Measurements are to the **whole millimeter (mm)**.

### Hard-Paneled BRD's



#### Hard Grating Measurements

##### Single-Ringed BRD

1. Measure the diameter of the outside ring (a)
2. Measure the distance between the bars at the widest point. (c)

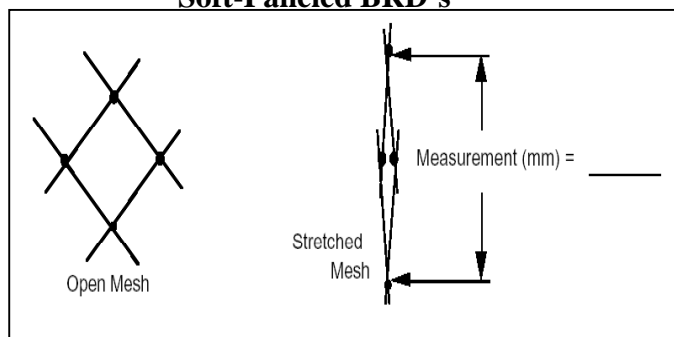
##### Double-Ringed BRD

1. Measure the diameter of the outside ring (a)
2. Measure the diameter of inside ring (b)
3. Measure the distance between the bars at the widest point. (c)

##### Folding BRD

1. Measure the diameter of the outside ring (a)
2. Measure the diameter of inside ring (b) (if double-ringed)
3. Measure the distance between the bars at the widest point. (c)

### Soft-Paneled BRD's



#### Soft Grating Measurements

1. Stretch the mesh in the BRD by pulling two knots away from each other.
2. Measure the distance between the knots, in centimeters.

# BRD Shrimp Vessel Data Form

Trip #

Fish Ticket #

1. Is the vessel single or double rigged?

**Single** (go to question 2)

**Double**

Are the BRD's the same size on both nets?

YES – Measure one BRD

NO – Measure both BRD's

2. What type of BRD is vessel using? Make the appropriate measurements.\*

**Single-Ringed**

**BRD A**

Outside Diameter of Grate: \_\_\_\_\_ mm

Maximum distance between bars: \_\_\_\_\_ mm

**BRD B**

Outside Diameter of Grate: \_\_\_\_\_ mm

Maximum distance between bars: \_\_\_\_\_ mm

**Double-Ringed**

**BRD A**

Outside Diameter of Grate: \_\_\_\_\_ mm

Outside Diameter of Inner ring: \_\_\_\_\_ mm

Maximum distance between bars: \_\_\_\_\_ mm

**BRD B**

Outside Diameter of Grate: \_\_\_\_\_ mm

Outside Diameter of Inner ring: \_\_\_\_\_ mm

Maximum distance between bars: \_\_\_\_\_ mm

**Folding**

**BRD A**

Outside Diameter of Grate: \_\_\_\_\_ mm

Outside Diameter of Inner ring: \_\_\_\_\_ mm

Maximum distance between bars: \_\_\_\_\_ mm

**BRD B**

Outside Diameter of Grate: \_\_\_\_\_ mm

Outside Diameter of Inner ring: \_\_\_\_\_ mm

Maximum distance between bars: \_\_\_\_\_ mm

**Soft-paneled (Mesh)**

**BRD A**

Distance between knots: \_\_\_\_\_ mm

**BRD B**

Distance between knots: \_\_\_\_\_ mm

\*Measure to the nearest millimeter.