

Shrimp Bycatch Reduction Device Data Form Instruction

Trip #: Document the Trip number generated by the WCGOP database.

Fish Ticket #: Document the Fish Ticket number(s) for the Trip.

1. Double vs Single Rigged: Check the single rigged box if the vessel was fishing with one net and the double rigged box if the vessel was fishing with two nets.

Double Rigged – Ask the skipper if the BRD's are of equal size. If yes, measure one BRD. If no, measure both BRD's.

2. Style of Grate Observed and Measurements: Check the box that best describes the BRD being used by the vessel. Below are photo representations of the hard-paneled BRD's. **If the BRD being used is not rigid with bars, it is a soft-paneled BRD.**



Single-Ringed BRD

Single circular ring to which bars are attached



Double-Ringed BRD

Outer circular ring with inner concentric ring to which bars are attached.

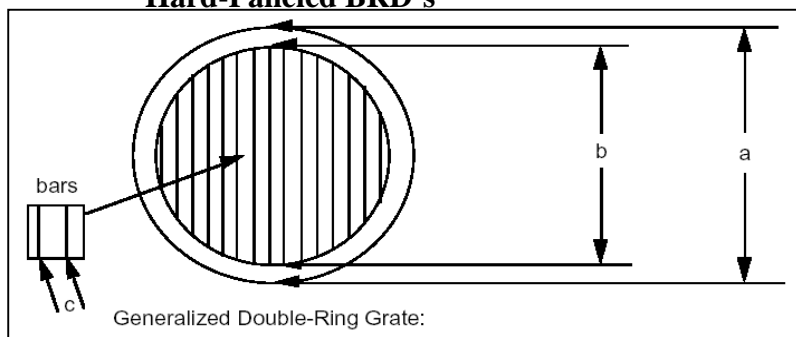


Folding BRD

Folds via hinges into hemispheres; usually single ringed

Make the appropriate measurements, based on the BRD type. Measurements are to the **whole millimeter (mm)**.

Hard-Paneled BRD's



Hard Grating Measurements

Single-Ringed BRD

1. Measure the diameter of the outside ring (a)
2. Measure the distance between the bars at the widest point. (c)

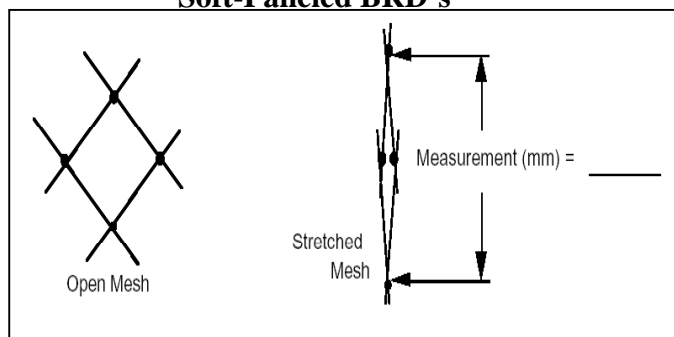
Double-Ringed BRD

1. Measure the diameter of the outside ring (a)
2. Measure the diameter of inside ring (b)
3. Measure the distance between the bars at the widest point. (c)

Folding BRD

1. Measure the diameter of the outside ring (a)
2. Measure the diameter of inside ring (b) (if double-ringed)
3. Measure the distance between the bars at the widest point. (c)

Soft-Paneled BRD's



Soft Grating Measurements

1. Stretch the mesh in the BRD by pulling two knots away from each other.
2. Measure the distance between the knots, in centimeters.

BRD Shrimp Vessel Data Form

Trip #

Fish Ticket #

1. Is the vessel single or double rigged?

Single (go to question 2)

Double

Are the BRD's the same size on both nets?

YES – Measure one BRD

NO – Measure both BRD's

2. What type of BRD is vessel using? Make the appropriate measurements.*

Single-Ringed

BRD A

Outside Diameter of Grate: _____ mm

Maximum distance between bars: _____ mm

BRD B

Outside Diameter of Grate: _____ mm

Maximum distance between bars: _____ mm

Double-Ringed

BRD A

Outside Diameter of Grate: _____ mm

Outside Diameter of Inner ring: _____ mm

Maximum distance between bars: _____ mm

BRD B

Outside Diameter of Grate: _____ mm

Outside Diameter of Inner ring: _____ mm

Maximum distance between bars: _____ mm

Folding

BRD A

Outside Diameter of Grate: _____ mm

Outside Diameter of Inner ring: _____ mm

Maximum distance between bars: _____ mm

BRD B

Outside Diameter of Grate: _____ mm

Outside Diameter of Inner ring: _____ mm

Maximum distance between bars: _____ mm

Soft-paneled (Mesh)

BRD A

Distance between knots: _____ mm

BRD B

Distance between knots: _____ mm

*Measure to the nearest millimeter.